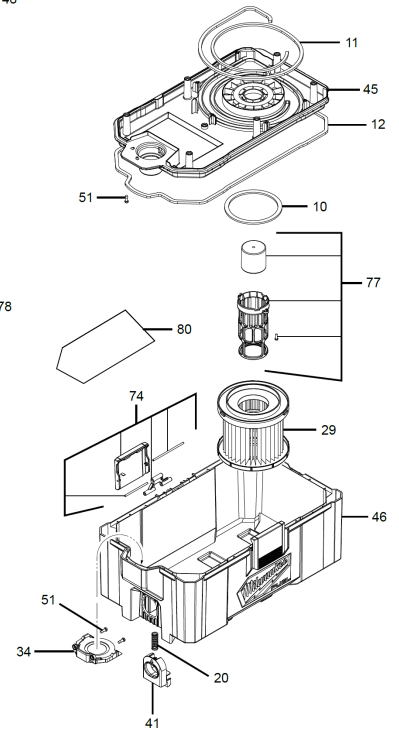
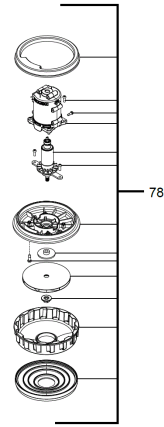
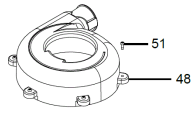
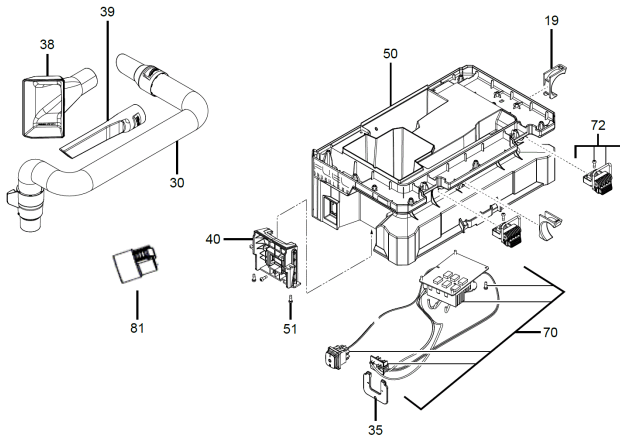
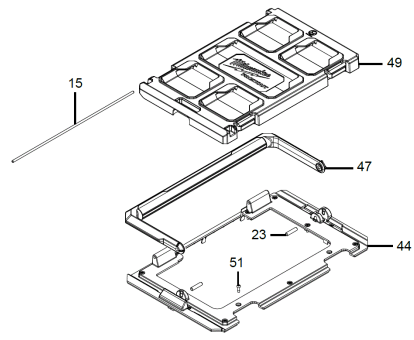


# M18FPOVCL PACKOUT WET DRY VACUUM XXX

4933478187 - M18FPOVCL-0 - 4000477803





Position	Quantity	Description	Part number	EAN
0010	1	SEAL	4931479698	4058546394615
0011	1	SEAL	4931479699	4058546394622
0012	1	SEAL	4931479700	4058546394639
0015	1	PIN	4931479701	4058546394646
0019	2	HOLDER	4931479702	4058546394653
0020	1	SPRING	4931479703	4058546394660
0023	2	PIN	4931479704	4058546394677
0030	1	HOSE	4931479705	4058546394684
0034	1	HOLDER	4931479706	4058546394691
0035	1	HOLDING BRACKET	4931479707	4058546394707
0038	1	COARSE DIRT NOZZLE	4931479708	4058546394714
0039	1	FLAT JET NOZZLE	4931479709	4058546394721
0040	1	RECEPTION PIECE	4931479710	4058546394738
0041	1	LATCH	4931479711	4058546394745
0044	1	COVER	4931479712	4058546394752
0045	1	CONNECTION PLATE	4931479713	4058546394769
0046	1	TANK	4931479714	4058546394776
0047	1	HANDLE	4931479715	4058546394783
0048	1	DIRECT.DUST CHUTE	4931479716	4058546394790
0049	1	COVER	4931479717	4058546394806
0050	1	BODY	4931479718	4058546394813
0051	1	SCREW	4931479719	4058546394820
0070	1	ELECTRONIC	4931479720	4058546394837
0072	2	LATCH	4931479721	4058546394844
0074	2	LATCH	4931479722	4058546394851
0077	1	LOCKING PART	4931479723	4058546394868
0078	1	MOTOR	4931479724	4058546394875
0080	1	RATING PLATE	4931479725	4058546394882
0081	1	CONNECTOR	4931447294	4002395251490
0029	1	DRY FILTER HEPA UNIVERSAL REPLACEMENT	4932478754	4058546360368