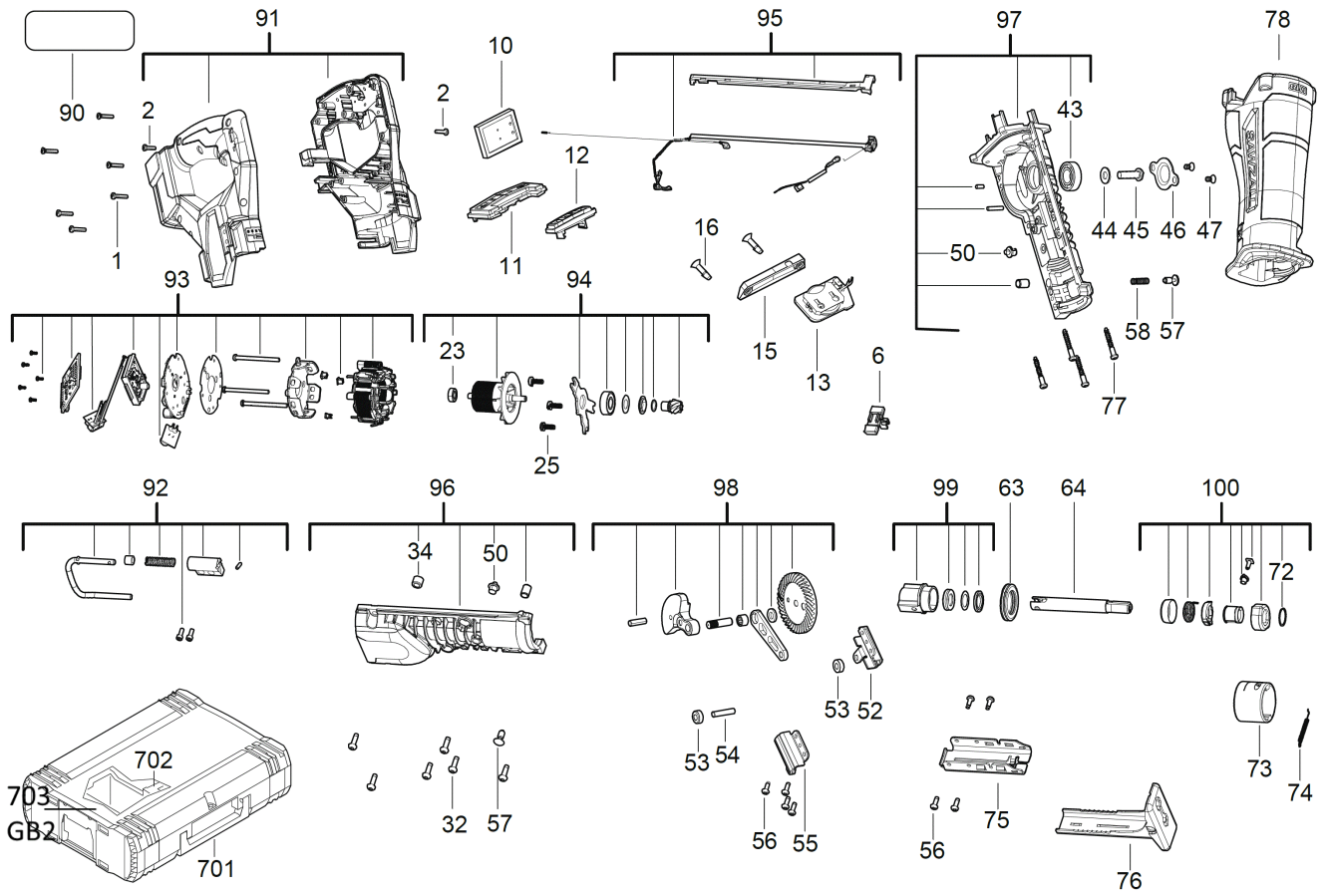


M18ONEFSZ-0X ONEKEY SAWZALL XXX

4933478296 - M18ONEFSZ-0X - 4000477908





Position	Quantity	Description	Part number	EAN
0001	6	SCREW	06827261	4058546068967
0002	2	SCREW	4931454146	4002395285600
0006	1	SLIDER	4931473770	4058546363383
0010	1	RUBBER BUFFER	4931473902	4058546364700
0011	1	SPEED CONTROL	4931473903	4058546364717
0012	1	PUSH BUTTON	4931473904	4058546364724
0013	1	ELECTRONIC	4931473905	4058546364731
0015	1	COVER	4931473906	4058546364748
0016	2	SCREW	4931473907	4058546364755
0023	1	BEARING	4931473771	4058546363390
0025	3	SCREW	4931436635	4002395258017
0032	6	SCREW	4931435228	4002395860128
0034	1	BUSHING	4931473772	4058546363406
0043	1	BALL BEARING	4931473778	4058546363468
0044	1	WASHER	4931473779	4058546363475
0045	1	SCREW	4931473780	4058546363482
0046	1	PLATE	4931436036	4002395878390
0047	2	SCREW	4931473781	4058546363499
0050	2	PIN	4931473774	4058546363420
0052	1	SUPPORT BRACKET	4931473773	4058546363413
0053	2	SPACER	4931473776	4058546363444
0054	1	PIN	4931473775	4058546363437
0055	1	COVER	4931473777	4058546363451
0056	8	SCREW	5131000000	
0057	2	BUTTON	4931473782	4058546363505
0058	1	SPRING	4931473783	4058546363512
0063	1	SEAL	4931473786	4058546363543
0064	1	SPINDLE	4931473787	4058546363550
0072	1	RETAINING RING	4931473788	4058546363567
0073	1	CAM	4931473789	4058546363574
0074	1	SPRING	4931436050	4002395876334
0075	1	BRACKET	4931473784	4058546363529
0076	1	SHOE REL.LEVER KIT	4931473791	4058546363598
0077	4	SCREW	4931454053	4002395282098
0078	1	RUBBER SLEEVE	4931473790	4058546363581
0090	1	RATING PLATE	4931473908	4058546364762
0091	1	HANDLE SET	4931473909	4058546364779
0092	1	HOOK	4931473794	4058546363628
0093	1	ELECTRONIC	4931473910	4058546364786
0094	1	ROTOR	4931473796	4058546363642
0095	1	LED LIGHT	4931473797	4058546363659
0096	1	GEAR CASE	4931473798	4058546363666
0097	1	GEAR CASE	4931473799	4058546363673
0098	1	CRANK ASSEMBLY	4931473800	4058546363680
0099	1	BUSHING	4931473801	4058546363697
0100	1	ACCEPTANCE	4931473802	4058546363703
0701	1	HD Box 1 - 1pc	4932453385	4002395146376
0702	1	INSERT	4931473803	4058546363710
0703	1	INSERT	4931473911	4058546364793