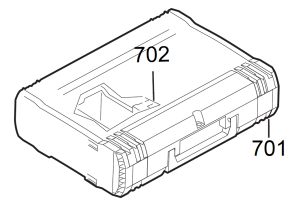
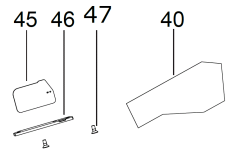
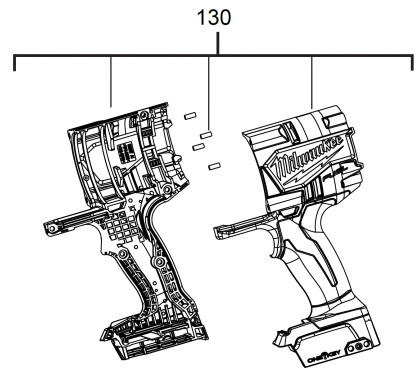
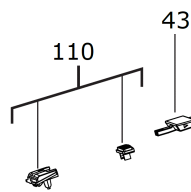
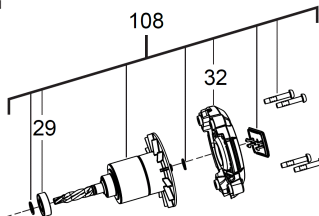
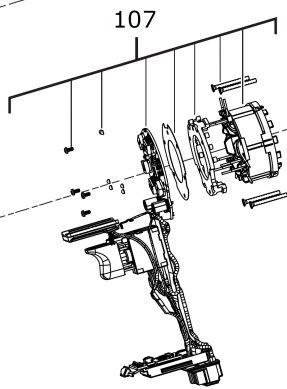
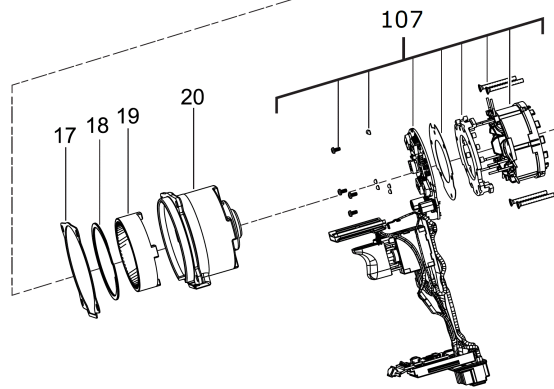
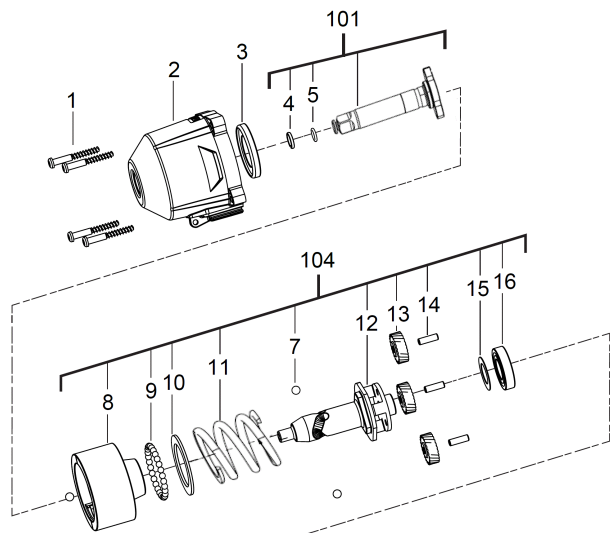


M18ONEFHIWF12E-0X M18 EXT.ANV W/O XXX

4933478405 - M18ONEFHIWF12E-0X - 4000477305





Position	Quantity	Description	Part number	EAN
0001	4	FEED SCREW	4931465519	4058546236199
0002	1	GEAR HEAD	4931473327	4058546336295
0003	1	AXIAL BEAR.WASHER	4931465311	4058546234119
0004	1	CIRCLIP	4931416493	4002395898374
0005	1	O-RING	4931416492	4002395898367
0007	1	BALL	4931436148	4002395880935
0008	1	HAMMER	4931473328	4058546336301
0009	28	BALL	4931440453	4002395892020
0010	1	BEARING WASHER	4931465313	4058546234133
0011	1	PRESSURE SPRING	4931465344	4058546234447
0012	1	CAM SHAFT	4931473329	4058546336318
0013	3	PLANET GEAR	4931454518	4058546009465
0014	3	PIN	671565004	4002395825028
0015	1	BEARING WASHER	4931465317	4058546234171
0016	1	BALL BEARING	681340001	4002395824021
0017	1	GASKET	4931465381	4058546234812
0018	1	PROTECTION WASHER	4931436145	4002395880911
0019	1	INTERN.GEARED WHEEL	4931436144	4002395880904
0020	1	GEAR BOX COVER	4931473330	4058546336325
0029	1	BALL BEARING	4931465322	4058546234225
0032	1	BEARING COVER	4931465323	4058546234232
0035	2	SCREW	4931465325	4058546234256
0036	5	SCREW	4931465326	4058546234263
0040	1	RATING PLATE	4931473331	4058546336332
0043	1	SWITCH LEVER	4931465328	4058546234287
0045	1	CONTACT CASE	4931453372	4002395164141
0046	1	COVER	4931465384	4058546234843
0047	2	SCREW	4931465385	4058546234850
0101	1	ANVIL	4931473332	4058546336349
0104	1	GEAR BOX KIT	4931473333	4058546336356
0107	1	ELECTRONIC	4931473334	4058546336363
0108	1	ROTOR	4931473335	4058546336370
0110	1	SLIDER	4931473336	4058546336387
0130	1	HOUSING	4931465389	4058546234898
0702	1	INSERT	4931473337	4058546336394
0701	1	HD Box 1 - 1pc	4932453385	4002395146376