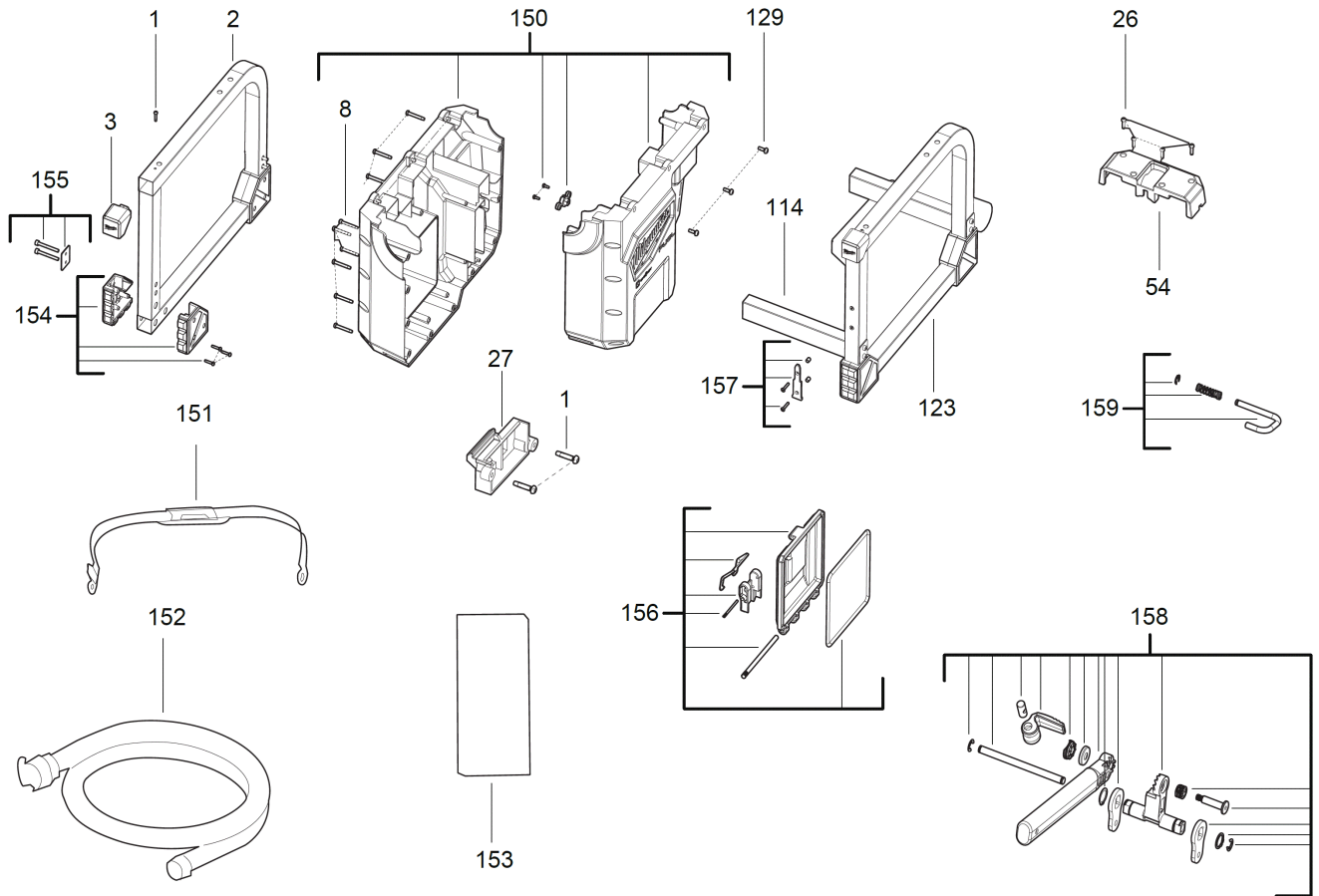
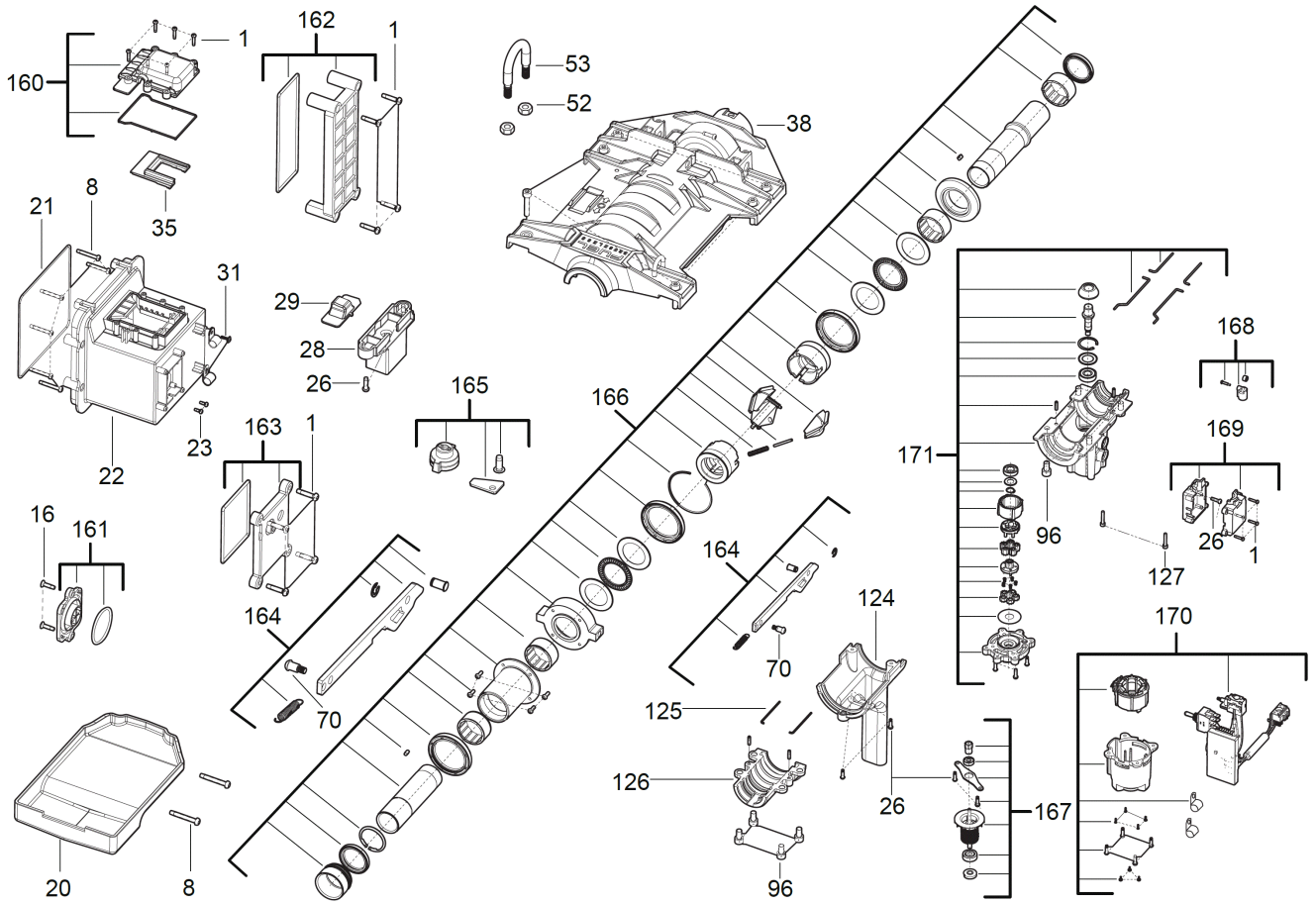


M18FCSSM-0 M18 FUEL SEWER MACHINE XXX

4933478408 - M18FCSSM-0 - 4000481052







Position	Quantity	Description	Part number	EAN
0001	35	SCREW	660570005	4002395827329
0002	1	FRAME	4931479019	4058546365875
0003	2	CAP	4931479020	4058546365882
0008	20	SCREW	4931435023	4002395857302
0016	2	SCREW	4931479021	4058546365899
0020	1	COVER	4931479022	4058546365905
0021	1	GASKET	4931479023	4058546365912
0022	1	HOUSING	4931479024	4058546365929
0023	4	SCREW	513100000	
0026	21	SCREW	4931435150	4002395859948
0027	1	HOOK	4931479025	4058546365936
0028	1	SWITCH MOUNTING	4931479026	4058546365943
0029	1	SLIDING SWITCH	4931465477	4058546235772
0031	2	SCREW	513100000	
0035	1	SUPPORT	4931479027	4058546365950
0038	1	HOUSING	4931479028	4058546365967
0052	4	NUT	4931479029	4058546365974
0053	2	HOLDING BRACKET	4931479030	4058546365981
0054	1	COVER	4931479031	4058546365998
0070	2	SCREW	4931479032	4058546366001
0096	8	SCREW	513100000	
0114	2	LATCH BAR	4931479033	4058546366018
0123	1	FRAME	4931479034	4058546366025
0124	1	DEFLECTOR	4931479035	4058546366032
0125	2	GASKET	4931479036	4058546366049
0126	1	HOUSING	4931479037	4058546366056
0127	2	SCREW	4931461267	4058546034399
0129	6	SCREW	4931454301	4002395284719
0150	1	HOUSING	4931479038	4058546366063
0151	1	STRAP	4931479039	4058546366070
0153	1	RATING PLATE	4931479040	4058546366087
0154	4	FOOT	4931479041	4058546366094
0155	4	WASHER	4931479042	4058546366100
0156	1	COVER	4931479043	4058546366117
0157	1	HOLDER	4931479044	4058546366124
0158	1	LEVER	4931479045	4058546366131
0159	1	HOOK	4931479046	4058546366148
0160	1	TERMINAL STRIP	4931479047	4058546366155
0161	1	COVER	4931479048	4058546366162
0162	1	COVER	4931479049	4058546366179
0163	1	COVER	4931479050	4058546366186
0164	2	ROD	4931479051	4058546366193
0165	1	RETAINER	4931479052	4058546366209
0166	1	DRIVE	4931479053	4058546366216
0167	1	ROTOR	4931479054	4058546366223
0168	1	TRIGGER	4931479055	4058546366230
0169	1	COVER	4931479056	4058546366247
0170	1	ELECTRONIC	4931479057	4058546366254
0171	1	GEAR BOX	4931479058	4058546366261
0152	1	Medium Guide Hose for FCSSM	4932478409	4058546346003