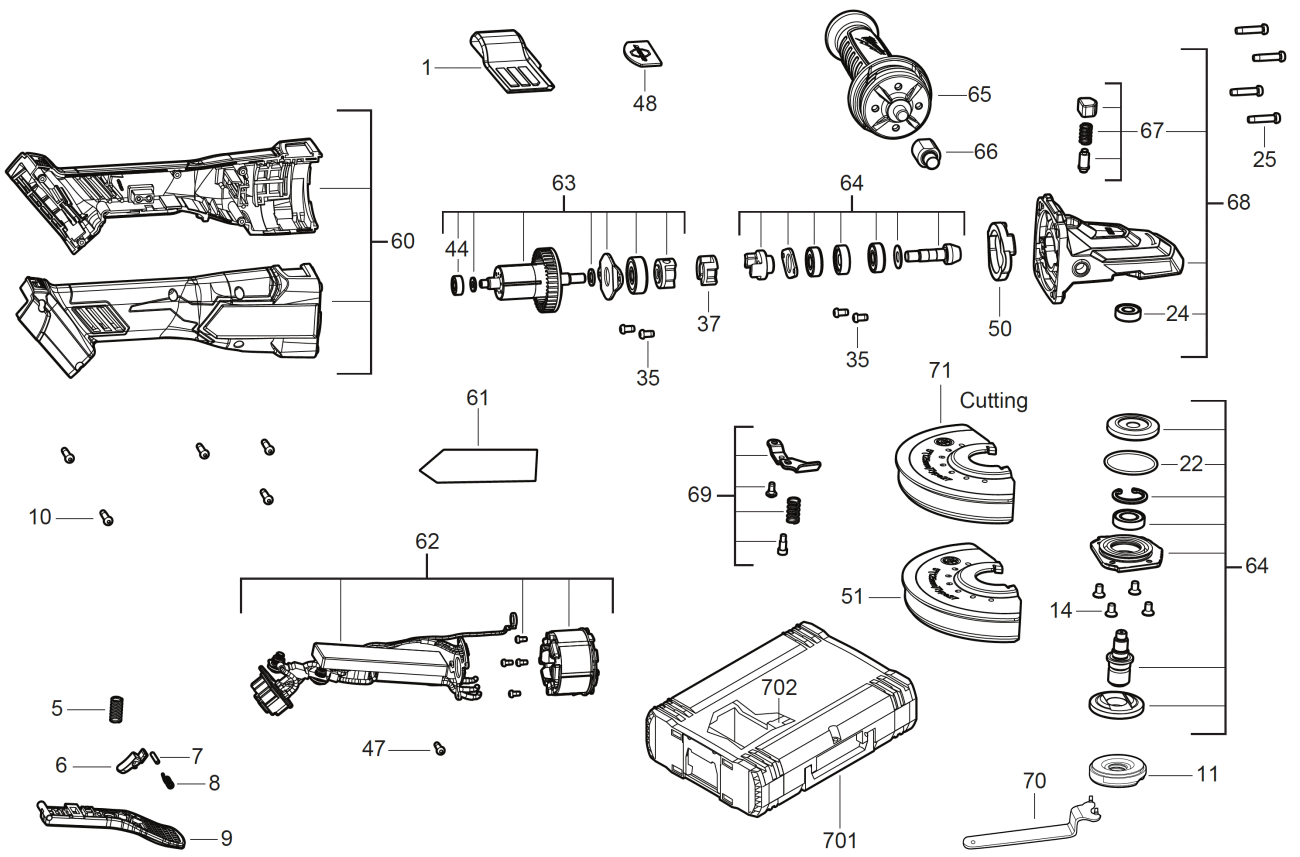


# M18FSAGF125XPDB-0X ANG.GRINDER XXX

4933478439 - M18FSAGF125XPDB-0X - 4000483461





Position	Quantity	Description	Part number	EAN
0001	1	DUST CAP	4931479275	4058546385903
0005	1	SPRING	4931479407	4058546387228
0006	1	TRIGGER	4931479404	4058546387198
0007	1	BOLT	4931454155	4002395285693
0008	1	SPRING	4931479405	4058546387204
0009	1	TRIGGER	4931479468	4058546387839
0010	5	SCREW	660031017	4002395825189
0011	1	FIXTEC NUT	4931466273	4058546274900
0014	4	SCREW	4931479452	4058546387679
0022	1	O-RING	4931479453	4058546387686
0024	1	BALL BEARING	4931479454	4058546387693
0025	4	SCREW	660024030	4002395826957
0035	4	SCREW	4931472712	4058546330149
0037	1	COUPLING SLEEVE	4931461253	4058546034252
0044	1	BALL BEARING	4931479271	4058546385866
0047	1	SCREW	4931436686	4002395258260
0048	1	COVER	4931479398	4058546387136
0050	1	RUBBER BUMPER	4931479455	4058546387709
0051	1	GUARD	4931479456	4058546387716
0060	1	HOUSING	4931479469	4058546387846
0061	1	RATING PLATE	4931479470	4058546387853
0062	1	ELECTRONIC	4931479471	4058546387860
0063	1	ROTOR	4931479460	4058546387754
0064	1	PINION	4931479461	4058546387761
0065	1	AUXILIARY HANDLE	4931435002	4002395855919
0066	1	EXTENSION	4931479462	4058546387778
0067	1	LOCK COMPLETE	4931479463	4058546387785
0068	1	GEAR CASE	4931479464	4058546387792
0069	1	LOCKING PIECE	4931479465	4058546387808
0070	1	WRENCH	4931466910	4058546281274
0071	1	CUTTING GUARD	4931479466	4058546387815
0701	1	HD Box 1 - 1pc	4932453385	4002395146376
0702	1	INSERT	4931479467	4058546387822