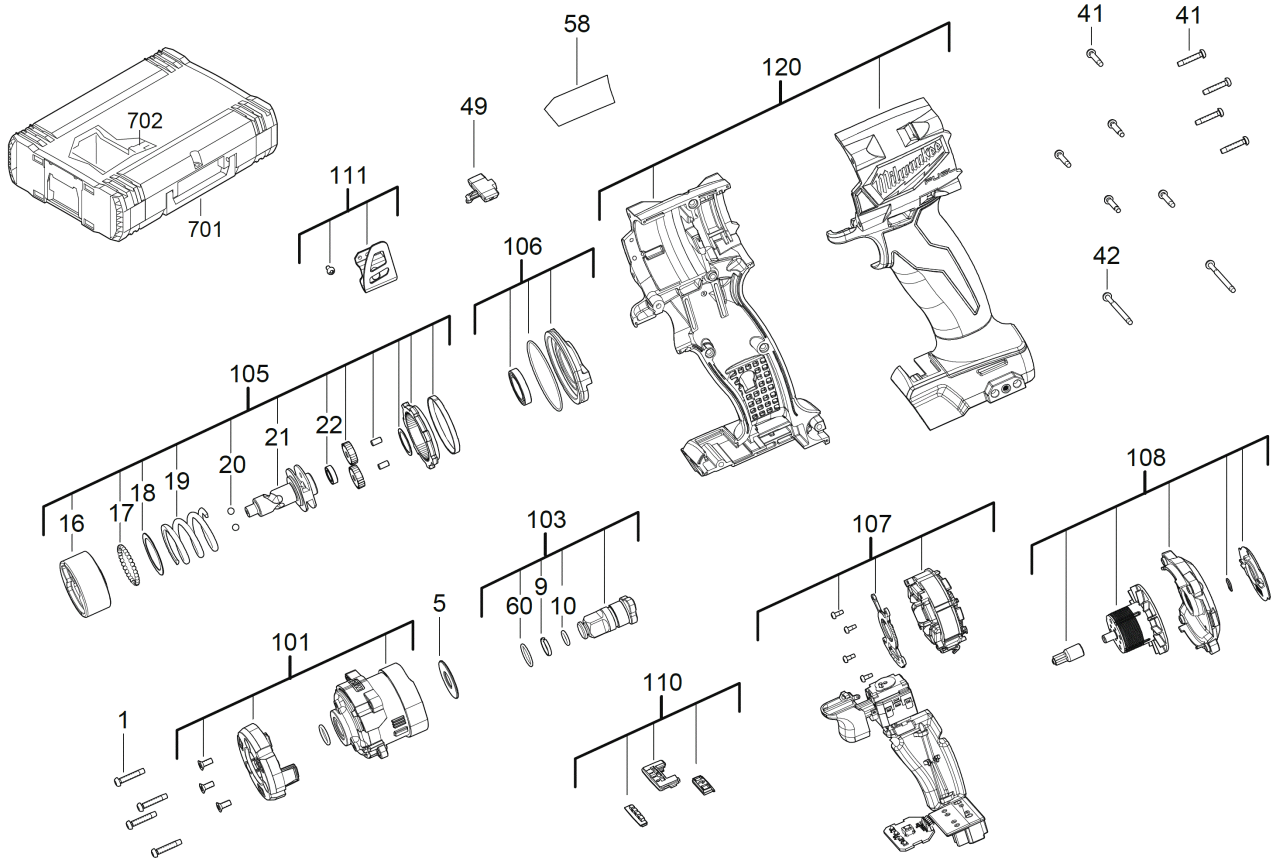


M18FIW2F12-502X COMP. IMPACT WRENCH IN2

4933478444 - M18FIW2F12-502X - 4000477668





| Position | Quantity | Description | Part number | EAN |
|----------|----------|----------------|-------------|---------------|
| 0001 | 4 | SCREW | 4931473725 | 4058546356019 |
| 0005 | 1 | WASHER | 4931465768 | 4058546238681 |
| 0009 | 1 | CIRCLIP | 4931416493 | 4002395898374 |
| 0010 | 1 | O-RING | 4931416492 | 4002395898367 |
| 0016 | 1 | HAMMER | 4931473540 | 4058546354169 |
| 0017 | 31 | BALL | 4931440309 | 4002395892013 |
| 0018 | 1 | WASHER | 4931473541 | 4058546354176 |
| 0019 | 1 | SPRING | 4931473542 | 4058546354183 |
| 0020 | 2 | BALL | 4931440453 | 4002395892020 |
| 0021 | 1 | CAM SHAFT | 4931473543 | 4058546354190 |
| 0022 | 1 | BALL BEARING | 4931465819 | 4058546239190 |
| 0041 | 9 | SCREW | 4931465499 | 4058546235994 |
| 0042 | 2 | SCREW | 4931454852 | 4058546020262 |
| 0049 | 1 | SLIDER | 4931473544 | 4058546354206 |
| 0058 | 1 | RATING PLATE | 4931473545 | 4058546354213 |
| 0060 | 1 | O-RING | 4931473546 | 4058546354220 |
| 0101 | 1 | GEAR BOX ASSY | 4931473547 | 4058546354237 |
| 0103 | 1 | ANVIL | 4931473548 | 4058546354244 |
| 0105 | 1 | GEAR KIT | 4931473549 | 4058546354251 |
| 0106 | 1 | GEAR BOX COVER | 4931473550 | 4058546354268 |
| 0107 | 1 | ELECTRONIC | 4931473551 | 4058546354275 |
| 0108 | 1 | ROTOR | 4931473552 | 4058546354282 |
| 0110 | 1 | SPEED CONTROL | 4931473553 | 4058546354299 |
| 0111 | 1 | BELT CLIP | 4931465831 | 4058546239312 |
| 0120 | 1 | HOUSING | 4931473554 | 4058546354305 |
| 0701 | 1 | HD Box 1 - 1pc | 4932453385 | 4002395146376 |
| 0702 | 1 | INSERT | 4931473555 | 4058546354312 |