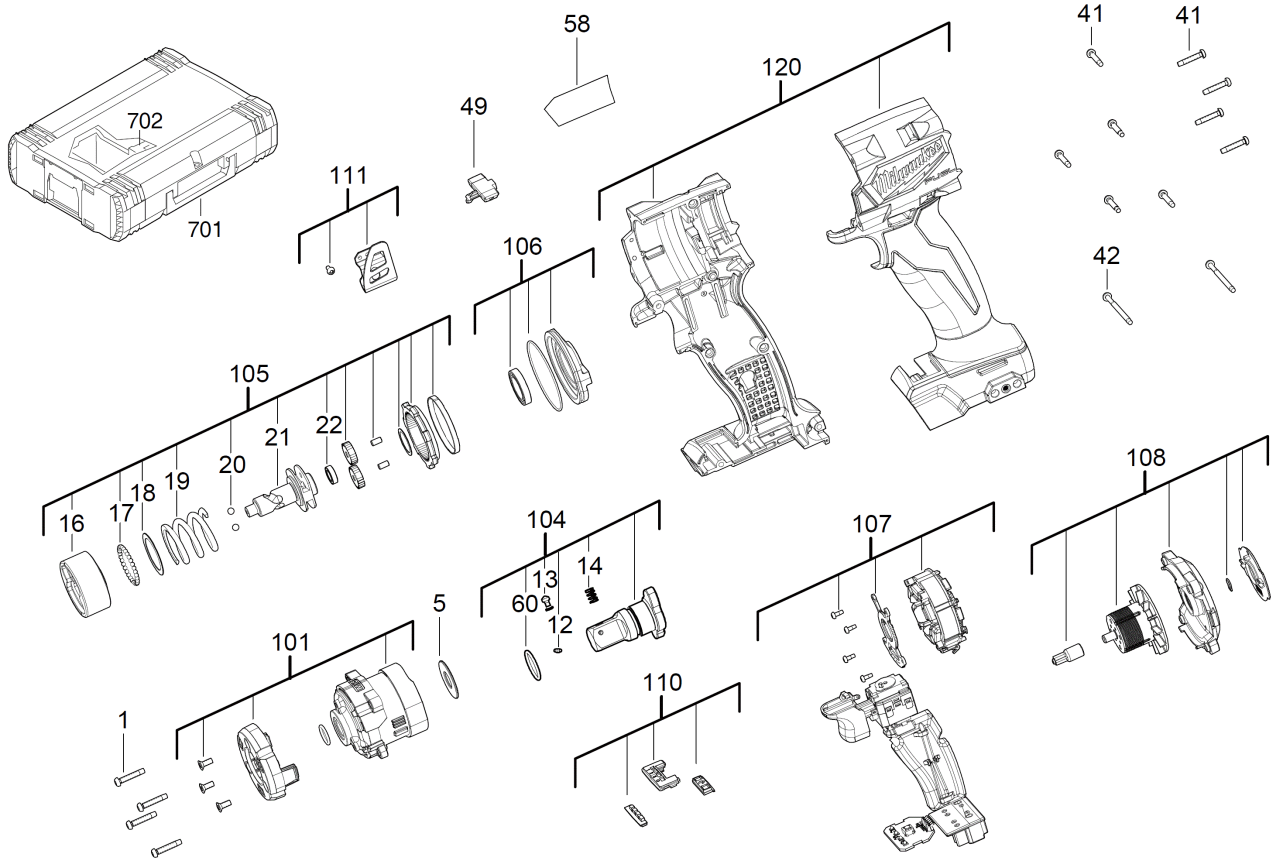


# M18FIW2P12-502X COMP. IMPACT WRENCH IN2

4933478447 - M18FIW2P12-502X - 4000477679





Position	Quantity	Description	Part number	EAN
0001	4	SCREW	4931473725	4058546356019
0005	1	WASHER	4931465768	4058546238681
0012	1	BOLT	4931453279	4002395159307
0013	1	HOLDING PIN	4931453449	4002395148622
0014	1	SPRING	4931436071	4002395878437
0016	1	HAMMER	4931473540	4058546354169
0017	31	BALL	4931440309	4002395892013
0018	1	WASHER	4931473541	4058546354176
0019	1	SPRING	4931473542	4058546354183
0020	2	BALL	4931440453	4002395892020
0021	1	CAM SHAFT	4931473543	4058546354190
0022	1	BALL BEARING	4931465819	4058546239190
0041	9	SCREW	4931465499	4058546235994
0042	2	SCREW	4931454852	4058546020262
0049	1	SLIDER	4931473544	4058546354206
0058	1	RATING PLATE	4931473556	4058546354329
0060	1	O-RING	4931473546	4058546354220
0101	1	GEAR BOX ASSY	4931473547	4058546354237
0104	1	ANVIL	4931473557	4058546354336
0105	1	GEAR KIT	4931473549	4058546354251
0106	1	GEAR BOX COVER	4931473550	4058546354268
0107	1	ELECTRONIC	4931473551	4058546354275
0108	1	ROTOR	4931473552	4058546354282
0110	1	SPEED CONTROL	4931473553	4058546354299
0111	1	BELT CLIP	4931465831	4058546239312
0120	1	HOUSING	4931473554	4058546354305
0701	1	HD Box 1 - 1pc	4932453385	4002395146376
0702	1	INSERT	4931473555	4058546354312