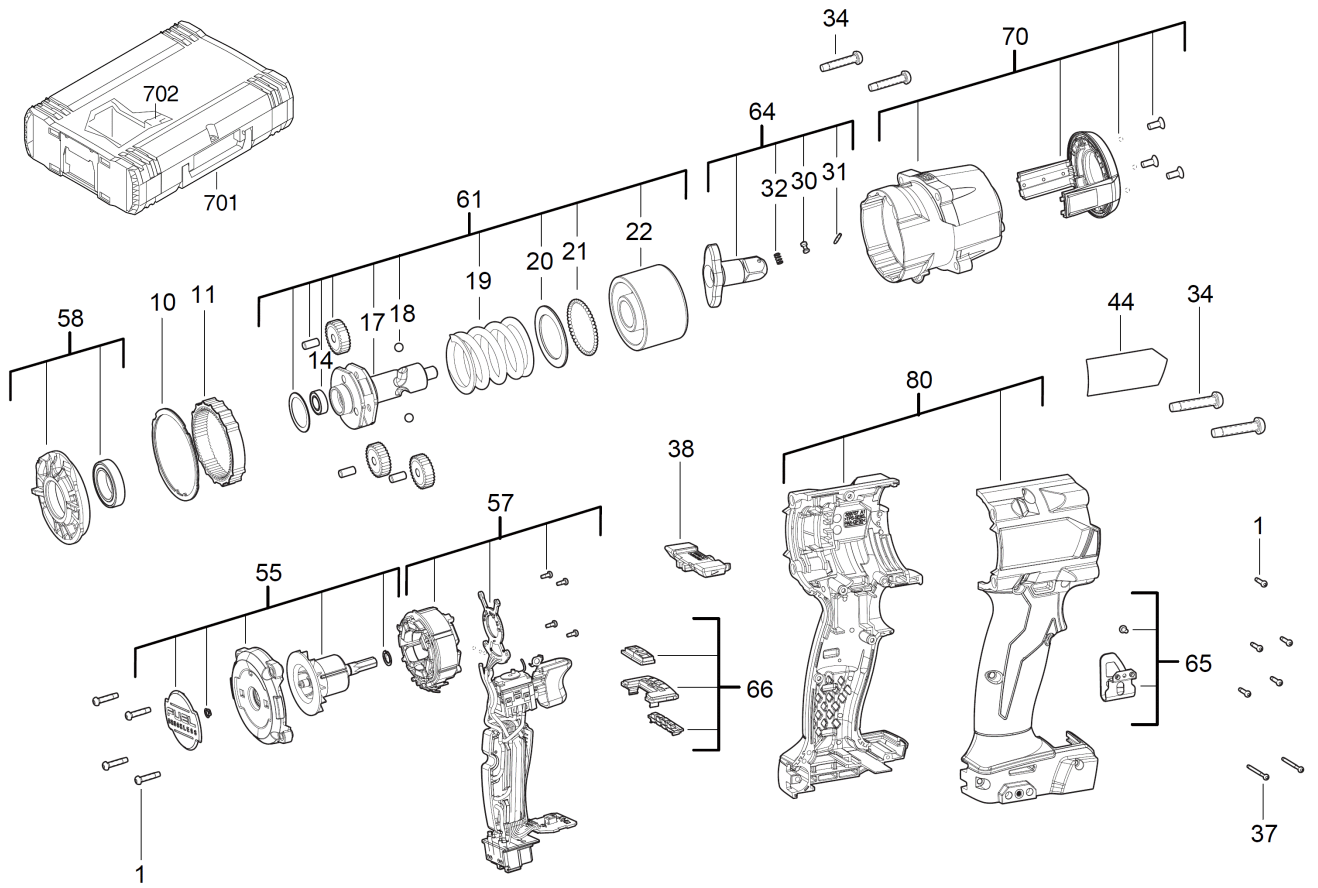


M18FMTIW2P12-502X MID IMPACT WRENCH IN2

4933478453 - M18FMTIW2P12-502X - 4000477719





Position	Quantity	Description	Part number	EAN
0001	9	SCREW	4931454853	4058546020279
0010	1	GASKET	4931473576	4058546354527
0011	1	INTERN.GEARED WHEEL	4931473577	4058546354534
0014	1	BEARING	4931473578	4058546354541
0017	1	CAM SHAFT	4931473579	4058546354558
0018	2	BALL	5131000000	
0019	1	SPRING	4931473580	4058546354565
0020	1	WASHER	4931473581	4058546354572
0021	45	BALL	4931465813	4058546239138
0022	1	HAMMER	4931473582	4058546354589
0030	1	PIN	4931473593	4058546354695
0031	1	BOLT	4931453279	4002395159307
0032	1	SPRING	4931436071	4002395878437
0034	4	SCREW	4931454838	4058546020125
0037	2	SCREW	4931454852	4058546020262
0038	1	SLIDER	4931473583	4058546354596
0044	1	RATING PLATE	4931473594	4058546354701
0055	1	ROTOR	4931473585	4058546354619
0057	1	ELECTRONIC	4931473586	4058546354626
0058	1	CAP	4931473587	4058546354633
0061	1	GEAR BOX KIT	4931473588	4058546354640
0064	1	ANVIL	4931473595	4058546354718
0065	1	BELT CLIP	4931465831	4058546239312
0066	1	SPEED CONTROL	4931473553	4058546354299
0070	1	GEAR BOX HOUSING	4931473590	4058546354664
0080	1	HOUSING	4931473591	4058546354671
0701	1	HD Box 1 - 1pc	4932453385	4002395146376
0702	1	INSERT	4931473592	4058546354688