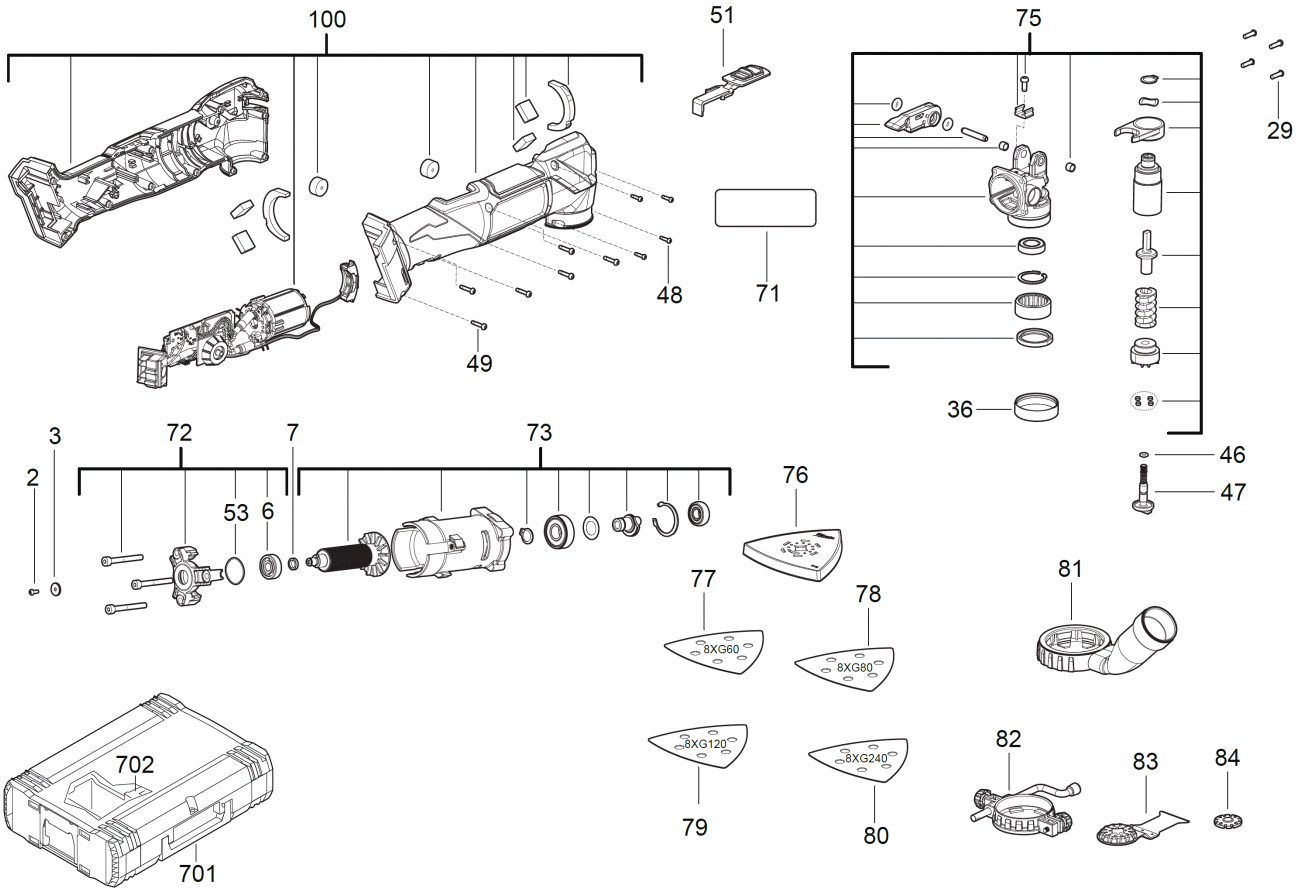


M18FMT-0X FUEL M18 MULTITOOL XXX

4933478491 - M18FMT-0X - 4000477865





Position	Quantity	Description	Part number	EAN
0002	1	SCREW	4931465506	4058546236069
0003	1	WASHER	4931473916	4058546364847
0006	1	BALL BEARING	4931473917	4058546364854
0007	1	BUSH	4931473918	4058546364861
0029	4	SCREW	4931465883	4058546239831
0036	1	RUBBER SLEEVE	4931473919	4058546364878
0046	1	O-RING	4931473392	4058546352684
0047	1	FASTENING BOLT	4931473393	4058546352691
0048	4	SCREW	4931447534	4002395882823
0049	6	SCREW	660570005	4002395827329
0051	1	SLIDE	4931473920	4058546364885
0053	1	O-RING	4931473921	4058546364892
0071	1	RATING PLATE	4931473923	4058546364915
0072	1	MOTOR PLATE	4931473924	4058546364922
0073	1	MOTOR ASSEMBLY	4931473925	4058546364939
0075	1	GEAR CASE	4931473927	4058546364953
0076	1	GRINDING DISK	4931447574	4002395882960
0081	1	DUST EXTR.CONNECTOR	4931473396	4058546352721
0082	1	DEPTH GAUGE	4931473397	4058546352738
0083	1	BLADE	4931473395	4058546352714
0084	1	ADAPTER DISC	4931473394	4058546352707
0100	1	SET POWERPACK	4931483512	4058546392222
0702	1	INSERT	4931473928	4058546364960
0077	1	Sand Paper D HL 93x93/6 G60-8pc	48902060	45242349166
0078	1	Sand Paper D HL 93x93/6 G80-8pc	48902080	45242349173
0079	1	Sand Paper D HL 93x93/6 G120-8pc	48902120	45242349135
0080	1	Sand Paper D HL 93x93/6 G240-8pc	48902240	45242366064
0701	1	HD Box 1 - 1pc	4932453385	4002395146376