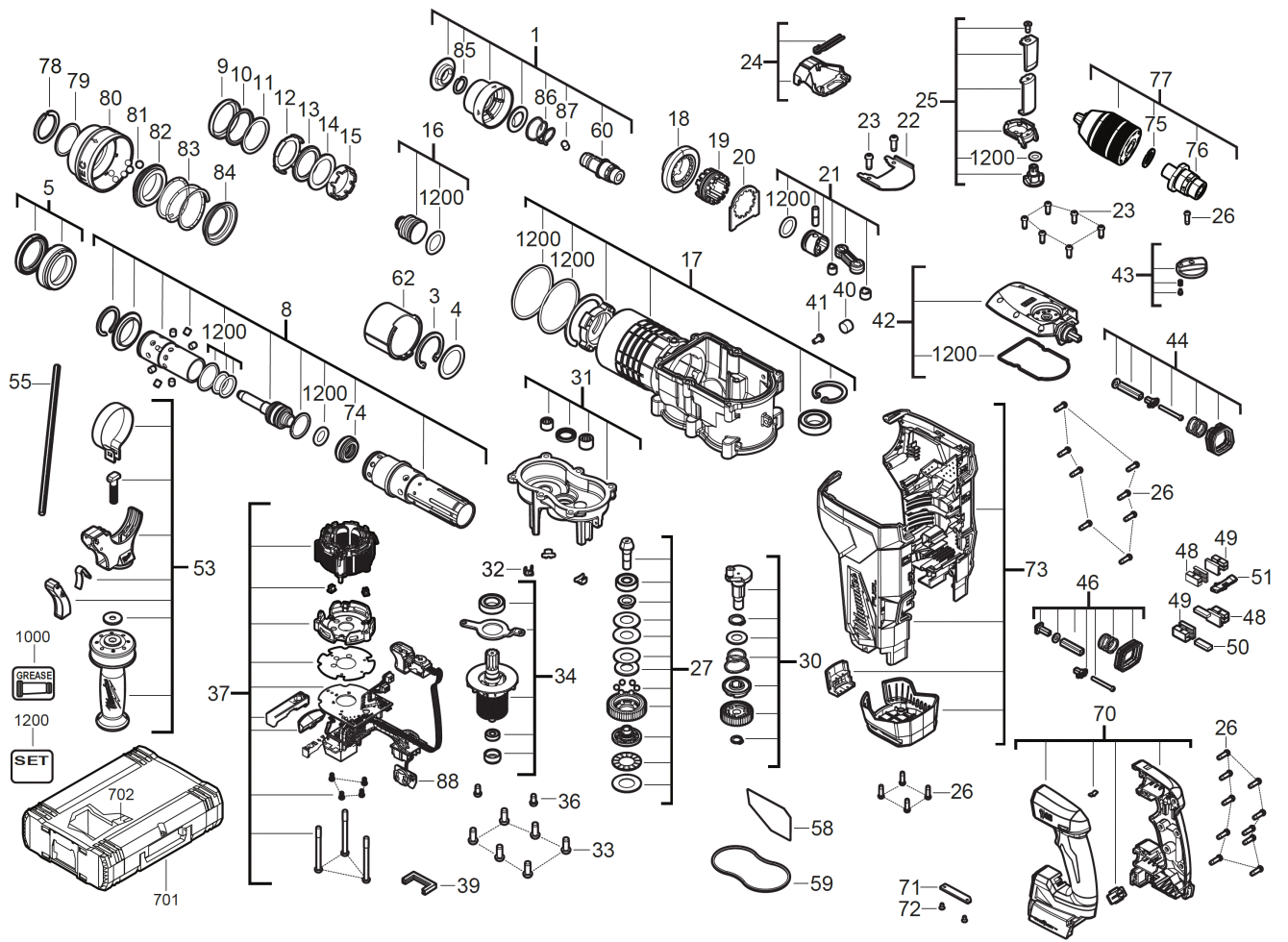


# M18ONEFHPX-0X SDS+ 32MM HAMMER FIXT XXX

4933478495 - M18ONEFHPX-0X - 4000477945





Position	Quantity	Description	Part number	EAN
0001	1	CHUCK	4931479842	4058546396053
0003	1	SNAP RING	4931479801	4058546395643
0004	1	WASHER	4931479802	4058546395650
0005	1	BUSHING	4931479803	4058546395667
0008	1	SPINDLE KIT	4931479843	4058546396060
0009	1	WASHER	4931479805	4058546395681
0010	1	RING	4931479806	4058546395698
0011	1	WASHER	4931479807	4058546395704
0012	1	BUFFER	4931436375	4002395251544
0013	1	RING	4931479808	4058546395711
0014	1	WASHER	4931436371	4002395251506
0015	1	SPINDLE	4931479809	4058546395728
0016	1	STRIKER	4931479810	4058546395735
0017	1	GEAR BOX COVER	4931479811	4058546395742
0018	1	BEVEL GEAR	4931479812	4058546395759
0019	1	SLEEVE	4931479813	4058546395766
0020	1	LOCKING PLATE	4931479814	4058546395773
0021	1	PISTON	4931479815	4058546395780
0022	1	CLAMPING PIECE	4931479816	4058546395797
0023	8	SCREW	4931435150	4002395859948
0024	1	COVER	4931479817	4058546395803
0025	1	BRACKET	4931479818	4058546395810
0026	23	SCREW	660031017	4002395825189
0027	1	CLUTCH	4931479819	4058546395827
0030	1	CRANK ASSEMBLY	4931479820	4058546395834
0031	1	GEAR BOX ASSY	4931479821	4058546395841
0032	3	WASHER	4931479822	4058546395858
0033	6	SCREW	4931436390	4002395249589
0034	1	ARMATURE	4931479823	4058546395865
0036	2	SCREW	660165015	4002395849826
0037	1	MOTOR ASSEMBLY	4931479824	4058546395872
0039	1	ELECTRONIC	4931479825	4058546395889
0040	1	PLUG	4931479826	4058546395896
0041	1	PIN	4931479827	4058546395902
0042	1	GEAR BOX COVER	4931479828	4058546395919
0043	1	PUSH BUTTON	4931479829	4058546395926
0044	1	GEAR SLEEVE	4931479830	4058546395933
0046	1	GEAR SLEEVE	4931479831	4058546395940
0048	4	RUBBER BUMPER	4931479832	4058546395957
0049	4	HOLDER	4931436422	4002395248902
0050	2	FOAM RUBBER	4931436434	4002395249671
0051	1	SWITCH LEVER	4931479833	4058546395964
0053	1	SWITCH HANDLE	4931479834	4058546395971
0055	1	DEPTH GAUGE	4931479598	4058546393618
0058	1	RATING PLATE	4931479844	4058546396077
0059	1	SEAL	4931479836	4058546395995
0060	1	ADAPTER	4931479845	4058546396084
0062	1	HANDLE	4931479846	4058546396091
0070	1	HANDLE SET	4931479837	4058546396008
0071	1	COVER	4931479660	4058546394233

Position	Quantité	Désignation	Référence	EAN
0072	2	SCREW	4931465385	4058546234850
0073	1	HOUSING	4931479838	4058546396015
0074	1	ANVIL	4931479839	4058546396022
0075	1	SPRING	692738001	4002395854196
0076	1	ADAPTER	4931479847	4058546396107
0077	1	ADAPTER	4931479848	4058546396114
0078	1	SPRING RING	4931436362	4002395250813
0079	1	WASHER	4931479849	4058546396121
0080	1	COLLAR	4931479850	4058546396138
0081	6	BALL	681486001	4002395851928
0082	1	RING	4931479851	4058546396145
0083	1	SPRING WASHER	4931436365	4002395250844
0084	1	RETAINING RING	4931479852	4058546396152
0085	1	SPRING RING	672631001	4002395856336
0086	2	SPRING	4931445571	4002395174522
0087	1	BALL	4931453606	4002395143832
0088	1	ELECTRONIC	4931473905	4058546364731
0701	1	HD Box 3 - 1pc	4932453386	4002395143634
0702	1	INSERT	4931479840	4058546396039
1000	1	GEAR GREASE	4931443288	4002395255627
1200	1	O-RING	4931479841	4058546396046