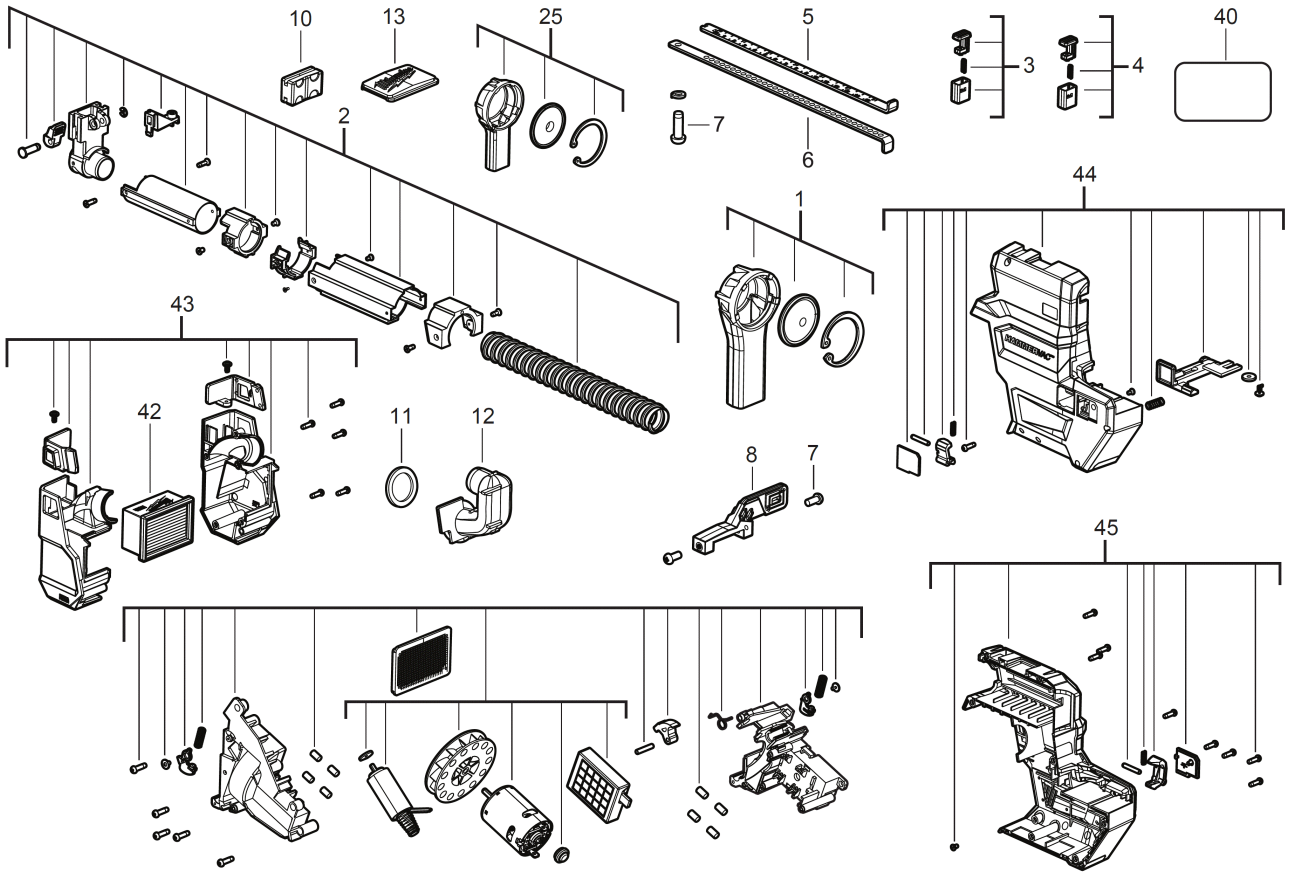


M18ONEFHXDEL-552C SDS 26MM HAMMER IN2

4933478506 - M18ONEFHXDEL-552C - 4000483410





Position	Quantity	Description	Part number	EAN
0001	1	NOZZLE	4931473294	4058546335960
0002	1	SUCTION PIPE	4931479673	4058546394363
0003	1	STOP	4931473292	4058546335946
0004	1	STOP	4931473293	4058546335953
0005	1	SCALE	4931479675	4058546394387
0006	1	DEPTH GAUGE	4931479674	4058546394370
0007	3	SCREW	4931479676	4058546394394
0008	1	STOP	4931479677	4058546394400
0010	1	COVER	4931479678	4058546394417
0011	1	GASKET	4931473289	4058546335915
0012	1	DIRECT.DUST CHUTE	4931479679	4058546394424
0013	1	RUBBER BUMPER	4931479680	4058546394431
0025	1	NOZZLE	4931473295	4058546335977
0040	1	RATING PLATE	4931479682	4058546394455
0042	1	M12DE DUST FILTER FILTER - 3PC	49902306	45242299454
0043	1	DUST BOX ASSY	4931479684	4058546394479
0044	1	HOUSING	4931479685	4058546394486
0045	1	HOUSING	4931479686	4058546394493