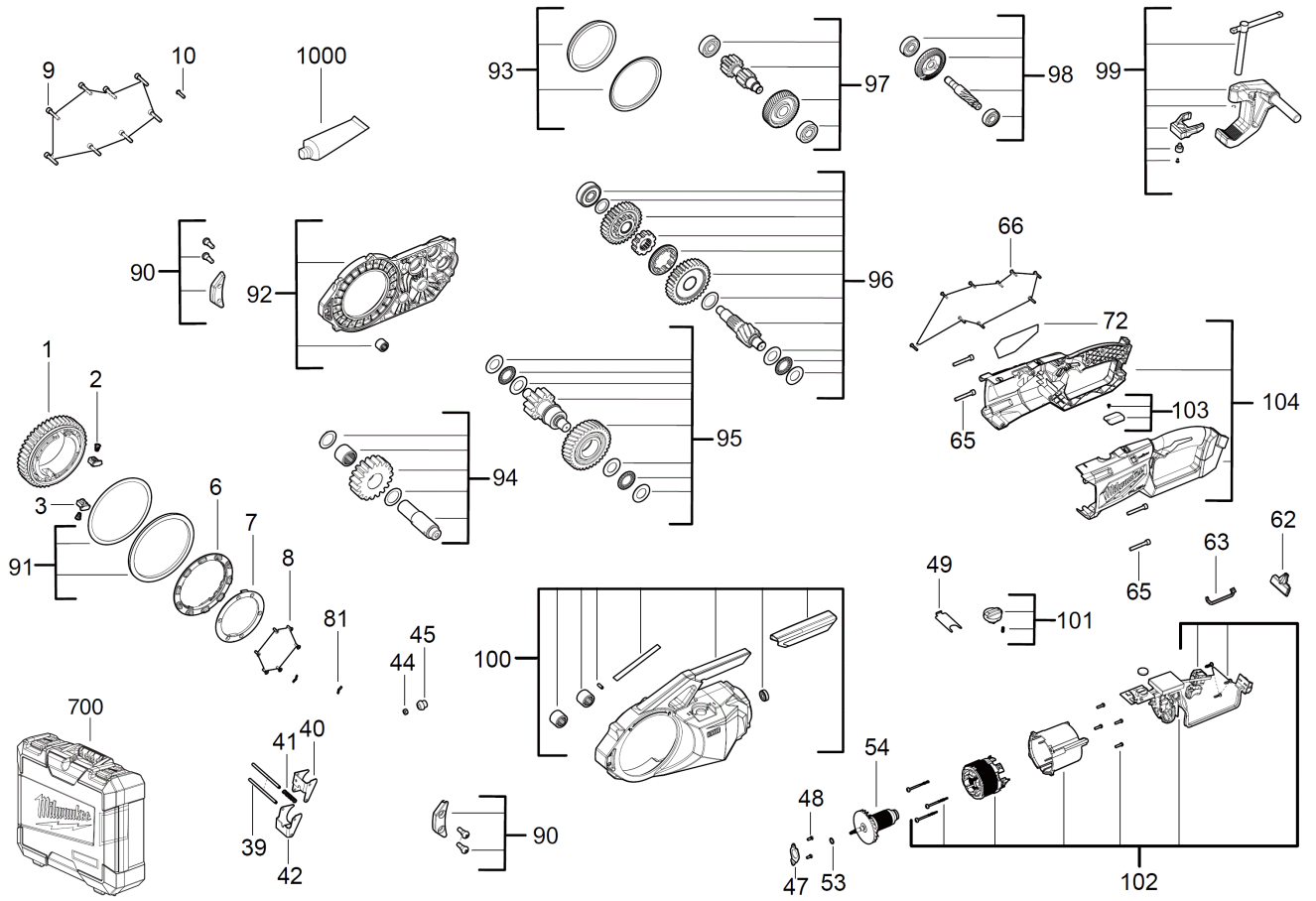


# M18FPT2-0C FUEL PIPE THREADER 2IN XXX

4933478596 - M18FPT2-0 - 4000477351





Position	Quantity	Description	Part number	EAN
0001	1	GEAR	4931479159	4058546367275
0002	2	SPRING	4931479160	4058546367282
0003	2	INSERT	4931479161	4058546367299
0006	1	DISC	4931479162	4058546367305
0007	1	RETAINING PLATE	4931479163	4058546367312
0008	6	SCREW	4931479164	4058546367329
0009	8	SCREW	4931479165	4058546367336
0010	1	SCREW	4931466683	4058546279004
0039	2	GUIDE BOLT	4931453101	4002395151356
0040	1	BRACKET	4931479166	4058546367343
0041	1	SPRING	4931479167	4058546367350
0042	1	BRACKET	4931479168	4058546367367
0044	1	NUT	671686001	4002395824526
0045	1	PINION	4931479169	4058546367374
0047	1	BEARING CAGE	672569001	4002395824533
0048	2	SCREW	4931465856	4058546239565
0049	1	RETAINING PLATE	4931479170	4058546367381
0053	1	WASHER	5131000000	
0054	1	ROTOR	4931479171	4058546367398
0062	1	SLIDER	4931479172	4058546367404
0063	1	LENS	4931479173	4058546367411
0065	4	SCREW	4931479174	4058546367428
0066	9	SCREW	06827261	4058546068967
0072	1	RATING PLATE	4931479175	4058546367435
0081	2	SPRING PLATE	4931452341	4002395172528
0090	2	RUBBER BUMPER	4931479176	4058546367442
0091	1	WASHER	4931479177	4058546367459
0092	1	GEAR CASE	4931479178	4058546367466
0093	1	RUBBER DISC	4931479179	4058546367473
0094	1	DRIVING SHAFT	4931479180	4058546367480
0095	1	DRIVING SHAFT	4931479181	4058546367497
0096	1	DRIVING SHAFT	4931479182	4058546367503
0097	1	DRIVING SHAFT	4931479183	4058546367510
0098	1	DRIVING SHAFT	4931479184	4058546367527
0099	1	CLAMP	4931479185	4058546367534
0100	1	GEAR BOX COVER	4931479186	4058546367541
0101	1	TURNING KNOB	4931479187	4058546367558
0102	1	ELECTRONIC	4931479188	4058546367565
0103	1	CAP	4931479189	4058546367572
0104	1	HOUSING	4931479190	4058546367589
0700	1	CARRYING CASE	4931479191	4058546367596
1000	1	GREASE	49085270	4058546075040