

Milwaukee®

Nothing but **HEAVY DUTY**.®



M18 FPT2

Original instructions
Originalbetriebsanleitung
Notice originale
Istruzioni originali
Manual original
Manual original
Oorspronkelijke
gebruiksaanwijzing
Original brugsanvisning
Original bruksanvisning
Bruksanvisning i original

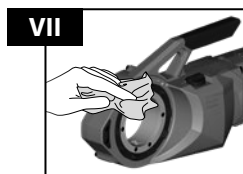
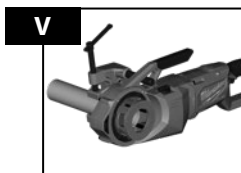
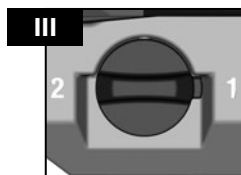
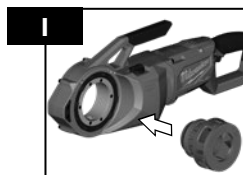
Alkuperäiset ohjeet
Πρωτότυπο οδηγίων χρήσης
Orijinal işletme talimatı
Původním návodem k používání
Pôvodný návod na použitie
Instrukcja oryginalna
Eredeti használati utasítás
Izvirna navodila
Originalne pogonske upute
Instrukcijām oriģinālvaiodā
Originali instrukcija

Algupärane kasutusjuhend
Оригинальное руководство
по эксплуатации
Оригинално ръководство за
експлоатация
Instrucțiuni de folosire originale
Оригинален прирачник за
работа
Оригінал інструкції з
експлуатації
التعليمات الأصلية

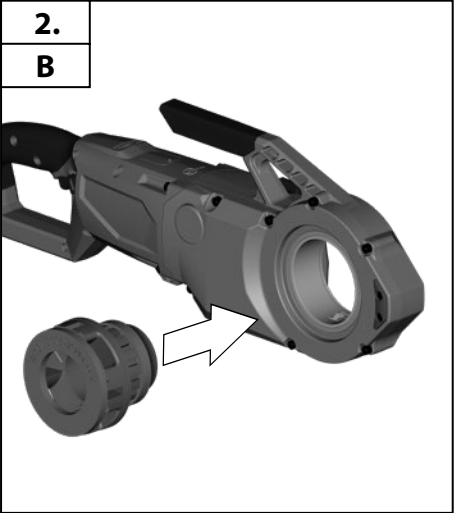
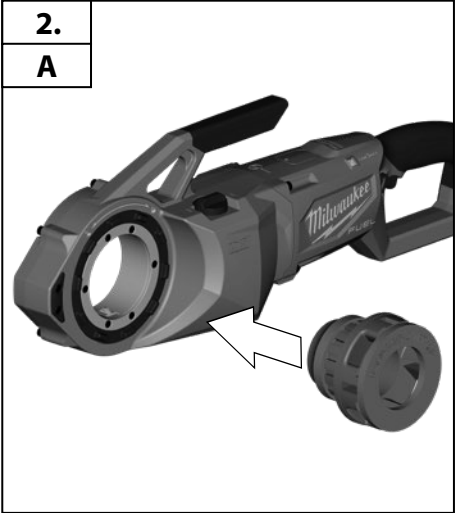
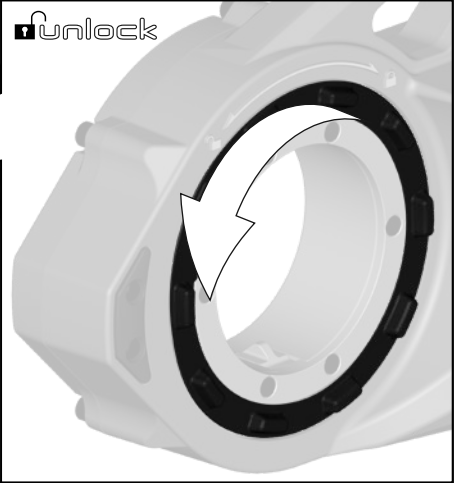
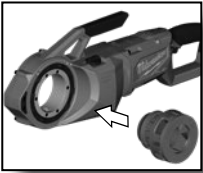
Technical Data, Safety Instructions, Specified Conditions of Use, Declaration of Conformity, Batteries, Maintenance, Symbols	Please read and save these instructions!	English	19
Technische Daten, Sicherheitshinweise, Bestimmungsgemäße Verwendung, CE-Konformitätserklärung, Akku, Wartung, Symbole	Bitte lesen und aufbewahren!	Deutsch	24
Caractéristiques techniques, Instructions de sécurité, Utilisation conforme aux prescriptions, Déclaration CE de Conformité, Accus, Entretien, Symboles	A lire et à conserver soigneusement	Français	29
Dati tecnici, Norme di sicurezza, Utilizzo conforme, Dichiarazione di Conformità CE, Batterie, Manutenzione, Simboli	Si prega di leggere e conservare le istruzioni!	Italiano	34
Datos técnicos, Instrucciones de seguridad, Aplicación de acuerdo a la finalidad, Declaración de Conformidad CE, Batería, Mantenimiento, Símbolos	Lea y conserve estas instrucciones por favor!	Español	39
Características técnicas, Instruções de segurança, Utilização autorizada, Declaração de Conformidade CE, Acumulador, Manutenção, Símbolo	Por favor leia e conserve em seu poder!	Português	44
Technische gegevens, Veiligheidsadviezen, Voorgeschreven gebruik van het systeem, EC-Konformiteitsverklaring, Akku, Onderhoud, Symbolen	Lees en let goed op deze adviezen!	Nederlands	49
Tekniske data, Sikkerhedshenvisninger, Tiltænk formål, CE-Konformitetserklæring, Batteri, Vedligeholdelse, Symboler	Vær venlig at læse og opbevare!	Dansk	54
Tekniske data, Spesielle sikkerhetshenvisninger, Formålsmessig bruk, CE-Samsvarserklæring, Batterier, Vedlikehold, Symboler	Vennligst les og oppbevar!	Norsk	59
Tekniska data, Säkerhetsutrustning, Använd maskinen Enligt anvisningarna, CEFörsäkran, Batterier, Skötsel, Symboler	Läs igenom och spara!	Svenska	64
Tekniset arvot, Turvallisuusohjeet, Tarkoituksenmukainen käyttö, Todistus CE-standardinmukaisuudesta, Akku, Huolto, Symbolit	Lue ja säilytä!	Suomi	69
Τεχνικά στοιχεία, Ειδικές υποδείξεις ασφαλείας, Χρήση σύμφωνα με το σκοπό προοριμού, Δήλωση πιστότητας ΕΚ, Μπαταρίες, Συντήρηση, Σύμβολα.	Παρακαλούμε να τις διαβάσετε και να τις φυλάξετε!	Ελληνικά	74
Teknik veriler, Güvenliğiniz için talimatlar, Kullanım, CE uygunluk beyanice, Akü, Bakım, Semboller	Lütfen okuyun ve saklayın	Türkçe	79
Technická data, Speciální bezpečnostní upozornění, Oblast využití, Ce-prohlášení o shodě, Akumulátory, Údržba, Symboly	Po přečtení uschovejte	Česky	84
Technické údaje, Špeciálne bezpečnostné pokyny, Použitie podľa predpisov, CE-Vyhľadanie konformity, Akumulátory, Údržba, Symboly	Prosím prečítať a uschovať!	Slovensky	89
Dane techniczne, Specjalne zalecenia dotyczace bezpieczenstwa, Uzytkowanie zgodne z przeznaczeniem, Swiadectwo zgodnosci ce, Batterie Akumulatorowe, Utrzymanie, Symbole	Należy uważnie przeczytać i zachować do wglądu!	Polski	94
Műszaki adatok, Különleges biztonsági tudnivalók, Rendeltetésszerű használat, A-azonossági nyilatkozat, Akuk, Karbantartás, Szimbólumok	Olvassa el és őrizze meg	Magyar	99
Tehnični podatki, Specialni varnostni napotki, Uporaba v skladu z namembnostjo, Ce-izjava o konformnosti, Akumulatorji, Vzdrževanje, Simboli	Prosimo preberite in shranite!	Slovenščina	104
Tehnički podaci, Specijalne sigurnosne upute, Propisna upotreba, CE-Izjava konformnosti, Baterije, Održavanje, Simboli	Molimo pročitati i sačuvati	Hrvatski	109
Tehniskie dati, Speciālie drošības noteikumi, Noteikumiem atbilstošs izmantojums, Atbilstība CE normām, Akumulātori, Apkope, Simboli	Lūdzu, izlasīt un uzglabāt!	Latviski	114
Techniniai duomenys, Ypatingos saugumo nuorodos, Naudojimas pagal paskirti, CE Atitikties pareiškimas, Akumulatoriai, Techninis aptarnavimas, Simboliai	Prašome perskaityti ir neišmesti!	Lietuviškai	119
Tehnilised andmed, Spetsiaalsed turvajuhtised, Kasutamise vastavalt otstarbele, EÜ Vastavusavaldus, Akud, Hooldus, Sümbolid	Palun lugege läbi ja hoidke alal!	Eesti	124
Технические данные, Указания по безопасности, Использование, Декларация о соответствии стандартам ЕС, Аккумулятор, Обслуживание, Символы	Пожалуйста прочтите и сохраните эту инструкцию.	Русский	129
Технически данни, Специални указания за безопасност, Използване по предназначение, CE - Декларация за съответствие, Аккумулятори, Поддръжка, Символи	Моля прочетете и запазете!	Български	134
Date tehnice, Instrucțiuni de securitate, Condiții de utilizare specifice, Declarație de conformitate, Acumulatori, Întreținere, Simboluri	Va rugăm citiți și păstrați aceste instrucțiuni	Română	139
Технички податоци, Упатства за употреба, Специфицирани услови на употреба, ЕУ- декларација за Сообразност, Батерии, Одржување, Символи	Ве молиме прочитајте го и чувајте го ова упатство!	Македонски	144
Технічні характеристики, Вказівки з Техніки Безпеки, Використання за призначенням, Сертифікат Відповідності Вимогам ЄС, Акумуляторні батареї, Обслуговування, Символи	Прочитайте та збережіть цю інструкцію.	Українська	149
البيانات الفنية، تعليمات السلامة، شروط الاستخدام المحددة، البطاريات، إعلان المطابقة - الاتحاد الأوروبي، الصيانة، الرموز	يُرجى قراءة وحفظ هذه التعليمات!	العربية	153

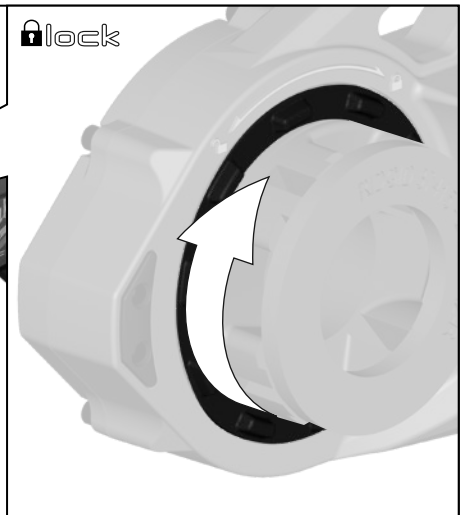
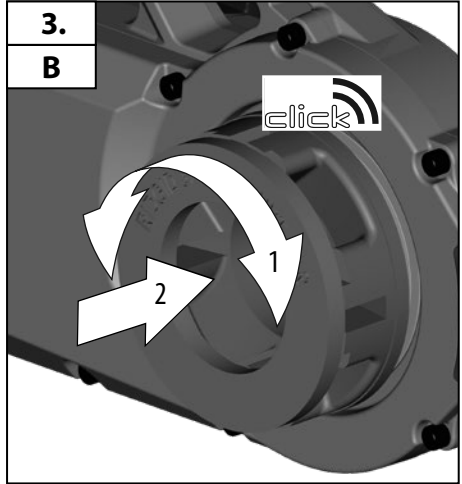
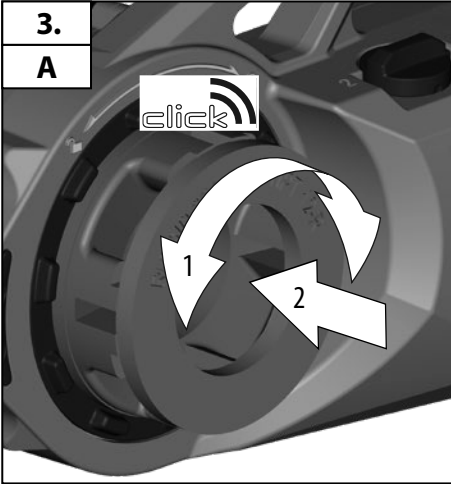
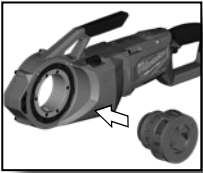


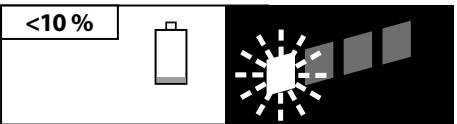
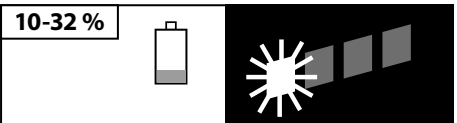
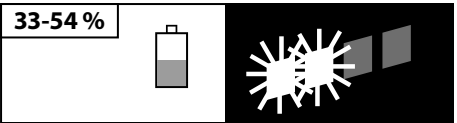
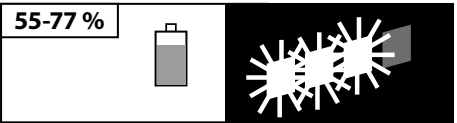
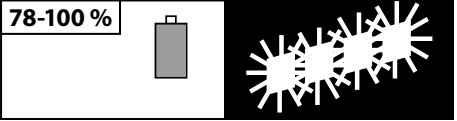
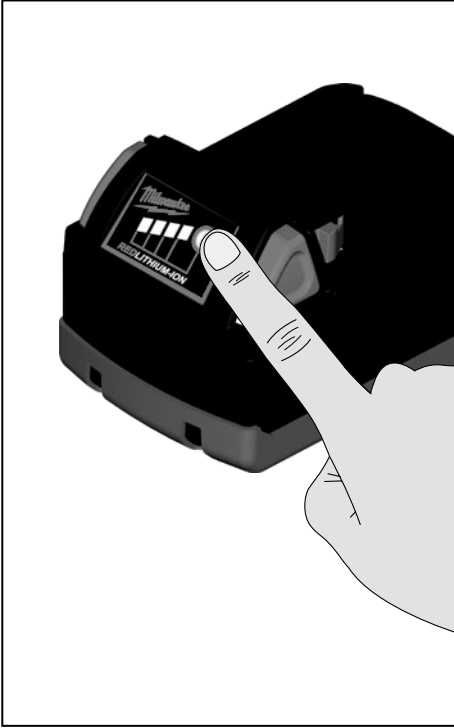


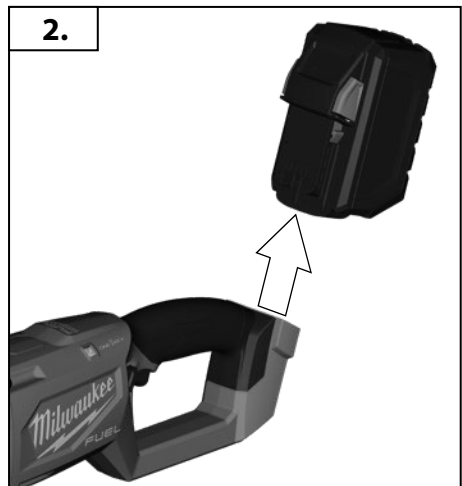
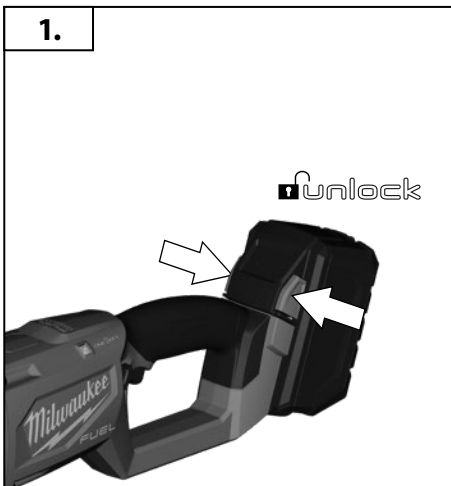
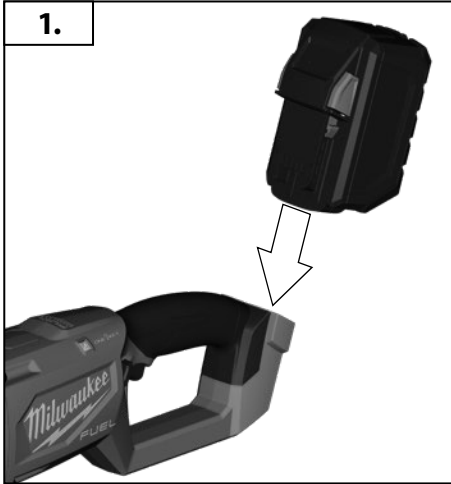


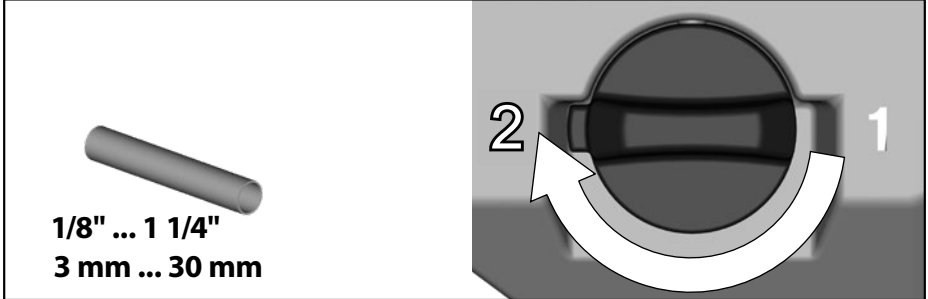
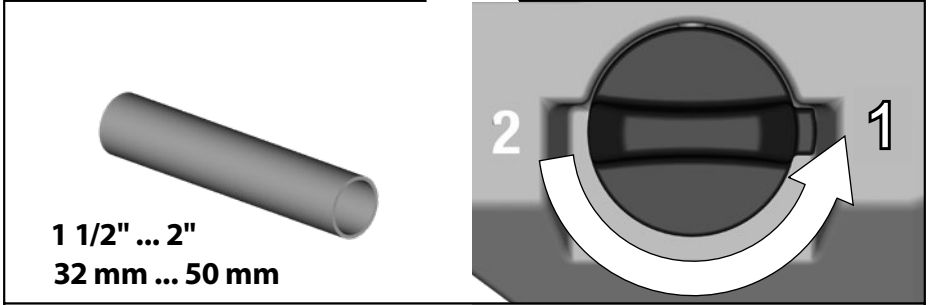
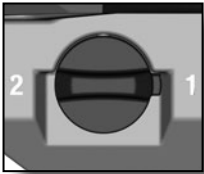
ische Daten . Technical Da
caractéristiques techniq
as . D
techni . Datos técnico
nik veri
Características . Techni
data . Techni
Tehni
Tehni
podaci
indmed
неско
анни
данные .
Technische
evens

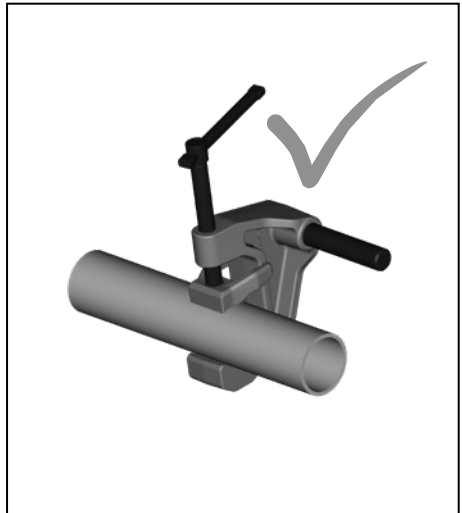
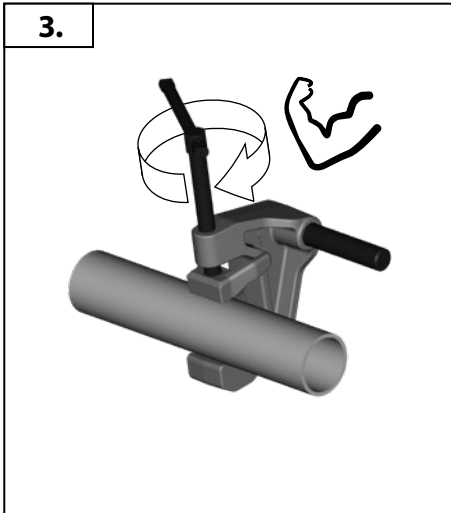
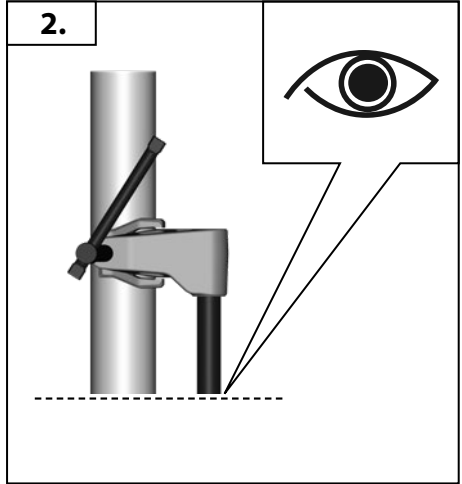
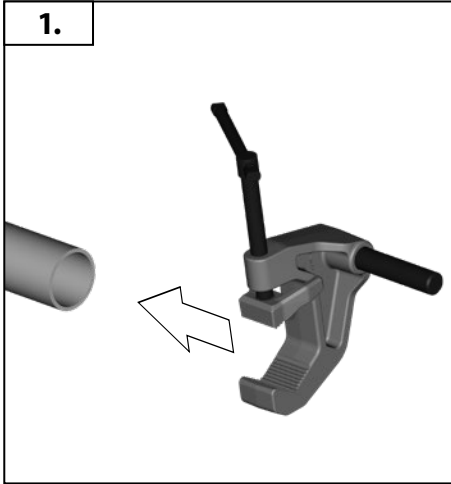








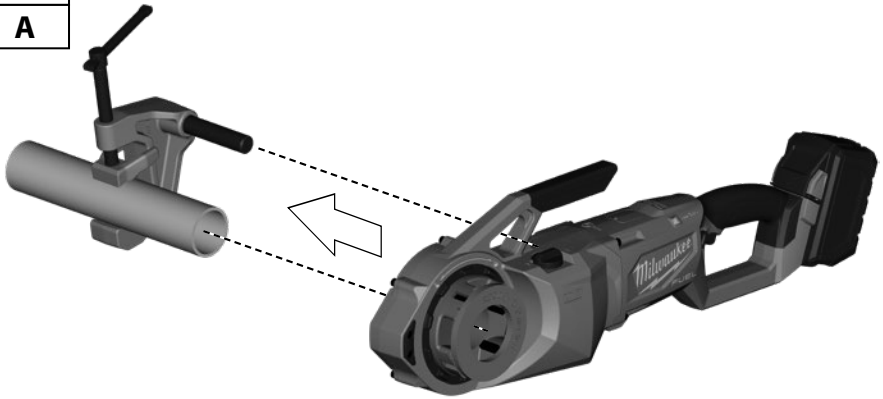






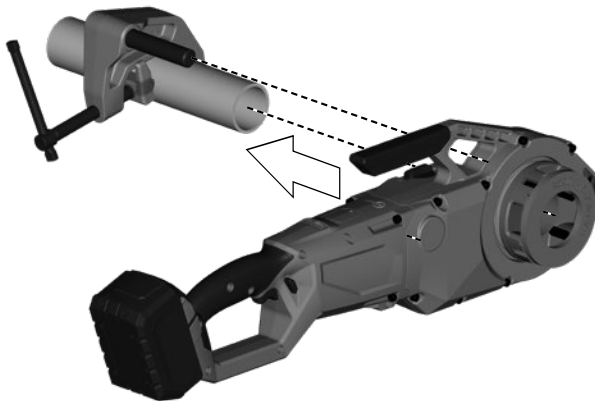
1.

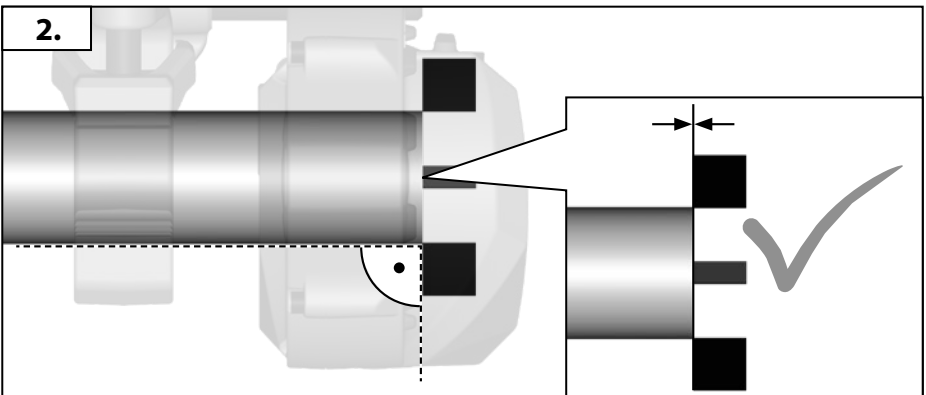
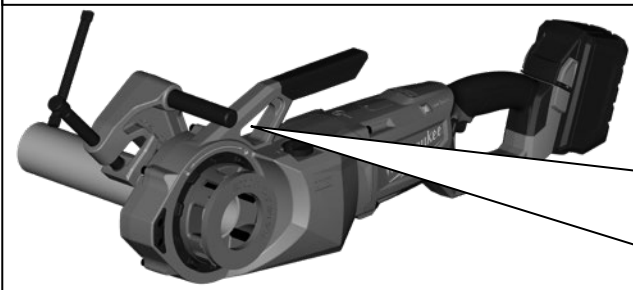
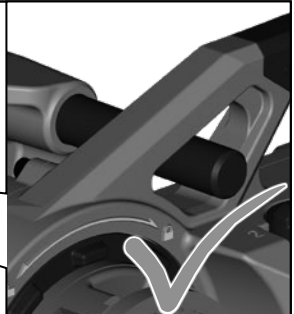
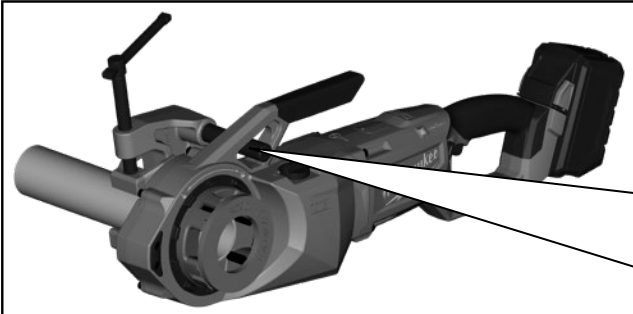
A



1.

B







START
STOP



START
STOP



Insulated gripping surface

Isolierte Grifffläche
Surface de prise isolée
Superficie di presa isolata
Superficie de agarre con aislamiento
Superficie de pega isolada
Geïsoleerde handgrepen
Isolerede gripbeholder
Isolert gripeflate
Isolerad greppyta

Eristetty tarttumapinta
Μονωμένη επιφάνεια λαβής
İzolasyonlu tutma yüzeyi
Izolovaná uchoповací plocha
Izolovaná úchopná plocha
Izolowana powierzchnia uchwytu
Szigetelt fogófelület
Izolirana prijemalna površina
Izolirana površina za držanje
Izolēta satveršanas virsma

Izoliuotas rankenos paviršius
Isolieritud pideme piirkond
Изолированная поверхность ручки
Изолирана повърхност за хващане
Suprafață de prindere izolată
Изолирана површина на дршката
Ізолювана поверхня ручки
مساحة المقبض المعزولة



Support device: always use the support device provided with the tool.

Stützbügel: verwenden Sie immer den mit dem Werkzeug gelieferten Stützbügel.

Dispositif de support: toujours utiliser le dispositif de support fourni avec l'appareil.

Dispositivo di supporto: utilizzare sempre il dispositivo di supporto fornito in dotazione con l'utensile.

Dispositivo de sujeción: utilice siempre el dispositivo de sujeción que se suministra con la herramienta.

Dispositivo de suporte: utilize sempre o dispositivo de suporte fornecido com a ferramenta.

Steun: gebruik altijd de steun behorende bij het gereedschap.

Støtteenhed: Brug altid den støtteenhed, der følger med værktøjet.

Støttehet: Bruk alltid støtteheten som følger med verktøyet.

Stödordning: använd alltid stödordning som följer med verktyget.

Tukilaite: Käytä aina työkalun mukana toimitettua tukilaitetta.

Διάταξη υποστήριξης: Χρησιμοποιείτε πάντα τη διάταξη υποστήριξης που παρέχεται με το εργαλείο.

Destek cihazı: Her zaman aletle birlikte sağlanan destek cihazını kullanın.

Podpěrné zařízení: Vždy používejte podpěrné zařízení dodávané s nástrojem.

Podporné zariadenie: Vždy používajte podporné zariadenie dodávané s nástrojom.

Podpórka: Zawsze używaj podpórki dostarczonej z narzędziem.

Tartóeszköz: Mindig használja a szerszámhoz mellékelt tartóeszközt.

Podporna naprava: vedno uporabljajte podporno napravo, priloženo orodju.

Pomoćni uređaj: uvijek upotrebljavajte pomoćni uređaj isporučen s alatom.

Atbalsta ierīce: vienmēr izmantojiet darbarīka komplektācijā iekļauto atbalsta ierīci.

Atraminis įtaisas: Visada naudokite su įrankiu pateikiamą atraminį įtaisą.

Tugiseade Kasutage alati tööriistaga kaasas olevat tugiseadet.

Опорная конструкция: всегда используйте опорную конструкцию, предоставленную вместе с инструментом.

Опорно устройство: винаги използвайте опорното устройство, предоставено заедно с инструмента.

Dispozitiv de susținere: utilizați întotdeauna dispozitivul de susținere livrat împreună cu dispozitivul.

Уред за потпирање: Секогаш користете го уредот за потпирање доставен со алатот.

Опорна конструкција: завжди ви користовувајте опорну конструкција, надану разом з инструментом.

تجهیزة التددعیم: استخدم دائماً تجهیزة التددعیم الموردة مع الأداة.

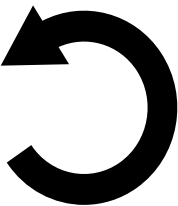
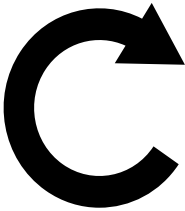
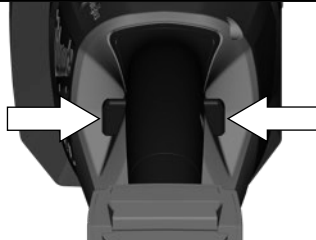
START
STOP
VI



**START
STOP**

Start

1.





Start

2.

ca. 50 N ... 150 N

max.

**START
STOP**

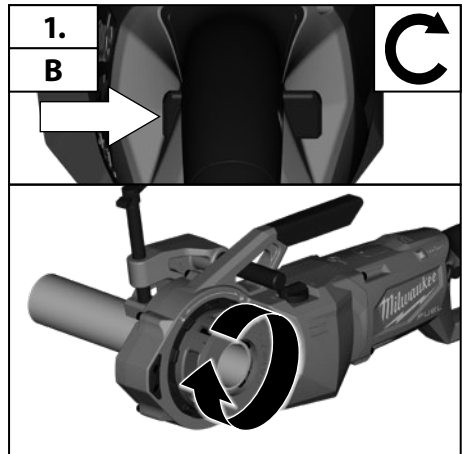
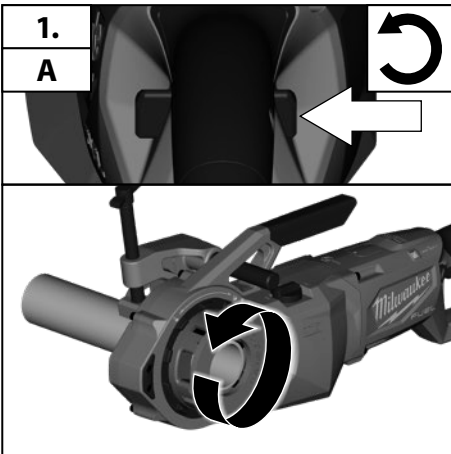
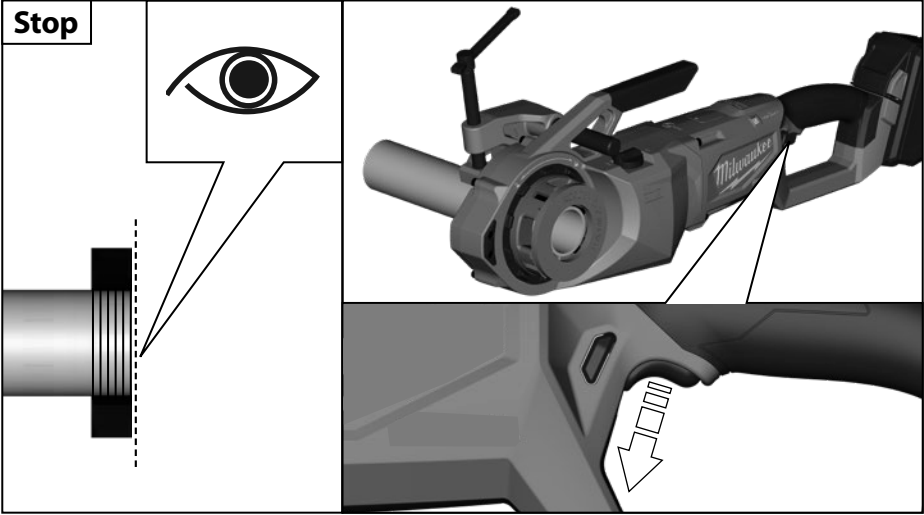
VI

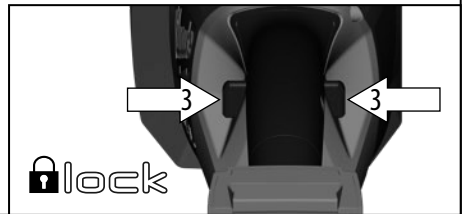
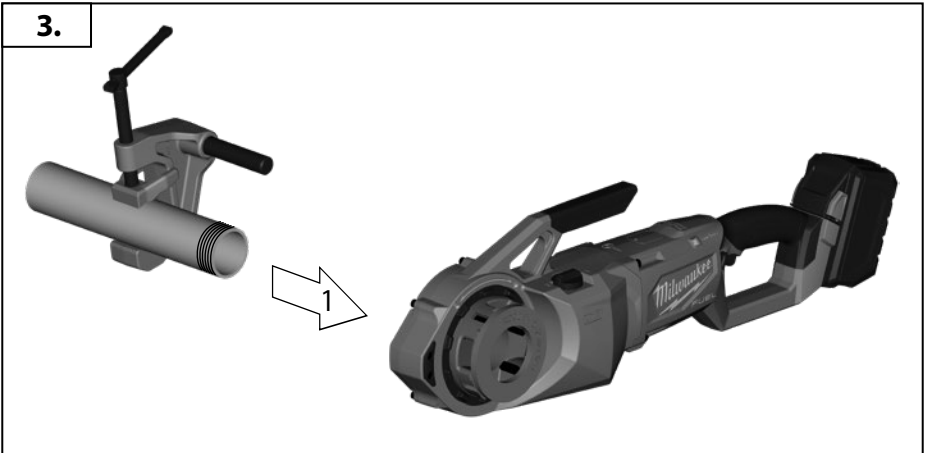
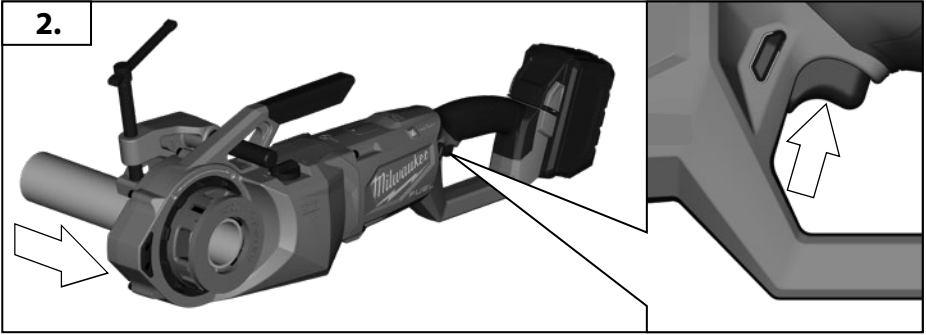
3.

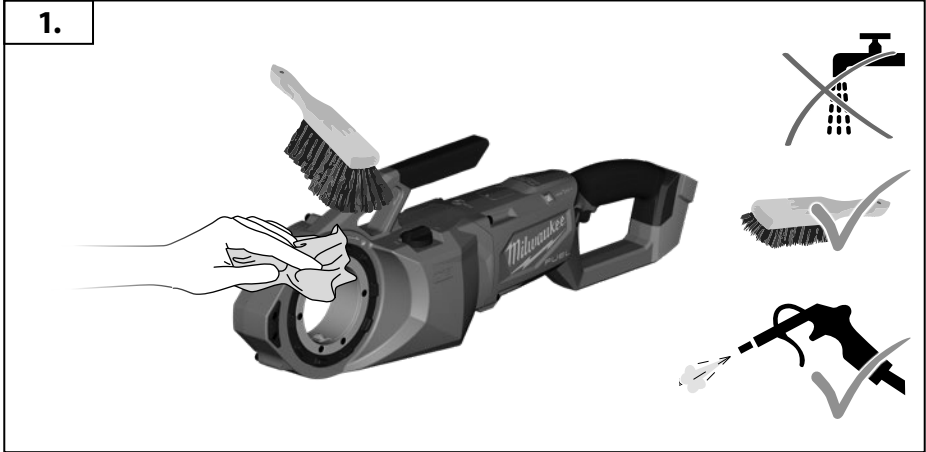
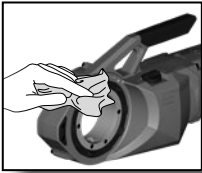
OIL



START
STOP
V









ONE KEY

Milwaukee

REPORT

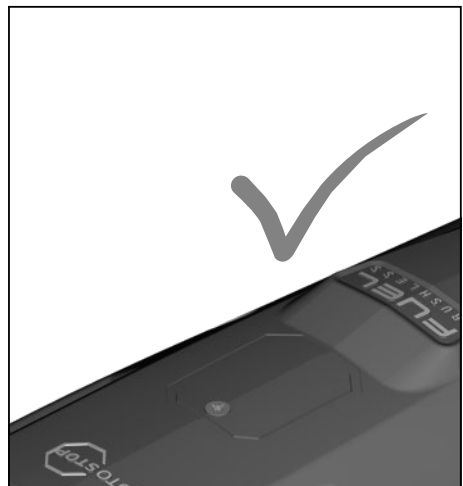
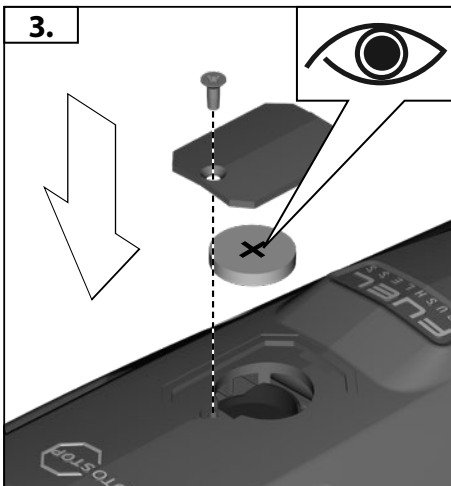
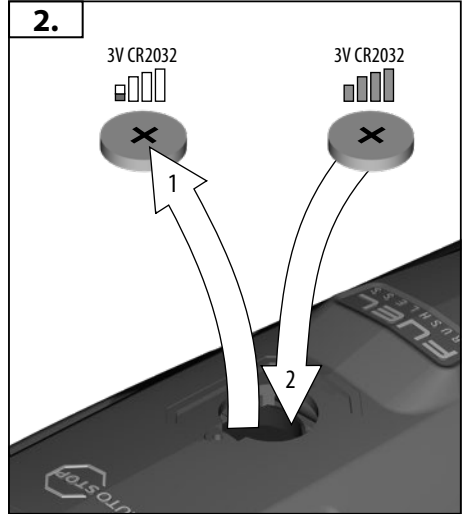
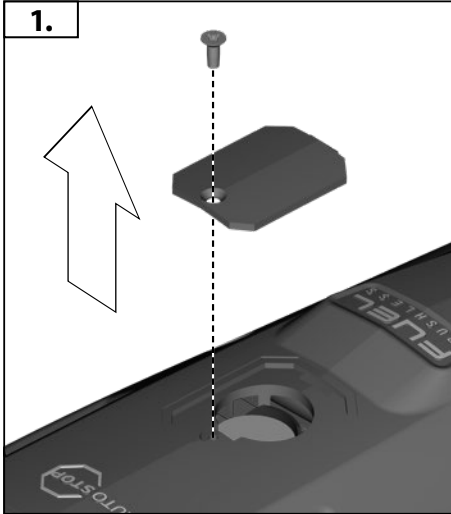


ONE KEY

VIII



ONE KEY
VIII



TECHNICAL DATA Pipe Threader	M18 FPT2
Production code	4773 51 01 000001-999999
Frequency band(s) of Bluetooth	2402 - 2480 MHz
Radio-frequency power	1,8 dBm
Bluetooth version	4.0 BT signal mode
Battery technology	Li-Ion
Battery voltage	18 V
Rated speed	
1. Gear	0 min ⁻¹ ... 29 min ⁻¹
2. Gear	0 min ⁻¹ ... 41 min ⁻¹
Capacity	
1. Gear	1 1/2" ... 2" 32 mm ... 50 mm
2. Gear	1/8" ... 1 1/4" 3 mm ... 30 mm
Die Heads	Ridgid 12-R
Weight according EPTA-Procedure 01/2014 (Li-Ion 2.0 Ah ... 12.0 Ah)	10,54 kg ... 11,60 kg
Recommended Ambient Operating Temperature	-18 °C ... +50 °C
Recommended battery types	M18B... min. 6.0 Ah M18HB...
Recommended charger	M12-18..., M1418C6
Noise information	
Measured values determined according to EN 62841. Typically, the A-weighted noise levels of the tool are:	
Sound pressure level (Uncertainty K=3dB(A))	74,2 dB(A)
Sound power level (Uncertainty K=3dB(A))	85,2 dB(A)
Wear ear protectors!	
Vibration information	
Vibration total values (triaxial vector sum) determined according to EN 62841	
Vibration emission value a _{hmax}	1,6 m/s ²
Uncertainty K=	1,5 m/s ²



WARNING!

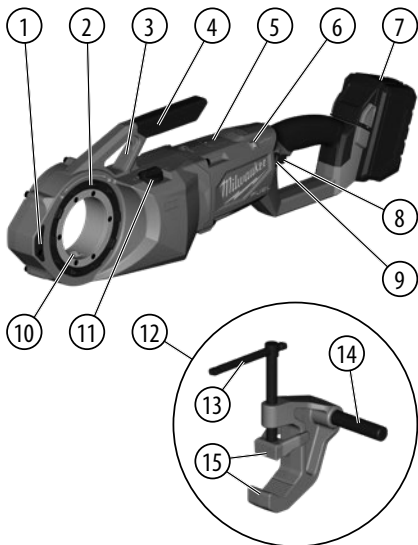
The vibration and noise emission level given in this information sheet has been measured in accordance with a standardized test given in EN 62841 and may be used to compare one tool with another. It may be used for a preliminary assessment of exposure.

The declared vibration and noise emission level represents the main applications of the tool. However if the tool is used for different applications, with different accessories or poorly maintained, the vibration and noise emission may differ. This may significantly increase the exposure level over the total working period.

An estimation of the level of exposure to vibration and noise should also take into account the times when the tool is switched off or when it is running but not actually doing the job. This may significantly reduce the exposure level over the total working period.

Identify additional safety measures to protect the operator from the effects of vibration and/or noise such as: maintain the tool and the accessories, keep the hands warm, organization of work patterns.

Wear ear protectors. Exposure to noise can cause hearing loss.



- Do not use dies that are showing signs of wear, dull, or damaged. Sharp cutting tools require less torque and the tool is easier to control.
- **Only use:**
 - Rems Quick change 1/8" ... 2" (with adapter rings)
 - Rothenberger Die Heads 1/4" ... 2" (with adapter rings)
 - Ridgid 11-R 1/4" ... 2" (with adapter rings)
 - Ridgid 12-R
- **Do not store die heads in tool to prevent metal on metal wear.**
- **Always use common sense and be cautious when using tools.** It is not possible to anticipate every situation that could result in a dangerous outcome. Do not use this tool if you do not understand these operating instructions or you feel the work is beyond your capability; contact Milwaukee Tool or a trained professional for additional information or training.
- **Maintain labels and nameplates.** These carry important information. If unreadable or missing, contact a MILWAUKEE service facility for a free replacement.

Device description

- | | |
|-----------------------------|------------------|
| ① Side grip | ⑨ Control switch |
| ② Die head locking ring | ⑩ Torque keys |
| ③ Support arm bracing point | ⑪ Speed selector |
| ④ Carry handle | ⑫ Support clamp |
| ⑤ Internal battery | ⑬ Tightening arm |
| ⑥ ONE KEY indicator | ⑭ Support arm |
| ⑦ Battery pack | ⑮ Jaws |
| ⑧ Trigger | |

⚠ WARNING

Some dust created by power sanding, sawing, grinding, drilling, and other construction activities contains chemicals known to cause cancer, birth defects or other reproductive harm. Some examples of these chemicals are:

- lead from lead-based paint
- crystalline silica from bricks and cement and other masonry products, and
- arsenic and chromium from chemically-treated lumber.

Your risk from these exposures varies, depending on how often you do this type of work. To reduce your exposure to these chemicals: work in a well ventilated area, and work with approved safety equipment, such as those dust masks that are specially designed to filter out microscopic particles.

⚠ WARNING

Read all safety warnings, instructions, illustrations and specifications provided with this power tool. Failure to follow all instructions listed below may result in electric shock, fire and/or serious injury.

Save all warnings and instructions for future reference.

⚠ SAFETY INSTRUCTIONS FOR PIPE THREADERS

- Always use the support device provided with the tool. Loss of control during operation can result in personal injury.
- Keep sleeves and jackets buttoned while operating the tool. Do not reach across the tool or pipe. Clothing can be caught by the pipe or the tool resulting in entanglement.
- Only one person must control the work process and tool operation. Additional people involved in the process may result in unintended operation and personal injury.
- Keep floors dry and free of slippery materials such as oil. Slippery floors invite accidents.

Additional Safety and Working Instructions

- When threading or backing die head off pipe, firmly hold the tool to resist forces regardless of support device used. This will reduce the risk of striking, crushing and other injuries.

SPECIFIED CONDITIONS OF USE

This tool is specified for cutting pipe threads and bolt threads for right and left hand threads up to 2" size. Other uses not for the intended purpose are prohibited.

ASSEMBLY

⚠ WARNING

Only use accessories specially recommended for this tool. Others may be hazardous.

Installing / Removing Die Heads

Die head can be inserted from either side of the tool.

Die head/adaptor must be inserted from the correct side of the tool.

1. Remove battery pack.
2. Assemble the die heads/adaptors as shown
3. Always check the die head is locked into the tool before starting a cut.
4. To remove, unlock the die head lock ring and pull the die head from the tool.

OPERATION

Resisting Threading Forces

Always use the support device provided with the tool. The support arm clamps to the pipe and helps to resist the threading forces.

WARNING! Loss of control during operation can result in personal injury.

Selecting Speed

The speed selector is on top of the housing. Allow the tool to come to a complete stop before changing speeds.

Using the Control Switch

The control switch may be set to three positions: Clockwise, counterclockwise, and lock. Always allow the motor to come to a complete stop before using the control switch.

For clockwise rotation, push in the control switch from the left side of the tool. **Check the direction of rotation before use. This rotation will produce right-hand threads when the die is inserted from the left (front) side of the tool.**

For counterclockwise rotation, push in the control switch from the right side of the tool. **Check the direction of rotation before use. This rotation will produce right-hand threads when the die is inserted from the right (back) side of the tool.**

Always lock the trigger or remove the battery pack before performing maintenance, changing accessories, storing the tool and any time the tool is not in use.

Threading

Properly prepare the pipe. Make sure the pipe is squarely cut and deburred. Pipe cut at an angle can damage the dies while threading and can cause difficulty engaging the die head. The pipe must be stable and secured to prevent tipping during use. Use appropriate pipe stands to support pipe length.

WARNING! Do not wear jewelry, loose fitting clothing, or use a rag while operating tool. Do not wear gloves prone to snagging while pushing on or near moving parts; this increases the risk of entanglement and injury. Once the dies engage the pipe, threads will be cut as the dies pull themselves onto the end of the pipe.

WARNING! Always firmly hold the tool to resist the tool forces. Support devices could, in rare cases, slip and allow the tool to move.

Use an oiler to apply a generous quantity of thread-cutting oil to the area. This will lower the necessary threading torque, improve thread quality, and increase die life.

WARNING! Cuttings may be sharp. Clean up any oil spills to maintain a safe work environment.

For Left-Handed Threads, reverse the clockwise/counterclockwise selections.

Inspecting Threads/Using a Ring Gauge

1. Wipe any oil, chips or debris from the thread.
2. Inspect the thread. Threads should be smooth, complete, and in good form. If irregularities such as thread tearing, thin threads, or pipe out-of-roundness are seen, the thread may not seal.

3. To check the size of the thread with a ring gauge, thread the gauge onto the pipe and hand-tighten. The end of the pipe should be flush with the side of the gauge (plus or minus one turn). If thread does not gauge properly, cut off the thread, adjust the die head, and cut another thread. **WARNING!** Using a thread that does not gauge properly can cause leaks.

MAINTENANCE

Remove the battery pack before starting any work on the appliance.

Never open the pipe threader, removable battery or charger.

Check the pipe threader for any problems such as noise or jamming of moving parts that could be affecting the tool.

Check the cutting tools for cracks and other signs of wear.

Clean dust and debris from openings. Keep handle clean, dry and free of oil or grease. Use only mild soap and a damp cloth to clean, since certain cleaning agents and solvents are harmful to plastics and other insulated parts. Some of these include gasoline, turpentine, lacquer thinner, paint thinner, chlorinated cleaning solvents, ammonia and household detergents containing ammonia. Never use flammable or combustible solvents around tools.

Check that the dies are sharp and replace worn dies always as a complete set.

Replace the dies when they become chipped or damaged.

Always replace dies as a complete set.

To avoid injury and damage, never immerse the tool, removable battery or charger in liquid or allow liquid to penetrate them.

The ventilation slots of the machine must be kept clear at all times.

Further service and repair work may only be carried out by authorised specialist workshops.

Use only Milwaukee accessories and Milwaukee spare parts. Should components need to be replaced which have not been described, please contact one of our Milwaukee service agents (see our list of guarantee/service addresses).

If needed, an exploded view of the tool can be ordered. Please state the Article No. as well as the machine type printed on the label and order the drawing at your local service agents or directly at: Techtronic Industries GmbH, Max-Eyth-Straße 10, 71364 Winnenden, Germany.

ONE-KEY™

To learn more about the ONE-KEY functionality of this device, please refer to the Quick Start guide included with this product or go to <http://www.milwaukeekeetool.com/one-key>

To download the ONE-KEY app, visit the App Store or Google Play from your smart device.

We considered the result to be within our minimum acceptable performance level according to EN 301 489-1/ EN 301 489-17. And we will give the operation guidance to the customer in user manual.



BATTERIES

Battery packs which have not been used for some time should be recharged before use.

Temperatures in excess of 50°C (122°F) reduce the performance of the battery pack. Avoid extended exposure to heat or sunshine (risk of overheating).

The contacts of chargers and battery packs must be kept clean.

For an optimum life-time, the battery packs have to be fully charged, after use.

To obtain the longest possible battery life remove the battery pack from the charger once it is fully charged.

For battery pack storage longer than 30 days:

Store the battery pack where the temperature is below 27°C and away from moisture

Store the battery packs in a 30% - 50% charged condition

Every six months of storage, charge the pack as normal.

No metal parts must be allowed to enter the battery section of the charger (short circuit risk).

BATTERY PACK PROTECTION

In extremely high torque, binding, stalling and short circuit situations that cause high current draw, the tool will vibrate for about 2 seconds and then the tool will turn OFF.

TRANSPORTING LITHIUM BATTERIES

Lithium-ion batteries are subject to the Dangerous Goods Legislation requirements.

Transportation of those batteries has to be done in accordance with local, national and international provisions and regulations.

The user can transport the batteries by road without further requirements.

Commercial transport of Lithium-Ion batteries by third parties is subject to Dangerous Goods regulations. Transport preparation and transport are exclusively to be carried out by appropriately trained persons and the process has to be accompanied by corresponding experts.

When transporting batteries:

Ensure that battery contact terminals are protected and insulated to prevent short circuit. Ensure that battery pack is secured against movement within packaging. Do not transport batteries that are cracked or leak. Check with forwarding company for further advice.

EC-DECLARATION OF CONFORMITY

We declare under our sole responsibility that the product described under "Technical Data" fulfills all the relevant provisions of the directives

2011/65/EU (RoHS)

2006/42/EC

2014/53/EU

and the following harmonized standards have been used

EN 62841-1:2015

EN 62841-2-9:2015

EN 55014-1:2017+A11:2020

EN 55014-2:2015

EN 301 489-1 V2.2.3

EN 301 489-17 V3.1.1

EN 300 328 V2.2.2

EN 62479:2010

EN IEC 63000:2018



Winnenden, 2020-11-09

Alexander Krug / Managing Director

Authorized to compile the technical file

Techtronic Industries GmbH

Max-Eyth-Straße 10, 71364 Winnenden, Germany

GB-DECLARATION OF CONFORMITY

We declare as the manufacturer under our sole responsibility that the product described under "Technical Data" fulfills all the relevant provisions of the following Regulations S.I. 2012/3032 (as amended), S.I. 2008/1597 (as amended), S.I. 2017/1206 (as amended) and that the following designated standards have been used:

BS EN 62841-1:2015

BS EN 62841-2-9:2015

BS EN 55014-1:2017+A11:2020

BS EN 55014-2:2015

EN 301 489-1 V2.2.3

EN 301 489-17 V3.1.1

EN 300 328 V2.2.2

BS EN 62479:2010

BS EN IEC 63000:2018

Winnenden, 2020-11-09

Alexander Krug / Managing Director

Authorized to compile the technical file

Techtronic Industries GmbH

Max-Eyth-Straße 10, 71364 Winnenden, Germany

English

SYMBOLS



CAUTION! WARNING! DANGER!



Remove the battery pack before starting any work on the appliance.



Keep hands away from moving parts.



Please read the instructions carefully before starting the machine.



Always wear goggles when using the machine.



Always use support arm.



Always wear leather gloves.



This device contains a button-type/coin cell lithium battery.



Voltage



Direct Current



Do not dispose electric tools, batteries/rechargeable batteries together with household waste material. Electric tools and batteries that have reached the end of their life must be collected separately and returned to an environmentally compatible recycling facility. Check with your local authority or retailer for recycling advice and collection point.



European Conformity Mark



British Conformity Mark



Ukraine Conformity Mark



EurAsian Conformity Mark



TECHNISCHE DATEN Rohrgewindeschneider	M18 FPT2
Produktionsnummer	4773 51 01 000001-999999
Frequenzband Bluetooth	2402 - 2480 MHz
Hochfrequenzleistung	1,8 dBm
Bluetooth-Version	4.0 BT signal mode
Akkutechnologie	Li-Ion
Spannung Wechselakku	18 V
Nenn Drehzahl	
1. Gang	0 min ⁻¹ ... 29 min ⁻¹
2. Gang	0 min ⁻¹ ... 41 min ⁻¹
Kapazität	
1. Gang	1 1/2" ... 2" 32 mm ... 50 mm
2. Gang	1/8" ... 1 1/4" 3 mm ... 30 mm
Schneidköpfe	Ridgid 12-R
Gewicht nach EPTA-Prozedur 01/2014 (Li-Ion 2.0 Ah ... 12.0 Ah)	10,54 kg ... 11,60 kg
Empfohlene Umgebungstemperatur für den Betrieb	-18 °C ... +50 °C
Empfohlene Akku Typen	M18B... min. 6.0 Ah M18HB...
Empfohlene Ladegeräte	M12-18..., M1418C6
Geräuschinformation	
Messwerte ermittelt entsprechend EN 62841. Der A-bewertete Geräuschpegel des Gerätes beträgt typischerweise:	
Schalldruckpegel (Unsicherheit K=3dB(A))	74,2 dB(A)
Schallleistungspegel (Unsicherheit K=3dB(A))	85,2 dB(A)
Gehörschutz tragen!	
Vibrationsinformationen	
Schwingungsgesamtwerte (Vektorsumme dreier Richtungen) ermittelt entsprechend EN 62841.	
Schwingungsemissionswert a _{hmax}	1,6 m/s ²
Unsicherheit K=	1,5 m/s ²



D

WARNUNG!

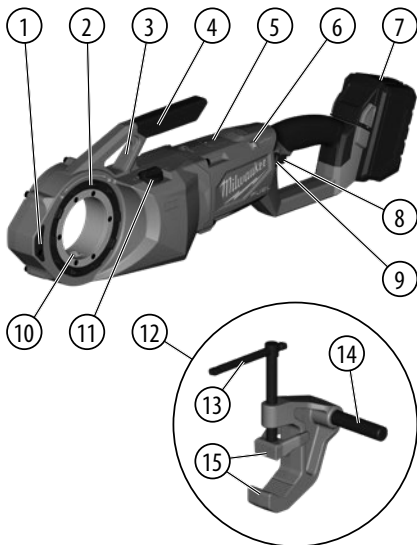
Die angegebenen Schwingungsgesamtwerte und Geräuschemissionswerte wurden nach einem genormten Messverfahren gemäß EN 62841 gemessen und können für den Vergleich von Elektrowerkzeugen miteinander verwendet werden. Sie können für eine vorläufige Einschätzung der Belastung verwendet werden.

Der angegebene Schwingungs- und Geräuschemissionspegel repräsentiert die hauptsächlichen Anwendungen des Elektrowerkzeugs. Wenn allerdings das Elektrowerkzeug für andere Anwendungen, mit abweichenden Einsatzwerkzeugen oder ungenügender Wartung eingesetzt wird, können sich die Schwingungs- und Geräuschemissionen unterscheiden. Dies kann deren Wirkung über den gesamten Arbeitszeitraum deutlich erhöhen.

Bei der Abschätzung der Belastung durch Schwingungen und Lärm sollten auch die Zeiten berücksichtigt werden, in denen das Elektrowerkzeug ausgeschaltet ist oder zwar läuft, aber keine tatsächliche Arbeit verrichtet wird. Dies kann deren Wirkung über den gesamten Arbeitszeitraum deutlich reduzieren.

Legen Sie zusätzliche Sicherheitsmaßnahmen zum Schutz des Bedieners vor den Auswirkungen von Schwingungen- und / oder Lärm fest, wie z. B.: Wartung des Werkzeugs und des Zubehörs, Warmhalten der Hände, Organisation der Arbeitsabläufe.

Tragen Sie Gehörschutz. Die Einwirkung von Lärm kann Hörverlust bewirken.



Gerätebeschreibung

- | | |
|------------------------|----------------------------------|
| ① Seitengriff | ⑨ Schalter für Links-/Rechtslauf |
| ② Schneidkopf-Sperrung | ⑩ Drehmomentmitnahme |
| ③ Aufnahme Rohrhalter | ⑪ Umschalter 1./2. Gang |
| ④ Tragegriff | ⑫ Rohrhalter |
| ⑤ Interne Knopfzelle | ⑬ Fixierhebel |
| ⑥ ONE KEY Anzeige | ⑭ Anschlag |
| ⑦ Akkupack | ⑮ Backen |
| ⑧ Gasgebeschalter | |

WARNUNG

Lesen Sie alle Sicherheitshinweise, Anweisungen, Bildertafeln und technischen Daten, mit denen dieses Elektrowerkzeug versehen ist. Versäumnisse bei der Einhaltung der nachfolgenden Anweisungen können elektrischen Schlag, Brand und/oder schwere Verletzungen verursachen.

Bewahren Sie alle Sicherheitshinweise und Anweisungen für die Zukunft auf.

SICHERHEITSHINWEISE FÜR ROHRGEWINDESCHNEIDER

- Stets den mit dem Werkzeug gelieferten Rohrhalter verwenden. Ein Kontrollverlust während des Betriebs kann zu Verletzungen führen.
- Ärmel und Jacken vor dem Betrieb des Werkzeugs zuknöpfen. Niemals den Arm über Werkzeug oder Rohr halten. Ansonsten kann sich Kleidung am Rohr oder Werkzeug verfangen.
- Nur eine Person darf den Arbeitsprozess ausführen und das Werkzeug bedienen. Die Beteiligung weiterer Personen kann zu einem unbeabsichtigten Betrieb und Verletzungen führen.
- Böden stets trocken und frei von rutschigen Materialien wie Öl halten. Ansonsten besteht Unfallgefahr.

Weitere Sicherheits- und Arbeitshinweise

- Das Werkzeug beim Schneiden oder Abnehmen von Schneidköpfen festhalten, um den unabhängig vom verwendeten Rohrhalter entstehenden Kräften entgegenzuwirken. Dies verringert das Risiko von Schlägen, Quetschungen und anderen Verletzungen.
- Keine Gebrauchsspuren aufweisende, stumpfe oder beschädigte Schneidköpfe verwenden. Scharfe Schneidwerkzeuge erfordern weniger Drehmoment und sind leichter zu kontrollieren.
- Ausschließlich Folgendes verwenden:**
 - Rems Quick change 1/8" ... 2" (mit Adapterringen)
 - Rothenberger Schneidköpfe 1/4" ... 2" (mit Adapterringen)
 - Ridgid 11-R 1/4" ... 2" (mit Adapterringen)
 - Ridgid 12-R
- Schneidköpfe nicht im Werkzeug belassen, um Verschleiß von Metall auf Metall zu vermeiden.**
- Bei der Verwendung von Werkzeugen stets gesunden Menschenverstand anwenden und mit äußerster Sorgfalt vorgehen.** Es ist unmöglich, alle Situationen mit Gefahrenpotenzial vorherzusehen. Dieses Werkzeug nicht verwenden, wenn Sie die Bedienungsanweisungen nicht verstehen oder das Gefühl haben, dass Sie der Arbeit nicht gewachsen sind. Für zusätzliche Informationen oder Schulungen wenden Sie sich an Milwaukee Tools oder einen Fachmann.
- Etiketten und Typenschilder nicht entfernen.** Diese Schilder enthalten wichtige Informationen. Wenn diese Hinweisschilder nicht mehr leserlich sind oder fehlen, wenden Sie sich an den MILWAUKEE-Kundendienst, um kostenlosen Ersatz zu erhalten.

WARNUNG

Staub von elektrischen Schleif-, Schneid-, Bohr- und anderen Bauarbeiten enthält Chemikalien, die Krebs, Geburtsschäden oder andere Schäden der Fortpflanzungsfähigkeit verursachen können. Dazu gehören unter anderem:

- Blei aus bleihaltigen Farben
- kristallines Siliziumdioxid aus Ziegelsteinen und Zement oder anderen Maurererzeugnissen, sowie
- Arsen und Chrom aus chemisch behandeltem Holz.

Die Risiken durch eine solche Exposition sind vielfältig und von der Häufigkeit der ausgeführten Arbeiten abhängig. Um eine übermäßige Exposition zu vermeiden, nur in gut belüfteten Umgebungen arbeiten und geeignete Sicherheitsausrüstungen, wie speziell zur Filterung mikroskopischer Partikel entwickelte Staubmasken, verwenden.

BESTIMMUNGSGEMÄSSE VERWENDUNG

Dieses Werkzeug ist zum Schneiden von Rohr- und Bolzengewinden mit Rechts- und Linksgewinde bis 2 Zoll vorgesehen. Andere Verwendungszwecke sind verboten.

MONTAGE

WARNUNG

Nur speziell für dieses Werkzeug empfohlenes Zubehör verwenden. Andere Komponenten können gefährlich sein. Installieren/Entfernen von Schneidköpfen

Schneidköpfe können von beiden Seiten des Werkzeugs eingesetzt werden.



Schneidköpfe/Adapter müssen von der richtigen Seite des Werkzeugs installiert werden.

1. Akkupack entfernen.
2. Schneidkopf/Adapter wie gezeigt montieren
3. Vor dem Schneiden immer prüfen, ob der Schneidkopf im Werkzeug eingearbeitet ist.
4. Zum Entfernen den Sicherungsring des Schneidkopfes entriegeln und diesen vom Werkzeug abziehen.

BEDIENUNG

Widerstand gegen Torsionskräfte

Immer den mit dem Werkzeug gelieferten Rohrhalter verwenden. Dieser wird am Rohr festgeklemmt und hilft, den Torsionskräften entgegenzuwirken.

WARNUNG! Ein Kontrollverlust während des Betriebs kann zu Verletzungen führen.

Auswahl Geschwindigkeit

Der Umschalter 1./2. Gang befindet sich oberhalb am Gehäuse. Das Werkzeug vor dem Ändern der Geschwindigkeit vollständig zum Stillstand kommen lassen.

Verwendung des Schalters für Links-/Rechtslauf

Der Schalter bietet drei Positionen: Rechtslauf, Rechtslauf und Verriegelung. Vor Verwendung des Schalters den Motor immer zum vollständigen Stillstand kommen lassen.

Für Rechtslauf, den Schalter von der linken Seite des Werkzeugs betätigen. **Vor dem Gebrauch die Drehrichtung prüfen. Bei dieser Einstellung wird ein Rechtsgewinde geschnitten, wenn der Schneidkopf über die linke (vordere) Seite des Werkzeugs eingesetzt wird.**

Für Linkslauf, den Schalter von der rechten Seite des Werkzeugs betätigen. **Vor dem Gebrauch die Drehrichtung prüfen. Bei dieser Einstellung wird ein Rechtsgewinde geschnitten, wenn der Schneidkopf über die rechte (hintere) Seite des Werkzeugs eingesetzt wird.**

Vor der Durchführung von Wartungsarbeiten, dem Wechseln von Zubehör oder bei Lagerung/Nichtverwendung des Werkzeugs immer den Abzug verriegeln oder den Akku entfernen.

Gewindeschneiden

Das Rohr entsprechend vorbereiten. Sicherstellen, dass es gerade geschnitten und entgratet ist. Ein schräges Ansetzen kann den Schneidkopf beschädigen und das Ansetzen erschweren. Das Rohr muss stabil und fixiert sein, um ein Umkippen während des Vorgangs zu verhindern. Geeigneten Ständer für die jeweilige Rohrlänge verwenden.

WARNUNG! Beim Betrieb des Werkzeugs weder Schmuck noch locker sitzende Kleidung tragen und auch keine Lappen verwenden. Handschuhe sind ebenfalls zu vermeiden, da sie sich leicht in beweglichen Teilen verfangen, was wiederum das Verletzungsrisiko erhöht. Sobald der Schneidkopf in das Rohr eingreift, beginnt der Gewindeschnitt, indem sich die Schneidbacken auf das Rohrende ziehen.

WARNUNG! Das Werkzeug stets festhalten, um den entstehenden Torsionskräften entgegenzuwirken. Stützvorrichtungen können in seltenen Fällen verrutschen und Bewegungen des Werkzeugs verursachen.

Mit einem Öl den Schnittbereich großzügig schmieren. Dies verringert das erforderliche Gewindedrehmoment, verbessert die Qualität des Werkstücks und erhöht die Lebensdauer der Schneidbacken.

WARNUNG! Vorsicht vor scharfen Metallspänen. Ölflecken beseitigen, um ein sicheres Arbeitsumfeld zu gewährleisten.

Für Linksgewinde, kehren Sie die Rechts/Linkslauf Beschreibung um.

Gewindeprüfung/Einsatz einer Ringlehre

1. Öl, Späne oder Schmutz vom Gewinde entfernen.
2. Gewinde prüfen. Es sollte glatt, vollständig und gut geformt sein. Bei Unregelmäßigkeiten, wie Risse, dünne Wendel oder Rohrunrundheit, schließt das Gewinde ggf. nicht dicht ab.
3. Um die Größe des Gewindes zu überprüfen, schrauben Sie eine Ringlehre auf das Rohr und ziehen Sie sie handfest an. Das Rohrende sollte bündig mit der Seite des Messgeräts abschließen (plus oder minus eine Umdrehung). Wenn das Gewinde nicht die richtigen Abmessungen aufweist, schneiden Sie es ab, stellen Sie den Schneidkopf nach und erstellen Sie ein neues Gewinde.
WARNUNG! Ein inakkurat geschnittenes Gewinde kann zu Undichtigkeiten führen.

WARTUNG

Vor allen Arbeiten am Gerät den Wechselakku herausnehmen.

Rohrgewindeschneider, austauschbaren Akku oder Ladegerät niemals öffnen.

Das Gerät auf Geräusche oder Blockierungen beweglicher Teile prüfen, die einen einwandfreien Betrieb beeinträchtigen könnten. Schneidwerkzeuge auf Risse und sonstige Verschleißerscheinungen prüfen.

Öffnungen von Staub und Ablagerungen befreien. Den Griff stets sauber und frei von Öl oder Schmiermittel halten. Zur Säuberung nur mildes Seifenwasser und ein feuchtes Tuch verwenden, da einige Reinigungs- und Lösungsmittel Kunststoff- und Isolierkomponenten beschädigen können. Zu diesen Mitteln zählen unter anderem Benzin, Terpentin, Lack- und Farbverdünner, chlorierte Reinigungs- und Lösungsmittel, Ammoniak sowie ammoniakhaltige Haushaltsreiniger. In der Nähe von Werkzeugen niemals entzündliche oder brennbare Lösungsmittel verwenden.

Prüfen, ob die Schneideinsätze scharf sind. Abgenutzte Komponenten immer im kompletten Satz auswechseln.

Tauschen Sie die Schneideinsätze aus, wenn diese brüchig werden oder Beschädigungen aufweisen.

Schneideinsätze immer im kompletten Satz auswechseln.

Um Verletzungen oder Schäden zu vermeiden, tauchen Sie ihr Werkzeug, Wechselakku oder Ladegerät nie in Flüssigkeit oder lassen eine Flüssigkeit in sie fließen.

Stets die Lüftungsschlitze der Maschine sauber halten.

Weitere Wartungs- und Reparaturarbeiten dürfen nur durch autorisierte Fachwerkstätten ausgeführt werden.

Nur Milwaukee Zubehör und Milwaukee Ersatzteile verwenden. Bauteile, deren Austausch nicht beschrieben wurde, bei einer Milwaukee Kundendienststelle auswechseln lassen (Broschüre Garantie/Kundendienstadressen beachten).

Bei Bedarf kann eine Explosionszeichnung des Gerätes unter Angabe der Maschinen Type und der sechsstelligen Nummer auf dem Leistungsschild bei Ihrer Kundendienststelle oder direkt bei Techtronic Industries GmbH, Max-Eyth-Straße 10, 71364 Winnenden, Germany angefordert werden.

ONE-KEY™

Um mehr über die ONE-KEY Funktionalität dieses Gerätes zu erfahren, lesen Sie die beiliegende Schnellstartanleitung oder besuchen Sie uns im Internet unter <http://www.milwaukeeetool.com/one-key>. Sie können die ONE-KEY App über den App Store oder Google Play auf Ihr Smartphone herunterladen.

Das Prüfergebnis erfüllt unsere Mindestanforderungen nach EN 301 489-1 / EN 301 489-17. Wir händigen dem Benutzer die Betriebsanweisungen in Form der Bedienungsanleitung aus.

AKKUS

Längere Zeit nicht benutzte Wechselakkus vor Gebrauch nachladen. Eine Temperatur über 50°C vermindert die Leistung des Wechselakkus. Längere Erwärmung durch Sonne oder Heizung vermeiden. Die Anschlusskontakte an Ladegerät und Wechselakku sauber halten.

Für eine optimale Lebensdauer müssen nach dem Gebrauch die Akkus voll geladen werden.

Für eine möglichst lange Lebensdauer sollten die Akkus nach dem Aufladen aus dem Ladegerät entfernt werden.

Bei Lagerung des Akkus länger als 30 Tage:

Akku bei ca. 27°C und trocken lagern.

Akku bei ca. 30%–50% des Ladezustandes lagern.

Akku alle 6 Monate erneut aufladen.

In den Wechselakku-Einschubschacht der Ladegeräte dürfen keine Metallteile gelangen (Kurzschlussgefahr).

AKKUÜBERLASTSCHUTZ

Bei Überlastung des Akkus durch sehr hohen Stromverbrauch, z.B. extrem hohe Drehmomente, Verklemmen des Bohrers, plötzlichem Stopp oder Kurzschluss, brummt das Elektrowerkzeug 2 Sekunden lang und schaltet sich selbsttätig ab.

TRANSPORT VON LITHIUM-IONEN-AKKUS

Lithium-Ionen-Akkus fallen unter die gesetzlichen Bestimmungen zum Gefahrguttransport.

Der Transport dieser Akkus muss unter Einhaltung der lokalen, nationalen und internationalen Vorschriften und Bestimmungen erfolgen.

Verbraucher dürfen diese Akkus ohne Weiteres auf der Straße transportieren.

Der kommerzielle Transport von Lithium-Ionen-Akkus durch Speditionsunternehmen unterliegt den Bestimmungen des Gefahrguttransports. Die Versandvorbereitungen und der Transport dürfen ausschließlich von entsprechend geschulten Personen durchgeführt werden. Der gesamte Prozess muss fachmännisch begleitet werden.

Folgende Punkte sind beim Transport von Akkus zu beachten: Stellen Sie sicher, dass die Kontakte geschützt und isoliert sind, um Kurzschlüsse zu vermeiden. Achten Sie darauf, dass der Akkupack innerhalb der Verpackung nicht verrutschen kann. Beschädigte oder auslaufende Akkus dürfen nicht transportiert werden. Wenden Sie sich für weitere Hinweise an Ihr Speditionsunternehmen.

CE-KONFORMITÄTSERKLÄRUNG

Wir erklären in alleiniger Verantwortung, dass das unter „Technische Daten“ beschriebene Produkt mit allen relevanten Vorschriften der Richtlinien

2011/65/EU (RoHS)
2006/42/EG
2014/53/EU
und den folgenden harmonisierten normativen Dokumenten übereinstimmt
EN 62841-1:2015
EN 62841-2-9:2015
EN 55014-1:2017+A11:2020
EN 55014-2:2015
EN 301 489-1 V2.2.3
EN 301 489-17 V3.1.1
EN 300 328 V2.2.2
EN 62479:2010
EN IEC 63000:2018



Winnenden, 2020-11-09

Alexander Krug / Managing Director
Bevollmächtigt die technischen Unterlagen zusammenzustellen.
Techtronic Industries GmbH
Max-Eyth-Straße 10, 71364 Winnenden, Germany



SYMBOLE



ACHTUNG! WARNUNG! GEFAHR!



Vor allen Arbeiten am Gerät den Wechselakku herausnehmen.



Hände von beweglichen Teilen fernhalten.



Bitte lesen Sie die Gebrauchsanweisung vor Inbetriebnahme sorgfältig durch.



Beim Arbeiten mit der Maschine stets Schutzbrille tragen.



Stets den Rohhalter verwenden.



Tragen Sie immer Lederhandschuhe.



Dieses Gerät enthält eine Lithium Knopf-/Münzzellenbatterie.

V

Spannung



Gleichstrom



Elektrogeräte, Batterien/Akkus dürfen nicht zusammen mit dem Hausmüll entsorgt werden. Elektrische Geräte und Akkus sind getrennt zu sammeln und zur umweltgerechten Entsorgung bei einem Verwertungsbetrieb abzugeben. Erkundigen Sie sich bei den örtlichen Behörden oder bei Ihrem Fachhändler nach Recyclinghöfen und Sammelstellen.



Europäisches Konformitätszeichen



Britisches Konformitätszeichen



Ukrainisches Konformitätszeichen



Euroasiatisches Konformitätszeichen

CARACTÉRISTIQUES TECHNIQUES Fileteuse de tuyaux	M18 FPT2
Numéro de série	4773 51 01 000001-999999
Bande (bandes) de fréquence Bluetooth	2402 - 2480 MHz
Puissance à haute fréquence	1,8 dBm
Version Bluetooth	4.0 BT signal mode
Technologie d'accumulateur	Li-Ion
Tension accu interchangeable	18 V
Vitesse de rotation nominale	
1. Engrenage	0 min ⁻¹ ... 29 min ⁻¹
2. Engrenage	0 min ⁻¹ ... 41 min ⁻¹
Capacité	
1. Engrenage	1 1/2" ... 2" 32 mm ... 50 mm
2. Engrenage	1/8" ... 1 1/4" 3 mm ... 30 mm
Filières	Ridgid 12-R
Poids suivant EPTA-Procedure 01/2014 (Li-Ion 2.0 Ah ... 12.0 Ah)	10,54 kg ... 11,60 kg
Température ambiante conseillée pour le fonctionnement	-18 °C ... +50 °C
Batteries conseillées	M18B... min. 6.0 Ah M18HB...
Chargeurs conseillés	M12-18..., M1418C6
Informations sur le bruit	
Valeurs de mesure obtenues conformément à la EN 62841. Les mesures réelles (des niveaux acoustiques de l'appareil sont :	
Niveau de pression acoustique (Incertitude K=3dB(A))	74,2 dB(A)
Niveau d'intensité acoustique (Incertitude K=3dB(A))	85,2 dB(A)
Toujours porter une protection acoustique!	
Informations sur les vibrations	
Valeurs totales des vibrations (somme vectorielle de trois sens) établies conformément à EN 62841.	
Valeur d'émission vibratoire a_{hmax}	1,6 m/s ²
Incertitude K=	1,5 m/s ²



AVERTISSEMENT!

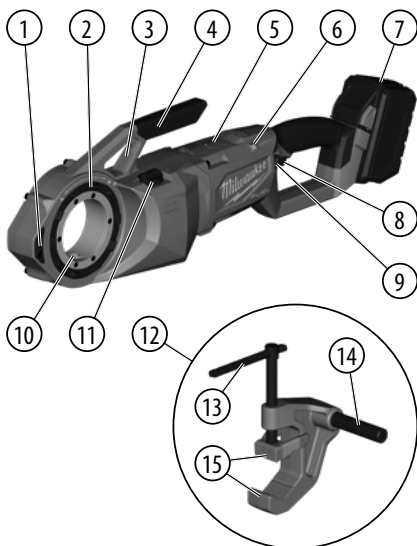
Le niveau de vibration et d'émissions sonores indiqué dans cette fiche de données a été mesuré en respect d'une méthode standard de test selon la norme EN 62841 et peut être utilisé pour comparer les outils entre eux. Il peut être utilisé pour évaluation préliminaire de l'exposition.

Le niveau de vibration et d'émissions sonores déclaré correspond à l'application principale de l'outil. Cependant, si l'outil est utilisé pour des applications différentes, avec différents accessoires ou est mal entretenu, les vibrations et les émissions sonores peuvent différer. Cela peut augmenter considérablement le niveau d'exposition au cours de la période de travail totale.

Une estimation du niveau d'exposition aux vibrations et au bruit devrait également tenir compte des temps d'arrêt de l'outil ou des périodes où il est en marche mais n'effectue pas réellement le travail. Cela peut réduire considérablement le niveau d'exposition au cours de la période de travail totale.

Identifier des mesures de sécurité supplémentaires pour protéger l'opérateur des effets des vibrations et/ou du bruit tels que : l'entretien de l'outil et des accessoires, le maintien au chaud des mains, l'organisation des processus de travail.

Portez une protection acoustique. L'exposition au bruit pourrait provoquer une diminution de l'ouïe.



Description du dispositif

- | | |
|---------------------------------------|----------------------------|
| ① Poignée latérale | ⑧ Déclencheur |
| ② Bague de verrouillage de la filière | ⑨ Interrupteur de commande |
| ③ Point d'ancrage du bras de support | ⑩ Transmission de couple |
| ④ Poignée de transport | ⑪ Sélecteur de vitesse |
| ⑤ Batterie interne | ⑫ Pince de support |
| ⑥ Voyant CLÉ | ⑬ Bras de serrage |
| ⑦ Pack accu | ⑭ Bras de support |
| | ⑮ Mâchoires |

⚠ AVERTISSEMENT

Lisez toutes les consignes de sécurité, instructions, présentations et données que vous recevez avec l'appareil. Le fait de ne pas suivre toutes les instructions données cidessous peut provoquer un choc électrique, un incendie et/ou une blessure grave.

Bien garder tous les avertissements et instructions.

⚠ CONSIGNES DE SÉCURITÉ DES FILETEUSES DE TUYAUX

- Toujours utiliser le dispositif de support fourni avec l'appareil. La perte de contrôle pendant le fonctionnement peut entraîner des blessures.
- Garder manches et vestes boutonnées pendant l'utilisation de l'outil. Ne pas passer la main à travers l'outil ou le tuyau. Les vêtements peuvent être happés par le tuyau ou l'outil, entraînant un enchevêtrement.
- Une seule personne doit contrôler le processus et le fonctionnement de l'outil. L'implication de personnes supplémentaires dans le processus peut entraîner des opérations non intentionnelles et des blessures corporelles.
- Garder les sols secs et exempts de matériaux glissants tels que l'huile. Les sols glissants sont source d'accidents.

Avis complémentaires de sécurité et de travail

- Quel que soit le support utilisé, lors du filetage ou du maintien de la filière hors du tuyau, tenir fermement l'appareil pour résister aux forces. Ceci permet de réduire le risque d'accident par heurt ou écrasement, ainsi que d'autres blessures.
- Ne pas utiliser de filières présentant des signes d'usure, émoussées ou endommagées. Des outils de coupe bien affûtés nécessitent un couple inférieur et l'appareil est plus facile à contrôler.
- Utiliser exclusivement :**
 - Rems Quick change 1/8" ... 2" (avec bagues d'adaptation)
 - Rothenberger Filières 1/4" ... 2" (avec bagues d'adaptation)
 - Ridgid 11-R 1/4" ... 2" (avec bagues d'adaptation)
 - Ridgid 12-R
- Ne pas stocker les filières dans l'outil pour éviter l'usure métal sur métal.**
- Agissez avec bon sens et soyez prudent lors de l'utilisation des outils.** Il n'est pas toujours possible de prévoir les situations qui pourraient devenir dangereuses. Si vous ne comprenez pas le présent mode d'emploi ou si vous avez l'impression que la tâche dépasse vos capacités, n'utilisez pas cet outil. Contactez Milwaukee Tool ou un spécialiste expérimenté pour des informations ou une formation complémentaires.
- N'enlever aucune étiquette et plaquette.** Les plaquettes contiennent des informations importantes. Dans le cas où ces plaquettes informatives ne soient plus lisibles ou soient absentes, veuillez vous adresser au service clients MILWAUKEE en vue d'obtenir un remplacement gratuit.

⚠ AVERTISSEMENT

Certaines poussières créées par le ponçage, le sciage, le meulage, le perçage et d'autres activités du bâtiment contiennent des substances chimiques connues pour provoquer des cancers, avoir des effets tératogènes ou néfastes sur la reproduction. En voici quelques exemples :

- le plomb contenu dans les peintures à base de plomb
- la silice cristalline issue des briques, ciments et autres produits de maçonnerie, et
- l'arsenic et le chrome des bois traités chimiquement.

Les risques liés à l'exposition à ces substances dépendent de la fréquence de réalisation de ce type de travaux. Afin de réduire votre exposition à ces substances chimiques, nous vous conseillons de travailler dans un endroit bien ventilé et d'utiliser des équipements de sécurité agréés comme les masques de protection contre les poussières spécialement conçus pour filtrer les particules microscopiques.

UTILISATION CONFORME AUX PRESCRIPTIONS

Cet outil est spécifié pour la coupe de filetages de tuyaux et de boulons, pour les filetages droite et gauche jusqu'à 2". Toute autre utilisation non conforme à l'usage prévu est interdite.

MONTAGE

⚠ AVERTISSEMENT

Utiliser uniquement des accessoires spécifiquement recommandés pour cet outil. Les autres peuvent s'avérer dangereux.

Insertion/démontage des filières

La filière peut être insérée de chaque côté de l'outil.

La filière/l'adaptateur doit être inséré(e) du bon côté de l'appareil.

1. Retirer le bloc-batterie.
2. Monter les filières/adaptateurs comme indiqué
3. Toujours vérifier que la filière est verrouillée dans l'outil avant de débiter une coupe.
4. Pour retirer, déverrouiller la bague de verrouillage de la filière et retirer la filière de l'outil.

FONCTIONNEMENT

Résistance aux forces de filetage

Toujours utiliser le support fourni avec l'appareil. Le bras de support se fixe au tuyau et aide à résister aux forces de filetage.

AVERTISSEMENT! La perte de contrôle pendant le fonctionnement peut entraîner des blessures.

Sélection de la vitesse

Le sélecteur de vitesse se trouve sur le dessus du boîtier. Laisser l'outil s'arrêter complètement avant de changer de vitesse.

Utilisation de l'interrupteur de commande

L'interrupteur de commande peut être réglé sur trois positions : dans le sens des aiguilles d'une montre, inverse des aiguilles d'une montre et verrouillé. Toujours laisser le moteur s'arrêter complètement avant d'utiliser l'interrupteur de commande.

Pour une rotation dans le sens des aiguilles d'une montre, pousser sur l'interrupteur de commande depuis le côté gauche de l'appareil.

Vérifier le sens de rotation avant utilisation. Cette rotation produit des filetages à droite lorsque la filière est insérée depuis le côté gauche (avant) de l'outil.

Pour une rotation dans le sens inverse des aiguilles d'une montre, appuyer sur l'interrupteur de commande depuis le côté droit de l'outil. **Vérifier le sens de rotation avant utilisation. Cette rotation produit des filetages à droite lorsque la filière est insérée depuis le côté droit (arrière) de l'outil.**

Toujours verrouiller l'interrupteur marche-arrêt ou retirer la batterie avant d'effectuer la maintenance, de changer les accessoires, de ranger l'outil et à chaque fois que l'outil n'est pas utilisé.

Filetage

Préparer correctement le tuyau. S'assurer que le tuyau est bien coupé et ébavuré. La coupe de tuyau en angle peut endommager les filières lors du filetage et entraîner des difficultés à engager la tête de filière. Le tuyau doit être stable et sécurisé pour éviter tout basculement pendant l'utilisation. Utiliser des supports de tuyaux appropriés pour la longueur des tuyaux.

AVERTISSEMENT! Ne pas porter de bijoux ni de vêtements amples et ne pas utiliser de chiffon pendant l'utilisation de l'outil. Ne pas porter de gants susceptibles de s'accrocher lorsque vous appuyez sur ou à proximité de pièces mobiles ; cela augmenterait le risque d'enchevêtrement et de blessure. Une fois la filière engagée dans le tuyau, le filetage est coupé lorsque la filière se hisse vers l'extrémité du tuyau.

AVERTISSEMENT! Toujours maintenir fermement l'outil pour résister à ses forces. Les supports pourraient, dans de rares cas, glisser et permettre à l'outil de se déplacer.

Utiliser un huileur pour appliquer une quantité généreuse d'huile de filetage sur la zone. Cela permet de réduire le couple de filetage nécessaire, d'améliorer la qualité du filetage et d'augmenter la durée de vie de la filière.

AVERTISSEMENT! Les coupes peuvent être acérées. Nettoyer toute huile déversée pour maintenir un environnement de travail sûr.

Pour les filetages à gauche, inverser les sélections dans le sens des aiguilles d'une montre/inverse des aiguilles d'une montre.

Inspection des filetages/Utilisation d'une bague d'étalonnage

1. Essuyer toute trace d'huile, tous copeaux ou débris sur le filetage.
2. Inspecter le filetage. Celui-ci doit être régulier, complet et en bon état. Si des irrégularités telles que des ruptures de filetage, des filetages trop minces ou des tuyaux ovales sont visibles, le filetage risque ne pas être étanche.
3. Pour vérifier la taille du filetage avec une bague d'étalonnage, visser la bague sur le tuyau et serrer à la main. L'extrémité du tuyau doit affleurer le côté de la bague (plus ou moins un tour). Si la mesure du filetage n'est pas correcte, le couper, ajuster la filière et couper un autre filetage. **AVERTISSEMENT!** L'utilisation d'un filetage de mesure incorrecte peut provoquer des fuites.

ENTRETIEN

Avant tous travaux sur l'appareil retirer l'accu interchangeable.

Ne jamais ouvrir la fileteuse de tuyaux, la batterie amovible ou le chargeur.

Vérifier la fileteuse de tuyaux pour tout problème tel que du bruit ou un blocage des pièces mobiles qui pourraient affecter l'outil.

Vérifier que les outils de coupe ne présentent pas de fissures ou d'autres signes d'usure.

Éliminez les saletés et les débris des ouvertures. Assurez-vous que la poignée soit propre, sèche et exempte d'huile et de graisses. Effectuez le nettoyage exclusivement avec du savon doux et un chiffon humide, certains agents nettoyants et solvants pouvant endommager les parties en plastique ou protégées. Parmi ces produits néfastes comptent notamment l'essence, la térébenthine, les diluants pour vernis ou peintures, les solvants nettoyants chlorés, l'ammoniac et les détergents ménagers contenant de l'ammoniac. N'utilisez jamais de solvants inflammables ou combustibles à proximité des outils.

Vérifier que les filières sont tranchantes et toujours remplacer les filières usées par jeu complet.

Remplacer les matrices lorsqu'elles commencent à être ébréchées ou endommagées.

Toujours remplacer les filières par jeu complet.

Pour éviter des blessures et des dommages, ne jamais immerger l'outil, la batterie amovible ou le chargeur dans un liquide ou permettre à du liquide d'y pénétrer.

Tenir toujours propres les orifices de ventilation de la machine.

D'autres interventions d'entretien et de réparation devront être effectuées exclusivement par des usines spécialisées et autorisées.



Utiliser uniquement les accessoires Milwaukee et les pièces détachées Milwaukee. Faire remplacer les composants dont le remplacement n'a pas été décrit, par un des centres de service après-vente Milwaukee (observer la brochure avec les adresses de garantie et de service après-vente).

Si besoin est, une vue éclatée de l'appareil peut être fournie. S'adresser, en indiquant bien le numéro porté sur la plaque signalétique, à votre station de service après-vente (voir liste jointe) ou directement à Techtronic Industries GmbH, Max-Eyth-Straße 10, 71364 Winnenden, Germany.

ONE-KEY™

Pour en savoir plus sur la fonctionnalité ONE-KEY de cet appareil, lisez les instructions rapides ci-jointes ou rendez-nous visite sur Internet sur <http://www.milwaukeeetool.com/one-key>

Vous pouvez télécharger l'appli ONE-KEY sur votre smartphone via l'App Store ou Google Play.

Le résultat d'essai répond à nos exigences min. suivant EN 301 489-1 / EN 301 489-17. De plus, nous donnerons le guide de fonctionnement au client dans le manuel de l'utilisateur.

ACCUS

Recharger les accus avant utilisation après une longue période de non utilisation.

Une température supérieure à 50°C amoindrit la capacité des accus. Eviter les expositions prolongées au soleil ou au chauffage.

Tenir propres les contacts des accus et des chargeurs.

Pour une durée de vie optimale, les accus doivent être chargés à fond après l'utilisation.

Pour une plus longue durée de vie, enlever les batteries du chargeur de batterie quand celles-ci seront chargées.

En cas d'entreposage de la batterie pour plus de 30 jours:

Entreposer la batterie à 27°C environ dans un endroit sec.

Entreposer la batterie avec une charge d'environ 30% - 50%.

Recharger la batterie tous les 6 mois.

Aucune pièce métallique ne doit pénétrer dans le logement d'accu du chargeur (risque de court-circuit)

PROTECTION DE L'ACCU CONTRE LES SURCHARGES

En cas de surcharge de l'accu suite à une consommation de courant très élevée, par exemple des couples extrêmement hauts, un coincement du foret, un arrêt soudain ou un court-circuit, l'outil électrique se met à bourdonner pendant 2 secondes et s'éteint automatiquement.

TRANSPORT DE BATTERIES LITHIUM-ION

Les batteries lithium-ion sont soumises aux dispositions législatives concernant le transport de produits dangereux.

Le transport de ces batteries devra s'effectuer dans le respect des dispositions et des normes locales, nationales et internationales.

Les utilisateurs peuvent transporter ces batteries sans restrictions.

Le transport commercial de batteries lithium-ion est réglé par les dispositions concernant le transport de produits dangereux. La préparation au transport et le transport devront être effectués uniquement par du personnel formé de façon adéquate. Tout le procédé devra être géré d'une manière professionnelle.

Durant le transport de batteries il faut respecter les consignes suivantes :

S'assurer que les contacts soient protégés et isolés en vue d'éviter des courts-circuits. S'assurer que le groupe de batteries ne puisse pas se déplacer à l'intérieur de son emballage. Des batteries endommagées ou des batteries perdant du liquide ne devront pas être transportées. Pour tout renseignement complémentaire veuillez vous adresser à votre transporteur professionnel.

DÉCLARATION CE DE CONFORMITÉ

Nous déclarons, sous notre responsabilité exclusive, que le produit décrit ici dans les « Caractéristiques techniques » satisfait à toutes les dispositions pertinentes des directives

2011/65/UE (RoHS)

2006/42/CE

2014/53/UE

et que les normes harmonisées suivantes ont été appliquées

EN 62841-1:2015

EN 62841-2-9:2015

EN 55014-1:2017+A11:2020

EN 55014-2:2015

EN 301 489-1 V2.2.3

EN 301 489-17 V3.1.1

EN 300 328 V2.2.2

EN 62479:2010

EN IEC 63000:2018



Winnenden, 2020-11-09

Alexander Krug / Managing Director

Autorisé à compiler la documentation technique.

Techtronic Industries GmbH

Max-Eyth-Straße 10, 71364 Winnenden, Germany



SYMBOLES



ATTENTION! AVERTISSEMENT! DANGER!



Avant tous travaux sur l'appareil retirer l'accu interchangeable.



Garder les mains éloignées des pièces mobiles.



Veillez lire avec soin le mode d'emploi avant la mise en service



Toujours porter des lunettes protectrices en travaillant avec la machine.



Toujours utiliser le bras de support.



Toujours porter des gants en cuir..



Cet appareil contient une pile bouton lithium / batterie au lithium.



Tension



Courant continu



Les dispositifs électriques, les batteries et les batteries rechargeables ne sont pas à éliminer dans les déchets ménagers. Les dispositifs électriques et les batteries sont à collecter séparément et à remettre à un centre de recyclage en vue de leur élimination dans le respect de l'environnement. S'adresser aux autorités locales ou au détaillant spécialisé en vue de connaître l'emplacement des centres de recyclage et des points de collecte.



Marque de conformité européenne



Marque de conformité britannique



Marque de conformité ukrainienne



Marque de conformité d'Eurasie



DATI TECNICI Filettratrice per tubi	M18 FPT2
Numero di serie	4773 51 01 000001-999999
Banda (bande) di frequenza Bluetooth	2402 - 2480 MHz
Potenza ad alta frequenza	1,8 dBm
Versione Bluetooth	4.0 BT signal mode
Tecnologia a batteria ricaricabile	Li-Ion
Tensione batteria	18 V
Numero giri nominale	
1. Ingranaggio	0 min ⁻¹ ... 29 min ⁻¹
2. Ingranaggio	0 min ⁻¹ ... 41 min ⁻¹
Capacità	
1. Ingranaggio	1 1/2" ... 2" 32 mm ... 50 mm
2. Ingranaggio	1/8" ... 1 1/4" 3 mm ... 30 mm
Bussole	Ridgid 12-R
Peso secondo la procedura EPTA 01/2014 (Li-Ion 2.0 Ah ... 12.0 Ah)	10,54 kg ... 11,60 kg
Temperatura ambiente consigliata per il funzionamento	-18 °C ... +50 °C
Batterie consigliate	M18B... min. 6.0 Ah M18HB...
Caricatori consigliati	M12-18..., M1418C6
Informazioni sulla rumorosità	
Valori misurati conformemente alla norma EN 62841. La misurazione A del livello di pressione acustica dell'utensile è di solito di:	
Livello di rumorosità (Incertezza della misura K=3dB(A))	74,2 dB(A)
Potenza della rumorosità (Incertezza della misura K=3dB(A))	85,2 dB(A)
Utilizzare le protezioni per l'udito!	
Informazioni sulle vibrazioni	
Valori totali delle oscillazioni (somma di vettori in tre direzionmisurati conformemente alla norma EN 62841	
Valore di emissione dell'oscillazione a _{hmax}	1,6 m/s ²
Incertezza della misura K=	1,5 m/s ²

AVVERTENZA!

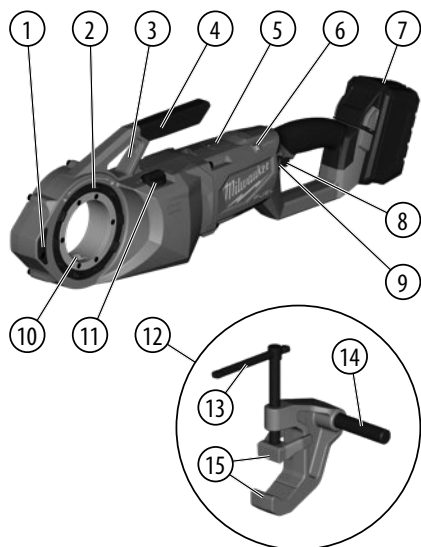
Il/i valore/i di emissione acustica riportato/i in questa scheda informativa sono stati misurati conformemente a un metodo di prova standard sulla base della norma EN 62841 e possono essere utilizzati per confrontare gli utensili tra loro. Può/possono essere utilizzato/i anche per una valutazione preliminare dell'esposizione.

Il livello di vibrazione ed emissione acustica dichiarato rappresenta le applicazioni principali dell'utensile. Tuttavia, se l'utensile è utilizzato per applicazioni diverse, con accessori differenti o una manutenzione non adeguata, la vibrazione e l'emissione acustica potrebbero variare. Ciò può aumentare significativamente il livello di esposizione durante l'intera durata del lavoro.

Una stima del livello di esposizione alle vibrazioni e al rumore dovrebbe tenere conto anche dei periodi in cui l'utensile è spento o è in funzione ma non sta lavorando. Ciò può ridurre significativamente il livello di esposizione durante l'intera durata del lavoro.

Identificare le misure di sicurezza supplementari per proteggere l'operatore dagli effetti delle vibrazioni e/o del rumore, ad esempio eseguendo la manutenzione dell'utensile e degli accessori, mantenendo le mani calde e organizzando gli schemi di lavoro.

Indossare protezioni acustiche adeguate. L'esposizione al rumore potrebbe comportare una riduzione dell'udito.



Descrizione del dispositivo

- | | |
|---|-----------------------------|
| ① Impugnatura laterale | ⑧ Levetta di scatto |
| ② Anello di bloccaggio della bussola | ⑨ Interruttore |
| ③ Punto di rinforzo del braccio di supporto | ⑩ Trasmissione della coppia |
| ④ Maniglia per il trasporto | ⑪ Selettore di velocità |
| ⑤ Batteria ricaricabile interna | ⑫ Morsetto di supporto |
| ⑥ Indicatore ONE KEY | ⑬ Braccio di serraggio |
| ⑦ Pacco batterie | ⑭ Braccio di supporto |
| | ⑮ Ganasce |

AVVERTENZA

Leggere tutte le avvertenze di sicurezza, le istruzioni, le illustrazioni e i dati forniti a corredo dell'apparecchio. In caso di mancata osservanza delle seguenti istruzioni vi è il pericolo di provocare una scossa elettrica, di sviluppare incendi e/o di provocare seri incidenti.

Conservare tutte le avvertenze di pericolo e le istruzioni operative per ogni esigenza futura.

ISTRUZIONI DI SICUREZZA PER FILETTATRICI PER TUBI

- Utilizzare sempre il dispositivo di supporto fornito in dotazione con lo strumento. La perdita di controllo durante l'uso può provocare lesioni.
- Durante l'uso dell'utensile, tenere maniche e giacche abbottonate. Non toccare l'utensile o il tubo. Gli indumenti possono rimanere inghiacciati nel tubo o nell'utensile con conseguente ingarbugliamento.
- Solo una persona deve controllare il processo di lavoro e il funzionamento dell'utensile. Ulteriori persone coinvolte nel processo possono causare operazioni indesiderate e lesioni personali.
- Tenere i pavimenti asciutti e privi di materiali scivolosi come l'olio. I pavimenti scivolosi provocano incidenti.

Ulteriori avvisi di sicurezza e di lavoro

- Quando si filetta o si poggia la bussola sul tubo, mantenere saldamente l'utensile per resistere alle forze indipendentemente dal dispositivo di supporto utilizzato. In questo modo, si riduce il rischio di urti, schiacciamenti e altre lesioni.
- Non usare bussole che mostrano segni di usura, che sono smussate o danneggiate. Gli utensili da taglio affilati richiedono una coppia minore e l'utensile è più facile da controllare.
- Utilizzare solo:**
 - Rems Quick change 1/8" ... 2" (con anelli adattatori)
 - Rothenberger Bussole 1/4" ... 2" (con anelli adattatori)
 - Ridgid 11-R 1/4" ... 2" (con anelli adattatori)
 - Ridgid 12-R
- Non conservare le bussole nell'utensile, per evitare l'usura del metallo a contatto con metallo.**
- Usare sempre il buon senso ed essere prudenti durante l'utilizzo degli utensili.** Non è possibile anticipare tutte le situazioni che potrebbero causare un risultato pericoloso. Non utilizzare l'utensile se le presenti istruzioni operative non sono state comprese o se si ha l'impressione che il lavoro da eseguire vada oltre le proprie capacità; contattare Milwaukee Tool o uno specialista qualificato per ottenere maggiori informazioni o istruzioni.
- Non rimuovere etichette e targhette.** Le targhette contengono informazioni importanti. Qualora queste targhette informative non fossero più leggibili o mancanti, si prega di contattare il servizio clienti di MILWAUKEE per ottenere una sostituzione gratuita.

AVVERTENZA

Alcune polveri prodotte durante la levigatura, il taglio, la macinatura, la perforazione e altre attività costruttive contengono sostanze chimiche che causano cancro, malformazioni congenite o altri danni agli apparati riproduttivi. Alcune di queste sostanze chimiche sono:

- piombo presente nelle vernici a base di piombo
- silice cristallina presente in mattoni, cemento e altri prodotti per edilizia, e
- arsenico e cromo presenti nel legname trattato chimicamente.

Il pericolo varia a seconda della frequenza con cui si realizza questo tipo di lavoro. Per ridurre l'esposizione a queste sostanze chimiche: lavorare in una zona ben ventilata, utilizzare dispositivi di sicurezza omologati, ad esempio maschere antipolvere specificamente progettate per filtrare le particelle microscopiche.

UTILIZZO CONFORME

Questo utensile è destinato al taglio di filettature di tubi e filettature di bulloni per filettature destre e sinistre fino a 2" di dimensione. Sono vietati altri usi non conformi allo scopo previsto.

MONTAGGIO

AVVERTENZA

Utilizzare specificamente accessori raccomandati per questo utensile. Altri accessori potrebbero essere pericolosi.

Installazione/rimozione delle bussole



La bussola può essere inserita da ciascun lato dell'utensile.
La bussola/l'adattatore deve essere inserita/o dal lato giusto dell'utensile.

1. Rimuovere il pacco batteria ricaricabile.
2. Assemblare le bussole/gli adattatori come illustrato
3. Prima di eseguire un taglio, verificare sempre che la bussola sia bloccata saldamente nell'utensile.
4. Per rimuovere, sbloccare l'anello di bloccaggio della bussola ed estrarre la bussola dall'utensile.

OPERAZIONE

Resistenza alle forze di flettatura

Utilizzare sempre il dispositivo di supporto fornito in dotazione con l'utensile. Il braccio di supporto si fissa al tubo e aiuta a resistere alle forze di flettatura.

AVVERTENZA! La perdita di controllo durante l'uso può provocare lesioni.

Selezione della velocità

Il selettore di velocità si trova sulla parte superiore dell'alloggiamento. Lasciare che l'utensile si fermi completamente prima di cambiare velocità.

Utilizzo dell'interruttore di controllo

L'interruttore di controllo può essere impostato su tre posizioni: in senso orario, antiorario e blocco. Prima di utilizzare l'interruttore di controllo, lasciare sempre che il motore si arresti completamente.

Per la rotazione in senso orario, spingere l'interruttore di controllo dal lato sinistro dell'utensile. **Controllare la direzione di rotazione prima dell'uso. Questa rotazione produrrà flettature destre quando si inserisce la bussola dal lato sinistro (anteriore) dell'utensile.**

Per la rotazione in senso antiorario, spingere l'interruttore di controllo dal lato destro dell'utensile. **Controllare la direzione di rotazione prima dell'uso. Questa rotazione produrrà flettature sinistre quando si inserisce la bussola dal lato destro (posteriore) dell'utensile.**

Bloccare sempre l'interruttore On/Off o rimuovere il pacco batteria ricaricabile prima di eseguire interventi di manutenzione, sostituire accessori, conservare l'utensile e ogni volta che l'utensile non è in uso.

Flettatura

Preparare correttamente il tubo. Assicurarsi che il tubo sia tagliato ortogonalmente e sbavato. Il tubo tagliato ad angolo può danneggiare la bussola durante la flettatura e causare difficoltà nell'aggancio della bussola. Il tubo deve essere stabile e fissato per evitare il ribaltamento durante l'uso. Utilizzare supporti per tubi adatti a sostenere la lunghezza del tubo.

AVVERTENZA! Non indossare gioielli, indumenti larghi e non usare stracci durante l'uso dell'utensile. Non indossare guanti che tendono a impigliarsi mentre si spingono su o vicino a parti in movimento; ciò aumenta il rischio di impigliamento e di lesioni. Una volta che le bussole si agganciano al tubo, le flettature saranno tagliate mentre le bussole si spingono autonomamente verso l'estremità del tubo.

AVVERTENZA! Mantenere sempre saldamente l'utensile per resistere alle forze dello stesso. I dispositivi di supporto potrebbero, in rari casi, scivolare e far spostare l'utensile.

Utilizzare un oliatore per applicare una generosa quantità di olio da taglio per flettatura sull'area in questione. Ciò ridurrà la coppia di flettatura necessaria, migliorerà la qualità della flettatura e aumenterà la durata di vita utile della bussola.

AVVERTENZA! I materiali di taglio possono essere affilati. Pulire eventuali fuoriuscite di olio per tenere sicuro l'ambiente di lavoro. Per le flettature sinistre, invertire le selezioni in senso orario/antiorario.

Controllo delle flettature/utilizzo di un calibro ad anello

1. Pulire l'olio, i trucioli o i detriti dalla flettatura.
2. Controllare la flettatura. Le flettature devono essere lisce, complete e in buona forma. Se si riscontrano irregolarità come strappi della flettatura, flettature sottili o tubi fuori rotondità, la flettatura potrebbe non sigillare in modo opportuno.
3. Per controllare le dimensioni della flettatura con un calibro ad anello, infilare il calibro sul tubo e serrare a mano. L'estremità del tubo deve essere a filo con il lato del calibro (più o meno un giro). Se la flettatura non ha la misura corretta, tagliarla, regolare la bussola e realizzare un'altra flettatura. **AVVERTENZA!** L'uso di flettature che non hanno una misura corretta può causare perdite.

MANUTENZIONE

Prima di iniziare togliere la batteria dalla apparecchiatura.

Non aprire mai la flettatrice per tubi, la batteria ricaricabile rimovibile o il caricabatteria.

Controllare che la flettatrice per tubi non presenti eventuali problemi, come rumore, inceppamento o parti in movimento che potrebbero avere effetti negativi sull'utensile.

Controllare che non vi siano incrinature o altri segni di usura sugli utensili da taglio.

Rimuovere polvere e residui dalle aperture. Tenere l'impugnatura pulita, asciutta e priva di oli o lubrificanti. Utilizzare soltanto sapone delicato e un panno umido per la pulizia, poiché alcuni detersivi e solventi sono dannosi per i componenti in plastica e le altre parti isolate. Alcuni di questi sono: benzina, trementina, diluente per vernici, diluente nitro, solventi clorurati, ammoniaci e detersivi per uso domestico contenenti ammoniaci. Non utilizzare mai solventi infiammabili o combustibili vicino agli utensili.

Controllare che le bussole siano affilate e sostituire sempre l'intero set di bussole usurate.

Sostituire le matrici se sono scheggiate o danneggiate.

Sostituire sempre le bussole come set completo.

Per evitare lesioni o danni, non immergere mai l'utensile, la batteria rimovibile o il caricabatteria in un liquido e non consentire mai a un liquido di penetrare nell'utensile, nella batteria rimovibile o nel caricabatteria.

Tener sempre ben pulite le fessure di ventilazione dell'apparecchio.

Ulteriori lavori di manutenzione e riparazione possono essere svolti esclusivamente da officine specializzate autorizzate.

Usare solo accessori Milwaukee e pezzi di ricambio Milwaukee. Gruppi costruttivi la cui sostituzione non è stata descritta, devono essere fatti cambiare da un punto di servizio di assistenza tecnica al cliente Milwaukee (vedi depliant garanzia/indirizzi assistenza tecnica ai clienti).

In caso di mancanza del disegno esploso, può essere richiesto al seguente indirizzo: Techtronic Industries GmbH, Max-Eyth-Straße 10, 71364 Winnenden, Germany.

ONE-KEY™

Per saperne di più sulla funzionalità ONE-KEY che permette di comandare questo dispositivo con un solo comando, consultare la guida rapida inclusa in questo prodotto o andare su <http://www.milwaukeeetool.com/one-key>

È possibile scaricare sullo smartphone l'app ONE-KEY dall'App Store o da Google Play.

Il risultato di collaudo corrisponde ai nostri requisiti minimi secondo EN 301 489-1 / EN 301 489-17. Forniremo al cliente una guida al funzionamento nel manuale d'uso.

BATTERIE

Batterie non utilizzate per molto tempo devono essere ricaricate prima dell'uso.

A temperature superiori ai 50°C, la potenza della batteria si riduce.

Evitare di esporre l'accumulatore a surriscaldamento prolungato, dovuto ad esempio ai raggi del sole o ad un impianto di riscaldamento.

Per una ottimale vita utile è necessario ricaricare completamente le batterie dopo l'uso.

Per una più lunga durata, rimuovere le batterie dal caricabatterie quando saranno cariche.

In caso di immagazzinaggio della batteria per più di 30 giorni:

Immagazzinare la batteria a circa 27°C in ambiente asciutto.

Immagazzinare la batteria con carica di circa il 30% - 50%.

Ricaricare la batteria ogni 6 mesi.

Non conservare le batterie con oggetti metallici (pericolo di cortocircuito).

DISPOSITIVO ANTISOVRACCARICO ACCUMULATORE

In caso di sovraccarico dell'accumulatore dovuto a consumo molto elevato di corrente, ad es. coppie di serraggio estremamente elevate, bloccaggio della punta, arresto improvviso o cortocircuito, l'elettrotensile romba per 2 secondi e poi si spegne automaticamente.

TRASPORTO DI BATTERIE AGLI IONI DI LITIO

Le batterie agli ioni di litio sono soggette alle disposizioni di legge sul trasporto di merce pericolosa.

Il trasporto di queste batterie deve avvenire rispettando le disposizioni e norme locali, nazionali ed internazionali.

Gli utilizzatori possono trasportare queste batterie su strada senza alcuna restrizione.

Il trasporto commerciale di batterie agli ioni di litio è regolato dalle disposizioni sul trasporto di merce pericolosa. Le preparazioni al trasporto ed il trasporto stesso devono essere svolti esclusivamente da persone idoneamente istruite. Tutto il processo deve essere gestito in maniera professionale.

Durante il trasporto di batterie occorre tenere conto di quanto segue:

Assicurarsi che i contatti siano protetti ed isolati per evitare corto circuiti. Accertarsi che il gruppo di batterie non possa spostarsi all'interno dell'imballaggio. Batterie danneggiate o batterie che perdono liquido non devono essere trasportate. Per ulteriori informazioni si prega di contattare il proprio trasportatore.

DICHIARAZIONE DI CONFORMITÀ CE

Assumendone la piena responsabilità, dichiariamo che il prodotto descritto nei "Dati tecnici" è conforme alle pertinenti disposizioni delle direttive

2011/65/UE (RoHS)

2006/42/CE

2014/53/UE

e che sono state applicate le seguenti norme armonizzate

EN 62841-1:2015

EN 62841-2-9:2015

EN 55014-1:2017+A11:2020

EN 55014-2:2015

EN 301 489-1V2.2.3

EN 301 489-17 V3.1.1

EN 300 328 V2.2.2

EN 62479:2010

EN IEC 63000:2018



Winnenden, 2020-11-09

Alexander Krug / Managing Director

Autorizzato alla preparazione della documentazione tecnica

Techtronic Industries GmbH

Max-Eyth-Straße 10, 71364 Winnenden, Germany



SIMBOLI



ATTENZIONE! AVVERTENZA! PERICOLO!



Prima di iniziare togliere la batteria dall'apparecchio.



Tenere le mani lontane dalle parti in movimento.



Leggere attentamente le istruzioni per l'uso prima di mettere in funzione l'elettrotensile.



Durante l'uso dell'apparecchio utilizzare sempre gli occhiali di protezione.



Usare sempre il braccio di supporto.



Indossare sempre guanti in pelle.



Questo dispositivo contiene una batteria a bottone al litio.

V

Voltaggio



Corrente continua



I dispositivi elettrici, le batterie e le batterie ricaricabili non devono essere smaltiti con i rifiuti domestici. I dispositivi elettrici e le batterie devono essere raccolti separatamente e devono essere conferiti ad un centro di riciclaggio per lo smaltimento rispettoso dell'ambiente. Chiedere alle autorità locali o al rivenditore specializzato dove si trovano i centri di riciclaggio e i punti di raccolta.



Marchio di conformità europeo



Marchio di conformità britannico



Marchio di conformità ucraino



Marchio di conformità euroasiatico

DATOS TÉCNICOS Roscadora de tuberías	M18 FPT2
Número de producción	4773 51 01 000001-999999
Banda(s) de frecuencia Bluetooth	2402 - 2480 MHz
Potencia de alta frecuencia	1,8 dBm
Versión Bluetooth	4.0 BT signal mode
Tecnología de batería recargable	Li-Ion
Voltaje de batería	18 V
Revoluciones nominales 1.ª marcha 2.ª marcha	0 min ⁻¹ ... 29 min ⁻¹ 0 min ⁻¹ ... 41 min ⁻¹
Capacidad 1.ª marcha 2.ª marcha	1 1/2" ... 2" 32 mm ... 50 mm 1/8" ... 1 1/4" 3 mm ... 30 mm
Troqueles de roscado	Ridgid 12-R
Peso de acuerdo con el procedimiento EPTA 01/2014 (Li-Ion 2.0 Ah ... 12.0 Ah)	10,54 kg ... 11,60 kg
Temperatura ambiente recomendada para la operación	-18 °C ... +50 °C
Juegos de baterías recomendados	M18B... min. 6.0 Ah M18HB...
Cargadores recomendados	M12-18..., M1418C6
Información sobre ruidos Determinación de los valores de medición según norma EN 62841. El nivel de ruido típico del aparato determinado con un filtro A corresponde a:	
Presión acústica (Tolerancia K=3dB(A))	74,2 dB(A)
Resonancia acústica (Tolerancia K=3dB(A))	85,2 dB(A)
Usar protectores auditivos!	
Informaciones sobre vibraciones Nivel total de vibraciones (suma vectorial de tres direcciones) determinado según EN 62841.	
Valor de vibraciones generadas a _{hmax}	1,6 m/s ²
Tolerancia K=	1,5 m/s ²



ADVERTENCIA!

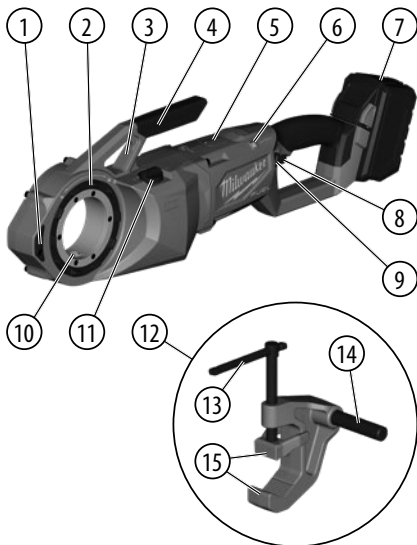
El nivel de emisión de ruido y vibración indicado en esta hoja informativa se ha medido de acuerdo con una prueba estandarizada que figura en EN 62841 y se puede usar para comparar una herramienta con otra. Puede ser empleado para una evaluación preliminar de la exposición.

El nivel declarado emisión de vibración y ruido representa las principales aplicaciones de la herramienta. Sin embargo, si la herramienta se utiliza para diferentes aplicaciones, con diferentes accesorios o con un mantenimiento deficiente, la emisión de ruido y vibración puede diferir. Esto puede aumentar significativamente el nivel de exposición durante el periodo total de trabajo.

También se debe tener en cuenta una estimación del nivel de exposición a la vibración y el ruido cuando la herramienta está apagada o cuando está funcionando, pero no está haciendo su trabajo. Esto puede reducir significativamente el nivel de exposición durante el periodo total de trabajo.

Identifique medidas de seguridad adicionales para proteger al operador de los efectos de la vibración o el ruido, como realizar mantenimiento de la herramienta y los accesorios, mantener las manos calientes y organizar las pautas de trabajo.

¡Utilice protección auditiva! La exposición a niveles de ruido excesivos puede causar la pérdida de audición.



Descripción del dispositivo

- | | | | |
|---|--|---|------------------------|
| ① | Agarre lateral | ⑧ | Disparador |
| ② | Anillo de bloqueo del troquel de roscado | ⑨ | Interruptor de control |
| ③ | Punto de fijación del brazo de soporte | ⑩ | Transmisión de par |
| ④ | Asidero de transporte | ⑪ | Selector de velocidad |
| ⑤ | Batería interna no recargable | ⑫ | Pinza de sujeción |
| ⑥ | Indicador ONE KEY | ⑬ | Brazo de apriete |
| ⑦ | Paquete de baterías | ⑭ | Brazo de sujeción |
| | | ⑮ | Mordazas |

⚠️ ADVERTENCIA

Lea las indicaciones de seguridad, instrucciones, descripciones y datos que se incluyen en el aparato. En caso de no atenerse a las instrucciones siguientes, ello puede provocar una electrocución, incendio y/o lesiones serias.

Guardar todas las advertencias de peligro e instrucciones para futuras consultas.

⚠️ INSTRUCCIONES DE SEGURIDAD PARA ROSCADORAS DE TUBERÍAS

- Utilice siempre el dispositivo de sujeción que se suministra con la herramienta. La pérdida de control durante el uso puede causar lesiones personales.
- Mantenga las mangas y las chaquetas abotonadas durante el uso de la herramienta. No intente acceder a la herramienta o a la tubería. Las prendas podrían quedar atrapadas por la tubería o la herramienta provocando que se enreden.
- Solo una persona debe controlar el proceso de trabajo y el funcionamiento de la herramienta. Terceras personas involucradas en el proceso podrían causar un funcionamiento involuntario y lesiones personales.
- Mantenga el suelo seco y libre de materiales deslizantes como aceite. Los suelos deslizantes pueden causar accidentes.

Instrucciones adicionales de seguridad y laborales

- Al roscar o retirar el troquel de roscado de la tubería, sujete la herramienta firmemente para resistir las fuerzas independientemente del dispositivo de sujeción utilizado. Esto reducirá el riesgo de contragolpe, aplastamiento y otras lesiones.
- No utilice troqueles que muestren signos de desgaste, que estén romos o dañados. Las herramientas de corte afiladas requieren menos torsión y la herramienta es más fácil de controlar.
- Use únicamente:**
 - Rems Quick change 1/8" ... 2" (con anillos adaptadores)
 - Rothenberger Troqueles de roscado 1/4" ... 2" (con anillos adaptadores)
 - Ridgid 11-R 1/4" ... 2" (con anillos adaptadores)
 - Ridgid 12-R
- No almacene los troqueles de roscado en la herramienta para evitar el desgaste causado por el contacto de metal con metal.**
- Use siempre el sentido común y tenga cuidado al utilizar herramientas.** No es posible anticipar cada situación que podría provocar un resultado peligroso. No utilice esta herramienta si no entiende estas instrucciones de funcionamiento o si cree que el trabajo va más allá de sus capacidades; comuníquese con Milwaukee Tool o con un profesional capacitado para obtener información adicional o capacitación.
- No retirar las etiquetas ni las placas de características.** Estas placas contienen informaciones importantes. Si faltan estas placas indicativas o dejan de ser legibles, póngase en contacto con el servicio de atención al cliente de MILWAUKEE para recibir un recambio de forma gratuita.

⚠️ ADVERTENCIA

Parte del polvo creado por el lijado eléctrico, el aserrado, el desbaste, el taladrado y otras actividades de construcción contienen sustancias químicas que se sabe que causan cáncer, defectos de nacimiento u otros daños reproductivos. Algunos ejemplos de estos químicos son:

- el plomo de la pintura a base de plomo
- el sílice cristalino de ladrillos y cemento y otros productos de albañilería, y
- el arsénico y el cromo de la madera tratada químicamente.

El riesgo de estas exposiciones varía según la frecuencia con la que realice este tipo de trabajo. Para reducir su exposición a estos productos químicos, trabaje en un área bien ventilada y trabaje con los equipos de seguridad aprobados, como máscaras contra el polvo especialmente diseñadas para filtrar partículas microscópicas.

APLICACIÓN DE ACUERDO A LA FINALIDAD

Esta herramienta ha sido diseñada para cortar roscas en tuberías y pernos para roscas hacia derecha e izquierda de un tamaño de hasta 2". Quedan prohibidos otros usos que difieran del uso previsto.

MONTAJE

⚠️ ADVERTENCIA

Utilice únicamente accesorios especialmente recomendados para esta herramienta. Otros accesorios podrían resultar peligrosos.

Instalar/retirar los troqueles de roscado

El troquel de roscado se puede insertar por ambos lados de la herramienta.

El troquel de roscado/adaptador se debe insertar por el lado correcto de la herramienta.

1. Retire la batería.
2. Monte los troqueles de roscado/adaptadores como se muestra.
3. Compruebe siempre que el troquel de roscado esté bloqueado en la herramienta antes de comenzar a cortar.
4. Para retirarlo, desbloquee el anillo de bloqueo del troquel y tire del troquel de roscado desde la herramienta.

OPERACIÓN

Resistir las fuerzas de roscado

Utilice siempre el dispositivo de sujeción que se suministra con la herramienta. El brazo de sujeción se fija a la tubería y ayuda a resistir las fuerzas de roscado.

ADVERTENCIA! La pérdida de control durante el uso puede causar lesiones personales.

Seleccionar la velocidad

El selector de velocidad se encuentra en la parte superior de la carcasa. Permita que la herramienta se detenga por completo antes de cambiar de velocidad.

Usar el interruptor de control

El interruptor de control puede conmutarse en tres posiciones: sentido horario, sentido antihorario y bloqueo. Permita siempre que el motor se detenga completamente antes de usar el interruptor de control.

Para la rotación en sentido horario, presione el interruptor de control desde el lado izquierdo de la herramienta. **Compruebe la dirección de rotación antes del uso. Esta rotación producirá roscas hacia la derecha cuando se inserte el troquel desde el lado izquierdo (parte delantera) de la herramienta.**

Para la rotación en sentido antihorario, presione el interruptor de control desde el lado derecho de la herramienta. **Compruebe la dirección de rotación antes del uso. Esta rotación producirá roscas hacia la derecha cuando se inserte el troquel desde el lado derecho (parte trasera) de la herramienta.**

Bloquee siempre el gatillo o retire la batería antes de llevar a cabo el mantenimiento, cambiar accesorios, almacenar la herramienta y siempre que la herramienta no esté en uso.

Roscar

Asegúrese de que la tubería esté bien cortada y desbarbada. Las tuberías cortadas en inglete puede dañar los troqueles al roscar y pueden dificultar que el troquel de roscado se enganche. La tubería debe ser estable y estar asegurada para evitar que se vuelque durante el uso. Utilice soportes de tubería apropiados para apoyar la longitud de la tubería.

ADVERTENCIA! No use joyas, ropa suelta o trapos al usar la herramienta. No use guantes que tiendan a engancharse al hacer presión sobre o cerca de piezas móviles; esto aumenta el riesgo de enredos y lesiones. Una vez que los troqueles se enganchan en la tubería, estos cortarán la rosca a medida que se desplazan hacia el extremo opuesto de la tubería.

ADVERTENCIA! Sujete siempre la herramienta firmemente para resistir las fuerzas de la misma. En raros casos, los dispositivos de sujeción pueden soltarse y permitir que la herramienta se mueva.

Utilice un dispensador de aceite para aplicar una cantidad abundante de aceite de roscado en el área. Esto reducirá la torsión necesaria para roscar, mejorará la calidad de la rosca y aumentará la vida útil del troquel.

ADVERTENCIA! Los cortes deben ser afilados. Limpie los derrames de aceite para mantener un entorno de trabajo seguro.

Para las roscas hacia la izquierda, invierta las selecciones en sentido horario/antihorario.

Inspeccionar las roscas / Usar un calibre anular

1. Retire el aceite, la rebardas o los restos de la rosca.
2. Inspeccione la rosca. Las roscas deben de ser lisas, estar completas y tener la forma correcta. Si se identifican irregularidades como grietas en la rosca, roscas finas o saltos radiales, la rosca no será estanca.
3. Para comprobar el tamaño de la rosca con un calibre anular, enrosque el calibre en la tubería y apriételo manualmente. El extremo de la tubería debería estar al ras con el lado del calibre (más o menos un giro). Si la rosca no calibra de forma apropiada, retire la rosca cortándola, ajusté el troquel de roscado y corte otra rosca. **ADVERTENCIA!** Utilizar una rosca que no calibra de forma apropiada puede causar fugas.

MANTENIMIENTO

Retire la batería antes de comenzar cualquier trabajo el aparato.

No abra nunca la roscadora de tuberías, la batería extraíble o el cargador.

Compruebe la roscadora de tuberías en busca de problemas como ruidos o atascos de piezas móviles que puedan afectar a la herramienta.

Compruebe las herramientas de corte en busca de grietas u otros signos de desgaste.

Limpie el polvo y los residuos de las aberturas. Mantenga el mango limpio, seco y libre de aceite o grasa. Use solo jabón suave y un paño húmedo para limpiar, ya que ciertos productos de limpieza y disolventes son perjudiciales para los plásticos y otras partes aisladas. Algunos de estos incluyen gasolina, aguarrás, diluyente de lacas, diluyente de pintura, solvente de limpieza clorado, amoníaco y detergentes domésticos que contienen amoníaco. Nunca use solventes inflamables o combustibles alrededor de las herramientas.

Asegúrese de que los troqueles estén afilados y sustituya siempre los que estén romos como un juego completo.

Reemplace los troqueles cuando se astillen o dañen.

Sustituya siempre los troqueles como un juego completo.

Para evitar lesiones y daños, nunca sumerja la herramienta, la batería extraíble o el cargador en líquidos ni permita que penetre líquido en su interior.

Las ranuras de ventilación de la máquina deben estar despejadas en todo momento.

Cualquier otra tarea de mantenimiento o reparación solo puede ser llevada a cabo por un taller técnico autorizado.



Utilice solamente accesorios y repuestos Milwaukee. En caso de necesitar reemplazar componentes no descritos, contacte con cualquiera de nuestras estaciones de servicio Milwaukee (consultar lista de servicio técnicos)

En caso necesario, puede solicitar un despiece de la herramienta. Por favor indique el número de impreso que hay en la etiqueta y pida el despiece a la siguiente dirección: Techtronic Industries GmbH, Max-Eyth-Straße 10, 71364 Winnenden, Germany.

ONE-KEY™

Para obtener más información sobre la funcionalidad ONE-KEY de este dispositivo, por favor, consulte la Guía Rápida incluida junto con este producto o diríjase a <http://www.milwaukeeetool.com/one-key>

Puede descargar en su teléfono móvil la aplicación ONE-KEY en la App Store o en Google Play.

El resultado de la prueba cumple con los requisitos mínimos conforme a EN 301 489-1 / EN 301 489-17. Y ofreceremos al cliente las indicaciones de uso en nuestro manual de usuario.

BATERIA

Las baterías no utilizadas durante cierto tiempo deben ser recargadas antes de usar.

Las temperaturas superiores a 50°C reducen el rendimiento de la batería. Evite una exposición excesiva a fuentes de calor o al sol (riesgo de sobrecalentamiento).

Los puntos de contacto de los cargadores y las baterías se deben mantener limpios.

Para un tiempo óptimo de vida, deberán cargarse las baterías completamente después de su uso.

Para garantizar la máxima capacidad y vida útil, las baterías recargables se deberían retirar del cargador una vez finalizada la carga.

En caso de almacenar la batería recargable más de 30 días:

Almacenar la batería recargable en un lugar seco a una temperatura de aproximadamente 27°C.

Almacenar la batería recargable con un estado de carga del 30% y 50% aproximadamente.

Recargar la batería cada 6 meses.

No introduzca en la cavidad del cargador objetos metálicos (riesgo de cortocircuito).

PROTECCIÓN CONTRA SOBRECARGA DE LA BATERÍA

En caso de sobrecarga del acumulador por consumo muy elevado de corriente, por ej. debido a pares muy elevados, agarrotamiento del taladro, parada repentina o cortocircuito, la herramienta eléctrica zumbará durante 2 segundos y se desconectará automáticamente.

TRANSPORTE DE BATERÍAS DE IONES DE LITIO

Las baterías de iones de litio caen bajo las disposiciones legales relativas al transporte de mercancías peligrosas.

El transporte de estas baterías recargables debe llevarse a cabo, observando las normas y disposiciones locales, nacionales e internacionales.

Los consumidores pueden transportar estas baterías recargables sin el menor reparo en la calle.

El transporte comercial de baterías recargables de iones de litio por empresas de transportes está sometido a las disposiciones del transporte de mercancías peligrosas. Las preparaciones para el envío y el transporte deben ser llevados a cabo exclusivamente por personas instruidas adecuadamente. El proceso completo debe ser supervisado por personal competente.

Los siguientes puntos se deben observar para el transporte de las baterías recargables:

Se debe asegurar que los contactos estén protegidos y aislados para evitar que se produzcan cortocircuitos. Preste atención a que el conjunto de baterías recargables no se pueda desplazar dentro del envase. Las baterías recargables deterioradas o derramadas no se deben transportar. Rogamos que para cualquier información adicional se dirija a su empresa de transportes.

DECLARACION DE CONFORMIDAD CE

Declaramos bajo nuestra única responsabilidad que el producto descrito bajo „Datos técnicos“ cumple todas las disposiciones pertinentes de las directivas

2011/65/UE (RoHS)
2006/42/CE
2014/53/ UE

y que se han implementado y estándares

EN 62841-1:2015
EN 62841-2-9:2015
EN 55014-1:2017+A11:2020
EN 55014-2:2015
EN 301 489-1 V2.2.3
EN 301 489-17 V3.1.1
EN 300 328 V2.2.2
EN 62479:2010
EN IEC 63000:2018



Winnenden, 2020-11-09

Alexander Krug / Managing Director

Autorizado para la redacción de los documentos técnicos.

Techtronic Industries GmbH

Max-Eyth-Straße 10, 71364 Winnenden, Germany

SÍMBOLOS



¡ATENCIÓN! ¡ADVERTENCIA! ¡PELIGRO!



Retire la batería antes de comenzar cualquier trabajo el aparato.



Mantenga las manos alejadas de las piezas móviles.



Lea las instrucciones detenidamente antes de conectar la herramienta



Para trabajar con la máquina, utilizar siempre gafas de protección.



Utilice siempre el brazo de sujeción.



Utilice siempre guantes de cuero.



Este dispositivo contiene una batería de litio de botón.



Tensión



Corriente continua



Los electrodomésticos y las baterías/acumuladores no se deben eliminar junto con la basura doméstica. Los aparatos eléctricos y los acumuladores se deben recoger por separado y se deben entregar a una empresa de reciclaje para una eliminación respetuosa con el medio ambiente. Infórmese en las autoridades locales o en su tienda especializada sobre los centros de reciclaje y puntos de recogida.



Marcado de conformidad europeo



Marcado de conformidad británico



Marcado de conformidad ucraniano



Marcado de conformidad euroasiático





CARACTERÍSTICAS TÉCNICAS Tarraxa	M18 FPT2
Número de produção	4773 51 01 000001-999999
Banda de frequência Bluetooth (bandas de frequência)	2402 - 2480 MHz
Potência de alta frequência	1,8 dBm
Versão Bluetooth	4.0 BT signal mode
Tecnologia da bateria	Li-Ion
Tensão do acumulador	18 V
Número de rotações nominal	
1. Transmissão	0 min ⁻¹ ... 29 min ⁻¹
2. Transmissão	0 min ⁻¹ ... 41 min ⁻¹
Capacidade	
1. Transmissão	1 1/2" ... 2" 32 mm ... 50 mm
2. Transmissão	1/8" ... 1 1/4" 3 mm ... 30 mm
Cabeças da tarraxa	Ridgid 12-R
Peso nos termos do procedimento-EPTA 01/2014 (Li-Ion 2.0 Ah ... 12.0 Ah)	10,54 kg ... 11,60 kg
Temperatura ambiente recomendada para a operação	-18 °C ... +50 °C
Conjuntos de baterias recomendados	M18B... min. 6.0 Ah M18HB...
Carregadores recomendados	M12-18..., M1418C6
Informações sobre ruído Valores de medida de acordo com EN 62841. O nível de ruído avaliado A do aparelho é tipicamente:	
Nível da pressão de ruído (Incertez K=3dB(A))	74,2 dB(A)
Nível da potência de ruído (Incertez K=3dB(A))	85,2 dB(A)
Use protectores auriculares!	
Informações sobre vibração Valores totais de vibração (soma dos vectores das três direcções) determinadas conforme EN 62841.	
Valor de emissão de vibração a _{hmax}	1,6 m/s ²
Incerteza K=	1,5 m/s ²

ATENÇÃO!

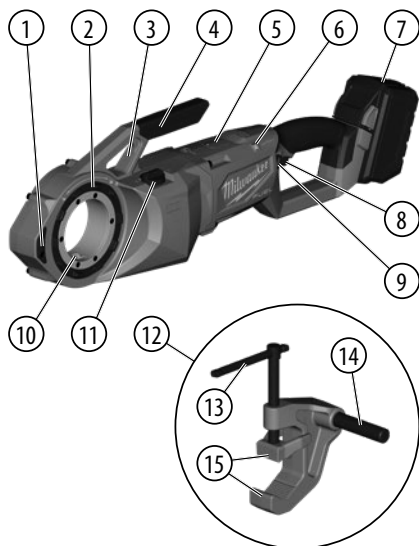
O nível de emissão de ruído e vibração fornecido nesta ficha de informações foi medido de acordo com um teste padronizado que se encontra na norma EN 62841, podendo ser utilizado para fazer comparações entre ferramentas. Pode ser utilizado para fazer uma avaliação preliminar da exposição.

O nível de emissão de ruído e vibração declarado representa as principais aplicações da ferramenta. No entanto, se a ferramenta for utilizada para aplicações diferentes ou com acessórios distintos, ou se a sua manutenção for deficiente, a emissão de ruídos e vibrações poderá diferir. Isso poderá aumentar significativamente o nível de exposição ao longo do período de trabalho total.

A estimativa do nível de exposição à vibração e ruído também deve ter em conta os tempos em que a ferramenta, quer desligada quer em funcionamento, não está realmente a trabalhar. Isso poderá reduzir significativamente o nível de exposição ao longo do período de trabalho total.

Identifique medidas de segurança adicionais para proteger o operador contra os efeitos da vibração e/ou ruído, tais como: fazer a manutenção da ferramenta e dos acessórios, manter as mãos quentes, organizar padrões de trabalho.

Sempre use a protecção dos ouvidos. Os ruídos podem causar surdez.



Descrição do dispositivo

- | | |
|---|---------------------------|
| ① Pega lateral | ⑧ Gatilho |
| ② Anel de bloqueio da cabeça da tarraxa | ⑨ Interruptor de controlo |
| ③ Ponto de fixação no braço de suporte | ⑩ Transmissão de torque |
| ④ Pega de transporte | ⑪ Seletor de velocidade |
| ⑤ Bateria interna | ⑫ Grampo de apoio |
| ⑥ Indicador de UMA CHAVE | ⑬ Braço de aperto |
| ⑦ Bateria | ⑭ Braço de suporte |
| | ⑮ Boca |

⚠️ ATENÇÃO

Ler todas as indicações de segurança, instruções, representações e dados fornecidos juntamente com o aparelho. O desrespeito das seguintes instruções pode levar a um choque eléctrico, incêndio e/ou graves lesões.

Guarde bem todas as advertências e instruções para futura referência.

⚠️ INSTRUÇÕES DE SEGURANÇA PARA A UTILIZAÇÃO DE TARRAXAS

- Utilize sempre o dispositivo de suporte fornecido com a ferramenta. A perda de controlo durante o funcionamento poderá resultar em lesões pessoais.
- Mantenha os botões das mangas e dos casacos abotoados durante o funcionamento da ferramenta. Não se atravesse no caminho da ferramenta ou do tubo. A sua roupa poderá ser apanhada pelo tubo ou pela ferramenta e ficar emaranhada.
- O processo de trabalho e o funcionamento da ferramenta terão de ser controlados apenas por uma pessoa. O envolvimento de outras pessoas no processo poderá resultar na ativação accidental da ferramenta e, conseqüentemente, provocar lesões pessoais.

d) Mantenha o chão seco e isento de materiais escorregadios, como o óleo. Os pisos escorregadios são um „convite“ à ocorrência de acidentes.

Instruções de segurança e trabalho suplementares

- Ao rosar o material ou encaixar a cabeça da tarraxa, segure na ferramenta com firmeza, para resistir às forças exercidas pela mesma, independentemente do dispositivo de suporte utilizado. Isso reduzirá o risco de ocorrência de golpes, de esmagamentos e de outros tipos de lesões.
- Não utilize cabeças de tarraxa que apresentem sinais de estarem desgastadas, rombas ou danificadas. As ferramentas de corte afiadas exigem menos esforço de rotação e são mais fáceis de controlar.
- Utilizar apenas:**
 - Rems Quick change 1/8" ... 2" (com anéis adaptadores)
 - Rothenberger Cabeças da tarraxa 1/4" ... 2" (com anéis adaptadores)
 - Ridgid 11-R 1/4" ... 2" (com anéis adaptadores)
 - Ridgid 12-R
- Não guarde as cabeças da tarraxa encaixadas na ferramenta, para evitar o desgaste provocado pelo atrito entre os metais.**
- Ao utilizar ferramentas, faça-o sempre com bom senso e cautela.** Não é possível prever todas as situações potencialmente conducentes a um resultado perigoso. Se não entender estas instruções ou achar que o trabalho excede a sua capacidade, não utilize esta ferramenta. Contacte a Milwaukee Tool ou um profissional credenciado, a fim de obter informações adicionais ou formação.
- Não remova as etiquetas e as placas de identificação.** Elas contém informações importantes. Se estas placas estiverem ilegíveis ou faltarem, contate a assistência técnica da MILWAUKEE para que sejam substituídas.



⚠️ ATENÇÃO

Algumas poeiras originadas pelo lixamento, serragem, rebarbagem, furação e outra atividades de construção contém substâncias químicas causadoras de cancro, deformações congénitas ou outros danos reprodutivos. Alguns exemplos destes produtos químicos são:

- chumbo proveniente de tintas à base de chumbo
- silica cristalina proveniente de tijolos, cimento e outros produtos de alvenaria, e
- arsénico e cromo provenientes de madeiras tratadas quimicamente.

O seu risco associado a estas exposições é variável, dependendo da quantidade de vezes que realiza este tipo de trabalho. Para reduzir a sua exposição a estes produtos químicos, trabalhe numa área bem ventilada e com equipamento de segurança aprovado, como máscaras de poeira especialmente concebidas para filtrar partículas microscópicas.

UTILIZAÇÃO AUTORIZADA

Esta ferramenta foi concebida especificamente para criar roscas para a direita e para a esquerda, com tamanhos de até 2", em tubos e parafusos. Quaisquer outras utilizações além das previstas são proibidas.

**ATENÇÃO**

Utilize apenas acessórios especificamente recomendados para esta ferramenta. A utilização de outros acessórios poderá ser perigosa.

Instalação/remoção das cabeças da tarraxa

A cabeça da tarraxa pode ser inserida a partir de qualquer dos lados da ferramenta.

A introdução da cabeça/adaptador da tarraxa deve ser feita a partir do lado correto da ferramenta.

1. Remova a bateria.
2. Monte as cabeças ou os adaptadores da tarraxa de acordo com a ilustração
3. Antes de iniciar qualquer corte, verifique sempre se a cabeça da tarraxa está bem presa à ferramenta.
4. Para remover, desbloqueeie o anel de bloqueio da cabeça da tarraxa e puxe a cabeça da tarraxa, a fim de a separar da ferramenta.

**Por****FUNCIONAMENTO****Resistir às forças produzidas pelo rosqueamento**

Utilize sempre o dispositivo de suporte fornecido com a ferramenta. O braço de apoio prende o tubo e ajuda o utilizador a resistir às forças produzidas pelo rosqueamento.

ATENÇÃO! A perda de controlo durante o funcionamento pode resultar em lesões pessoais.

Selecionar a velocidade

O seletor de velocidade encontra-se na parte de cima do revestimento exterior da ferramenta. Antes de mudar as velocidades, aguarde que a ferramenta se imobilize totalmente.

Utilização do interruptor de controlo

O interruptor de controlo pode ser colocado em três posições: no sentido dos ponteiros do relógio, no sentido contrário ao dos ponteiros do relógio e em posição de bloqueio. Antes de utilizar o interruptor de controlo, aguarde sempre pela imobilização total do motor.

Para que a cabeça da tarraxa gire no sentido dos ponteiros do relógio, carregue no interruptor de controlo a partir do lado esquerdo da ferramenta. **Antes de utilizar a ferramenta, verifique o sentido da rotação. A rotação produzirá rosca para a direita, sempre que a cabeça da tarraxa for introduzida a partir do lado esquerdo (frontal) da ferramenta.**

Para que a cabeça da tarraxa gire no sentido contrário ao dos ponteiros do relógio, carregue no interruptor de controlo a partir do lado direito da ferramenta. **Antes de utilizar a ferramenta, verifique o sentido da rotação. A rotação produzirá rosca para a esquerda, sempre que a cabeça da tarraxa for introduzida a partir do lado direito (traseiro) da ferramenta.**

Antes de trocar de acessórios, de fazer a manutenção da ferramenta ou de a armazenar, e sempre que não estiver a utilizá-la, bloqueie o gatilho ou retire a bateria.

Rosquear

Prepare o tubo adequadamente. Certifique-se de que o tubo está bem cortado e rebarbado. O corte do tubo em ângulo pode danificar as cabeças da tarraxa durante a produção da rosca e dificultar o contacto da cabeça da tarraxa com o material. Durante a utilização, o tubo terá de estar estável e fixo, a fim de evitar que se incline. Utilize suportes de tubos adequados para suportar o tubo em toda a sua extensão.

ATENÇÃO! Não use joias, roupas soltas ou panos enquanto a ferramenta estiver a funcionar. Não use luvas propensas a ficarem presas enquanto estiver a pressionar peças móveis ou nas proximidades das mesmas, uma vez que isso aumenta o risco de emaranhamento e de ocorrência de lesões. Assim que as cabeças da tarraxa tocarem na peça, começarão a cortar a rosca, à medida que forem avançando para a extremidade do tubo.

ATENÇÃO! Segure sempre na ferramenta com firmeza, a fim de resistir às forças produzidas pela mesma. Em casos raros, os dispositivos de suporte poderão deslizar e permitir que a ferramenta se mova.

Utilize uma almotolia para aplicar uma quantidade abundante de óleo de corte de rosca na área a cortar. Isso reduzirá a força de aperto necessária, melhorará a qualidade da rosca e aumentará a vida-útil da cabeça da tarraxa.

ATENÇÃO! Os cortes podem ser afiados. Limpe todos os derrames de óleo, para manter a segurança do ambiente de trabalho.

Para produzir rosca à esquerda, inverta as seleções no sentido dos ponteiros do relógio/contrário ao dos ponteiros do relógio.

Inspecionar as rosca / utilizar um anel de calibração

1. Limpe qualquer resquício de óleo, de pedaços de material ou de outros detritos que tenham ficado na rosca.
2. Inspecione a rosca. As rosca devem ser suaves, completas e bem formadas. Se forem observadas irregularidades, tais como rosca desgastadas, rosca demasiado finas ou rosca desalinhas do arredondado do tubo, as rosca produzidas poderão não vedar.
3. Para verificar o tamanho da rosca com um anel de calibração, atarraxe o anel no tubo e aperte-o manualmente. A extremidade do tubo deverá ficar nivelada com a parte lateral do anel de calibração (mais ou menos uma volta). Se o anel de calibração não puder ser corretamente enroscado na rosca, corte a rosca, ajuste a cabeça da tarraxa e faça outra rosca. **ATENÇÃO!** A utilização de uma rosca que não permita enroscar corretamente o anel de calibração poderá provocar fugas.

MANUTENÇÃO

Antes de efectuar qualquer intervenção o aparelho retirar o bloco acumulador.

Nunca abra a tarraxa, a bateria amovível ou o carregador.

Verifique se a tarraxa apresenta algum sinal de problemas, como por exemplo, ruídos ou partes móveis encravadas, que possam estar a afetar o seu funcionamento.

Verifique se as ferramentas de corte apresentam fendas e outros sinais de desgaste.

Limpe as poeiras e detritos das aberturas. Mantenha a pega limpa, seca e livre de óleo ou gorduras. Para limpar, utilize apenas um pano húmido e sabão neutro, uma vez que certos produtos de limpeza e solventes são prejudiciais para os plásticos e outras peças isoladas. Entre esses produtos inclui-se a gasolina, terebentina, diluente para verniz, diluente para tintas, solventes de limpeza à base de cloro, amoníaco e detergentes domésticos que contenham amoníaco. Nunca use solventes inflamáveis ou combustíveis nas proximidades das ferramentas.

Verifique se as cabeças da tarraxa estão afiadas e, ao substituir as que estiverem gastas, troque sempre o conjunto completo.

Quando os cunhos estiverem lascados ou danificados, substitua-os. Ao substituir as cabeças da tarraxa, troque sempre o conjunto completo.

Para evitar lesões e danos, nunca mergulhe a ferramenta, a bateria amovível ou o carregador em líquidos nem permita que entrem líquidos no seu interior.

Mantenha desobstruídos os rasgos de ventilação na carcaça da máquina.

Posteriore trabalhos de manutenção e reparação só podem ser efetuados por oficinas de especialistas autorizados.

Utilizar apenas acessórios Milwaukee e peças sobresselentes Milwaukee. Os componentes cuja substituição não esteja descrita devem ser substituídos num serviço de assistência técnica Milwaukee (consultar a brochura relativa à garantia/moradas dos serviços de assistência técnica).

A pedido e mediante indicação da referência que consta da chapa de características da máquina, pode requerer-se um desenho explosivo da ferramenta eléctrica a: Techtronic Industries GmbH, Max-Eyth-Straße 10, 71364 Winnenden, Germany.

ONE-KEY™

Para saber mais sobre a funcionalidade ONE-KEY deste dispositivo, consulte o guia de iniciação rápida fornecido com este produto ou vá a <http://www.milwaukeetool.com/one-key>

Pode-se descarregar a app ONE-KEY para o smartphone através da App Store ou do Google Play.

O resultado do teste satisfaz as nossas exigências mínimas nos termos das normas EN 301 489-1 / EN 301 489-17. Forneceremos ao cliente a orientação de operação contida no manual do utilizador.

ACUMULADOR

Acumuladores não utilizados durante algum tempo devem ser recarregados antes da sua utilização.

Temperaturas acima de 50°C reduzem a capacidade do bloco acumulador. Evitar exposição prolongada ao sol ou a caloríferos.

Mantenha limpos os contactos eléctricos no carregador e no bloco acumulador.

Para uma vida útil óptima das baterias, terá que carregá-las plenamente após a sua utilização.

Para assegurar uma vida útil longa, o pacote de bateria deve ser removido da carregadora depois do carregamento.

Se o pacote de bateria for armazenado por mais de 30 dias:

Armazene o pacote de bateria com aprox. 27°C em um lugar seco.

Armazene o pacote de bateria com aprox. 30%-50% da carga completa.

Carregue o pacote de bateria novamente de 6 em 6 meses.

Não abra acumuladores e carregadores. Armazená-los em recintos secos. Protegê-los contra humidade.

PROTECÇÃO DE SOBRECARGA DE BATERIA

No caso de sobrecarga da bateria devido a um consumo de corrente demasiado elevado, por exemplo um binário de rotação extremamente elevado, um bloqueio da broca, uma paragem repentina ou um curto-circuito, a ferramenta eléctrica vibra durante 2 segundos e desliga-se automaticamente.

TRANSPORTE DE BATERIAS DE IÃO-LÍTRIO

Baterias de ião-lítio estão sujeitas às disposições da legislação relativa às substâncias perigosas.

O transporte destas baterias deve ser efetuado de acordo com as disposições e os regulamentos locais, nacionais e internacionais. O utilizador pode efetuar o transporte rodoviário destas baterias sem restrições.

O transporte comercial de baterias de ião-lítio por terceiros está sujeito aos regulamentos relativos às substâncias perigosas. A preparação do transporte e o transporte devem ser executados exclusivamente por pessoas instruídas e o processo deve ser acompanhado pelos especialistas correspondentes.

Observe o seguinte no transporte de baterias:

Assegure-se de que os contactos terminais estejam protegidos e isolados para evitar um curto-circuito. Assegure-se de que o bloco da bateria esteja protegido contra movimentos na embalagem. Não transporte baterias danificadas ou que tenham fuga. Para instruções mais detalhadas consulte a companhia de transportes

DECLARAÇÃO DE CONFORMIDADE CE

Declaramos, sob a nossa inteira responsabilidade, que o produto descrito em «Dados Técnicos» cumpre todas as disposições relevantes das diretivas

2011/65/UE (RoHS)

2006/42/CE

2014/53/UE

tendo sido seguidas as seguintes normas harmonizadas

EN 62841-1:2015

EN 62841-2-9:2015

EN 55014-1:2017+A11:2020

EN 55014-2:2015

EN 301 489-1 V2.2.3

EN 301 489-17 V3.1.1

EN 300 328 V2.2.2

EN 62479:2010

EN IEC 63000:2018



Winnenden, 2020-11-09

Alexander Krug / Managing Director
Autorizado a reunir a documentação técnica.

Techtronic Industries GmbH
Max-Eyth-Straße 10, 71364 Winnenden, Germany



SYMBOLE



ATENÇÃO! PERIGO!



Antes de efectuar qualquer intervenção o aparelho retirar o bloco acumulador.



Mantenha as mãos afastadas das peças móveis.



Leia atentamente o manual de instruções antes de colocar a máquina em funcionamento.



Usar sempre óculos de protecção ao trabalhar com a máquina.



Utilize sempre o braço de apoio.



Sempre use luvas de couro.



Este dispositivo contém uma pilha de célula de lítio tipo botão/moeda.

V

Tensão



Corrente contínua



Aparelhos eléctricos, baterias/acumuladores não devem ser jogados no lixo doméstico. Os aparelhos eléctricos e as baterias devem ser colectados separadamente e entregues a uma empresa de reciclagem para a eliminação correcta. Solicite informações sobre empresas de reciclagem e postos de colecta de lixo das autoridades locais ou do seu vendedor autorizado.



Marca de Conformidade Europeia



Marca de Conformidade Britânica



Marca de Conformidade Ucraniana



Marca de Conformidade Eurasiática



Por

TECHNISCHE GEGEVENS Pijpsnijder	M18 FPT2
Productienummer	4773 51 01 000001-999999
Bluetooth-frequentieband (frequentiebanden)	2402 - 2480 MHz
Hoogfrequent vermogen	1,8 dBm
Bluetooth-versie	4.0 BT signal mode
Accutechnologie	Li-Ion
Spanning wisselakku	18 V
Nominaal toerental	
1e versnelling	0 min ⁻¹ ... 29 min ⁻¹
2e versnelling	0 min ⁻¹ ... 41 min ⁻¹
Capaciteit	
1e versnelling	1 1/2" ... 2" 32 mm ... 50 mm
2e versnelling	1/8" ... 1 1/4" 3 mm ... 30 mm
Snijkoppen	Ridgid 12-R
Gewicht volgens de EPTA-procedure 01/2014 (Li-Ion 2.0 Ah ... 12.0 Ah)	10,54 kg ... 11,60 kg
Aanbevolen omgevingstemperatuur voor het bedrijf	-18 °C ... +50 °C
Aanbevolen accupacks	M18B... min. 6.0 Ah M18HB...
Aanbevolen laadtoestellen	M12-18..., M1418C6
Geluidsinformatie	
Meetwaarden vastgesteld volgens EN 62841. Het kenmerkende A-gewogen geluidsniveau van de machine bedraagt:	
Geluidsdrukniveau (Onzekerheid K=3dB(A))	74,2 dB(A)
Geluidsvermogeniveau (Onzekerheid K=3dB(A))	85,2 dB(A)
Draag oorbeschermers!	
Trillingsinformatie	
Totale trillingswaarden (vectorsom van drie richtingebepaald volgens EN 62841.	
Trillingsemissiewaarde a_{hmax}	1,6 m/s ²
Onzekerheid K=	1,5 m/s ²



WAARSCHUWING!

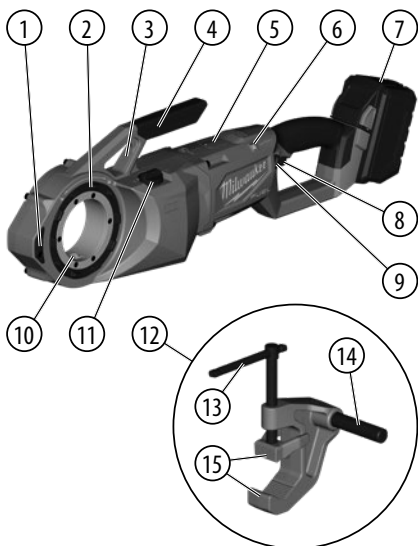
De in dit informatieblad vermelde trillings- en geluidsniveaus zijn gemeten in overeenstemming met een standaard testmethode conform EN 62841 en kunnen worden gebruikt om gereedschap met elkaar te vergelijken. Deze kunnen ook worden gebruikt voor het vooraf evalueren van de blootstelling.

De vermelde trillings- en geluidsniveaus gelden voor de meest gebruikelijke toepassingen van het gereedschap. Wanneer het gereedschap echter voor andere doeleinden of met andere hulpstukken gebruikt wordt of niet naar behoren onderhouden wordt, kan de mate van blootstelling over de hele werkperiode aanzienlijk hoger uitvallen.

Voor een nauwkeurige inschatting van de blootstelling aan trillingen en geluid moet ook de tijd in aanmerking worden genomen die het apparaat uitgeschakeld is of weliswaar loopt, maar niet werkelijk in gebruik is. Dit kan de waarde van de mate aan blootstelling over de hele werkperiode aanzienlijk verminderen.

Bepaal extra veiligheidsmaatregelen ter bescherming van de gebruiker tegen de gevolgen van trillingen en/of geluid, bijvoorbeeld: onderhoud van het gereedschap en hulpstukken, warmhouden van de handen, organisatie van de werkprocessen.

Draag oorbeschermers. Lawaai kan gehoorverlies veroorzaken.



Beschrijving van het apparaat

- | | |
|-----------------------------|------------------------|
| ① Zijgreep | ⑨ Bedieningsschakelaar |
| ② Borgring snijkop | ⑩ Koppeloverdracht |
| ③ Verbindingspunt steurnarm | ⑪ Snelheidsknop |
| ④ Draaggreep | ⑫ Steunklem |
| ⑤ Interne batterij | ⑬ Aandraai-arm |
| ⑥ ONE KEY-indicator | ⑭ Steurnarm |
| ⑦ Accupack | ⑮ Bekken |
| ⑧ Hendel | |

⚠ WAARSCHUWING

Lees en bekijk alle veiligheidsaanwijzingen, afbeeldingen en gegevens die u bij het apparaat ontvangt. Als u de volgende aanwijzingen niet in acht neemt, kunnen een elektrische schok, brand en/of ernstig letsel het gevolg zijn. **Bewaar alle waarschuwingen en voorschriften voor toekomstig gebruik.**

⚠ VEILIGHEIDSINSTRUCTIES VOOR PIJPSNIJDERS

- Gebruik altijd de steun behorende bij het apparaat. Controleer tijdens de werking of u persoonlijk letsel tot gevolg hebben.
- Houd mouwen en jasjes dichtgeknoopt bij het werken met het gereedschap. Niet door het apparaat of de pijp heen reiken. Kleding kan worden meegetrokken door de pijp of het gereedschap en er zo in verstrikt raken.
- Er mag slechts één persoon zijn die het werkproces en het gebruik van het gereedschap controleert. Als er meer mensen betrokken zijn bij het proces, kan dit leiden tot onbedoeld gebruik en persoonlijk letsel.
- Houd vloeren droog en vrij van glibberig materiaal zoals olie. Glibberige vloeren veroorzaken ongelukken.

Verdere veiligheids- en werkinstructies

- Houd bij het snijden of het losmaken van de snijkop van de pijp het apparaat stevig vast om tegenwicht te geven aan de krachten, ongeacht het gebruik van steunen. Dit vermindert de kans op wegslaan, bekneld raken of ander letsel.
- Gebruik geen koppen waar slijtage te zien is of die dolgedraaid of beschadigd zijn. Scherp snijgereedschap heeft minder koppel nodig en het gereedschap is eenvoudiger te hanteren.
- Gebruik alleen:**
 - Rems Quick change 1/8" ... 2" (met adapterringen)
 - Rothenberger Snijkoppen 1/4" ... 2" (met adapterringen)
 - Ridgid 11-R 1/4" ... 2" (met adapterringen)
 - Ridgid 12-R
- Bewaar de snijkoppen niet in het gereedschap om slijtage door metaal op metaal te voorkomen.**
- Gebruik altijd uw gezond verstand en wees voorzichtig bij het gebruik van gereedschap.** Het is niet mogelijk om elke situatie te anticiperen die zou kunnen leiden tot gevaar. Gebruik dit gereedschap niet als u deze gebruiksaanwijzing niet begrijpt of denkt dat de werkzaamheden te moeilijk voor u zijn; neem contact op met Milwaukee Tool of een opgeleide professional voor aanvullende informatie of training.
- Etiketten en typeplaatjes mogen niet worden verwijderd.** Deze plaatjes bevatten belangrijke informatie. Als deze informatieplaatjes niet meer leesbaar zijn of ontbreken, kunt u voor kosteloze vervanging contact opnemen met de technische dienst van MILWAUKEE.

⚠ WAARSCHUWING

Stof dat wordt gecreëerd door elektrisch schuren, zagen, slijpen, boren en andere bouwwerkzaamheden kan chemische stoffen bevatten, waarvan bekend is dat deze kanker, geboortefwijkingen of andere vruchtbaarheidsproblemen veroorzaken. Enkele voorbeelden van deze chemische stoffen zijn:

- lood van loodhoudende verf
- kristallijn silica van bakstenen en cement en andere metselproducten, en
- arsen en chroom van chemisch behandeld hout.

Uw risico op blootstelling hieraan verschilt, afhankelijk van hoe vaak u dit soort werkzaamheden uitvoert. Om blootstelling aan deze chemische stoffen te verlagen: werk in een goed geventileerde ruimte en werk met goedgekeurde veiligheidsuitrusting, zoals ademmaskers die speciaal zijn ontworpen om microscopische deeltjes eruit te filteren.

VOORGESCHREVEN GEBRUIK VAN HET SYSTEEM

Dit gereedschap is speciaal ontworpen voor het insnijden van pijpen en boutschroefdraden voor rechtse en linkse schroefdraden tot een max. afmeting van 2". Alle andere, niet voor het beoogde doel bestemde toepassingen zijn verboden.

MONTEREN

⚠ WAARSCHUWING

Gebruik alleen de speciaal voor dit gereedschap aanbevolen accessoires. Andere accessoires kunnen gevaar opleveren.

Installeren/verwijderen van snijkoppen

De snijkop kan van beide zijden van het gereedschap worden geplaatst.

De snijkop/adapter moet vanaf de juiste zijde van het gereedschap worden ingevoerd.

1. Verwijder het accupack.
2. Monteer de snijkoppen/adapters zoals aangegeven
3. Controleer altijd of de snijkop in het gereedschap is vergrendeld alvorens te beginnen met snijden.
4. Om de snijkop te verwijderen de borgring ontgrendelen en de snijkop van het gereedschap aftrekken.

BEDIENING

Weerstaan van snijkrachten

Gebruik altijd de steun behorende bij het gereedschap. De steunarm zet de pijp klem en helpt de snijkrachten te weerstaan.

WAARSCHUWING! Controleverlies tijdens de werking kan persoonlijk letsel tot gevolg hebben.

Selecteren van de snelheid

De snelheidsknop bevindt zich aan de bovenkant van de behuizing. Laat het gereedschap geheel tot stilstand komen alvorens de snelheid te wijzigen.

Gebruiken van de bedieningsschakelaar

De bedieningsschakelaar kan in drie posities worden gezet: rechtsom, linksom en vergrendeld. Laat de motor altijd geheel tot stilstand komen alvorens de bedieningsschakelaar te gebruiken.

Duw voor een rotatie rechtsom de bedieningsschakelaar in vanaf de linkerzijde van het gereedschap. **Controleer voor gebruik de draairichting. Deze rotatie maakt rechte schroefdraden wanneer de kop vanaf de linker(voor)zijde van het gereedschap wordt geplaatst.**

Duw voor een rotatie linksom de bedieningsschakelaar in vanaf de rechterzijde van het gereedschap. **Controleer voor gebruik de draairichting. Deze rotatie maakt rechte schroefdraden wanneer de kop vanaf de rechter(achter)zijde van het gereedschap wordt geplaatst.**

Vergrendel altijd de AAN/UIT-schakelaar of verwijder het accupack alvorens onderhoud uit te voeren, accessoires te verwisselen en het gereedschap op te bergen, maar ook altijd als het gereedschap niet wordt gebruikt.

Snijden

Bereid de pijp goed voor. Zorg dat de pijp recht afgesneden en ontbraamd is. Pijpen die in een hoek gesneden zijn, kunnen de koppen bij het snijden beschadigen en kunnen de werking van de snijkop verstoren. De pijp moet stabiel zijn en goed worden vastgezet om omkiepen tijdens gebruik te voorkomen. Gebruik de juiste pijpstandaards voor het steunen van de pijpplente.

WAARSCHUWING! Draag geen sieraden of loshangende kleding en gebruik geen lappen bij gebruik van het gereedschap. Draag geen handschoenen die kunnen blijven hangen bij het drukken op of bij bewegende delen. Dit verhoogt het risico op verstriking en letsel. Zodra de snijkop de pijp pakt, worden er schroefdraden gesneden doordat de snijkoppen zichzelf naar het einde van de pijp bewegen.

WAARSCHUWING! Houd het gereedschap altijd stevig vast om weerstand te bieden aan de krachten van het gereedschap. Steunapparatuur zou, in zeldzame gevallen, kunnen slippen en ertoe leiden dat het gereedschap gaat bewegen.

Gebruik een oliedruppelaar om een flinke hoeveelheid draadsnijolie op het gebied aan te brengen. Dit verlaagt het vereiste snijkoppel, verhoogt de kwaliteit van de schroefdraad en verlengt de levensduur van de kop.

WAARSCHUWING! Snijranden kunnen scherp zijn. Verwijder alle gemorste olie, zodat de werkomgeving veilig blijft.

Keer voor linkse schroefdraad de selectie van recht-/linksom om.

Het inspecteren van schroefdraad/Het gebruiken van een ringmaat

1. Veeg alle olie, schaafsel of restanten van de schroefdraad.
2. Inspecteer de schroefdraad. Deze moeten glad, volledig en met goede vorm zijn. Als er onregelmatigheden worden gezien zoals gescheurd schroefdraad, dun schroefdraad of als pijp die niet goed van vorm is, sluit de schroefdraad mogelijk niet goed af.
3. Om de afmeting van de schroefdraad met een ringmaat te controleren, de mal op de pijp schroeven en met de hand aandraaien. Het einde van de pijp dient parallel te zijn met de zijkant van de mal (plus of minus één draai). Als de schroefdraad niet goed meet, snij dan de draad door, stel de snijkop bij en snij een andere schroefdraad. **WAARSCHUWING!** Het gebruik van een schroefdraad die niet goed is aangemeten, kan lekkage veroorzaken.

ONDERHOUD

Voor alle werkzaamheden aan de apparat de accu verwijderen.

Open nooit de pijpsnijder, verwijderbare accu of oplader.

Controleer de pijpsnijder op eventuele problemen zoals geluid of vastlopen van bewegende delen die een negatieve uitwerking kunnen hebben op het gereedschap.

Controleer het knipgereedschap op scheuren en andere tekenen van slijtage.

Verwijder stof en rommel van openingen. Houd de handgreep schoon, droog en vrij van olie of vet. Gebruik alleen milde zeep en een vochtige doek voor het reinigen, aangezien bepaalde reinigingsmiddelen en oplosmiddelen schadelijk zijn voor plastic en andere geïsoleerde onderdelen. Sommige van deze middelen bevatten benzine, terpentine, lakverdunner, verfverdunner, chloorreinigingsmiddelen, ammoniak en huishoudreinigingsmiddelen met ammoniak. Gebruik nooit ontvlambare of brandbare oplosmiddelen in de buurt van gereedschappen.

Controleer of de snijkoppen scherp zijn en vervang afgesleten snijkoppen altijd als volledige set.

Vervang de klauwen wanneer ze gesplinterd zijn of beschadigingen vertonen.

Vervang snijkoppen altijd als volledige set.

Om verwondingen te voorkomen mag u het gereedschap, de verwijderbare accu of de lader nooit in een vloeistof dopen of vloeistof in deze apparaten laten doordringen.

Altijd de luchtspleten van de machine schoonhouden.

Ander onderhoud en reparaties mogen uitsluitend worden uitgevoerd door geautoriseerde werkplaatsen.



Gebruik uitsluitend Milwaukee toebehoren en onderdelen. Indien componenten die moeten worden vervangen niet zijn beschreven, neem dan contact op met een officieel Milwaukee servicecentrum (zie onze lijst met servicecentra).

Onder vermelding van het nummer op het machineplaatje is desgewenst een doorsnedetekening van de machine verkrijgbaar bij: Techtronic Industries GmbH, Max-Eyth-Straße 10, 71364 Winnenden, Germany.

ONE-KEY™

Meer informatie over de ONE-KEY™-functionaliteit van dit gereedschap vindt u in de Quick Start-handleiding die bij dit product is meegeleverd of op <http://www.milwaukeeetool.com/one-key>

Van de App Store of Google Play kunt u de ONE-KEY app downloaden naar uw smartphone.

Het testresultaat voldoet aan onze minimumvereisten conform EN 301 489-1 / EN 301 489-17. Daarnaast geven wij de klanten in deze gebruikshandleiding informatie over het gebruik.

AKKU

Langere tijd niet toegepaste wisselakku's vóór gebruik altijd naladen.

Een temperatuur boven de 50°C vermindert de capaciteit van de accu. Langdurige verwarming door zon of hitte vermijden.

De aansluitkontakten aan het laadapparaat en de accu schoonhouden.

Voor een optimale levensduur moeten de accu's na het gebruik volledig opgeladen worden.

Voor een zo lang mogelijke levensduur van de accu's dienen deze na het opladen uit het laadtoestel te worden verwijderd.

Bij een langere opslag van de accu dan 30 dagen: accu bij ca. 27 °C droog bewaren.

accu bij ca. 30 % - 50 % van de laadtoestand bewaren.

accu om de 6 maanden opnieuw opladen.

In de wisselakku-opnameschacht van het laadapparaat mogen géén metaaldeeltjes komen (kortsluitingsgevaar!).

OVERBELASTINGSBEVEILIGING VAN DE ACCU

Bij overbelasting van de accu door een zeer hoog stroomverbruik, bijv. extreem hoge draaimomenten, klemmen van de boor, plotseling stoppen of kortsluiting, vibreert het elektrische gereedschap gedurende 2 seconden en schakelt dan automatisch uit.

TRANSPORT VAN LITHIUM-IONEN-ACCU'S

Lithium-ionen-accu's vallen onder de wettelijke bepalingen inzake het transport van gevaarlijke goederen.

Voor het transport van deze accu's moeten de lokale, nationale en internationale voorschriften en bepalingen in acht worden genomen.

Verbruikers mogen deze accu's zonder meer over de weg transporteren.

Het commerciële transport van lithium-ionen-accu's door expeditiebedrijven is onderhevig aan de bepalingen inzake het transport van gevaarlijke goederen. De verzendingsvoorbereidingen en het transport mogen uitsluitend worden uitgevoerd door dienovereenkomstig opgeleide personen. Het complete proces moet vakkundig worden begeleid.

Onderstaande punten moeten bij het transport van accu's in acht worden genomen:

Waarborg ter vermindering van kortsluitingen dat de contacten beschermd en geïsoleerd zijn. Let op dat het accupack in de verpakking niet kan verschuiven. Beschadigde of lekkende accu's mogen niet worden getransporteerd. Neem voor meer informatie contact op met uw expeditiebedrijf.

EC - VERKLARING VAN OVEREENSTEMMING

We verklaren geheel onder eigen verantwoordelijkheid dat het product in de "Technische data" voldoet aan alle relevante bepalingen van de richtlijnen

2011/65/EU (RoHS)

2006/42/EG

2014/53/EU

en de volgende geharmoniseerde normen zijn gebruikt

EN 62841-1:2015

EN 62841-2-9:2015

EN 55014-1:2017+A11:2020

EN 55014-2:2015

EN 301 489-1 V2.2.3

EN 301 489-17 V3.1.1

EN 300 328 V2.2.2

EN 62479:2010

EN IEC 63000:2018



Winnenden, 2020-11-09

Alexander Krug / Managing Director

Gemachtigd voor samenstelling van de technische documenten

Techtronic Industries GmbH

Max-Eyth-Straße 10, 71364 Winnenden, Germany

SYMBOLEN



OPGELET! WAARSCHUWING! GEVAAR!



Voor alle werkzaamheden aan de apparat de akku verwijderen.



Houd de handen uit de buurt van bewegende delen.



Graag instructies zorgvuldig doorlezen vóórdát u de machine in gebruik neemt.



Bij het werken met de machine altijd een veiligheidsbril dragen.



Gebruik altijd de steunarm.



Draag altijd leren handschoenen..



Dit apparaat heeft een type knoopcel-lithiumbatterij.



Spanning



Gelijkstroom



Elektrische apparaten, batterijen en accu's mogen niet via het huisafval worden afgevoerd. Elektrische apparaten en accu's moeten gescheiden worden verzameld en voor een milieuvriendelijke afvoer worden afgegeven bij een recyclingbedrijf. Informeer bij uw gemeente of bij uw vakhandelaar naar recyclingbedrijven en inzamelpunten.



Europees symbool van overeenstemming



Brits symbool van overeenstemming



Oekraïens symbool van overeenstemming



Euro-Aziatisch symbool van overeenstemming



TEKNISKE DATA Rørgevindskærer	M18 FPT2
Produktionsnummer	4773 51 01 000001-999999
Bluetooth-frekvensbånd	2402 - 2480 MHz
Højfrekvenseffekt	1,8 dBm
Bluetooth-version	4.0 BT signal mode
Akkumulatorteknologi	Li-Ion
Udskiftningsbatteriets spænding	18 V
Nominelt omdrejningstal	
1. Gear	0 min ⁻¹ ... 29 min ⁻¹
2. Gear	0 min ⁻¹ ... 41 min ⁻¹
Kapacitet	
1. Gear	1 1/2" ... 2" 32 mm ... 50 mm
2. Gear	1/8" ... 1 1/4" 3 mm ... 30 mm
Matricehoveder	Ridgid 12-R
Vægt svarer til EPTA-procedure 01/2014 (Li-Ion 2.0 Ah ... 12.0 Ah)	10,54 kg ... 11,60 kg
Anbefalet omgivelsestemperatur til driften	-18 °C ... +50 °C
Anbefalede batteripakker	M18B... min. 6.0 Ah M18HB...
Anbefalede opladere	M12-18..., M1418C6
Støjinformation	
Måleværdier beregnes iht. EN 62841. Værktøjets A-vurderede støjniveau er typisk:	
Lydtrykniveau (Usikkerhed K=3dB(A))	74,2 dB(A)
Lydeffekt niveau (Usikkerhed K=3dB(A))	85,2 dB(A)
Brug høreværn!	
Vibrationsinformation	
Samlede vibrationsværdier (værdisum for tre retninger) beregnet iht. EN 62841.	
Vibrationseksponering a _{hmax}	1,6 m/s ²
Usikkerhed K=	1,5 m/s ²



ADVARSEL!

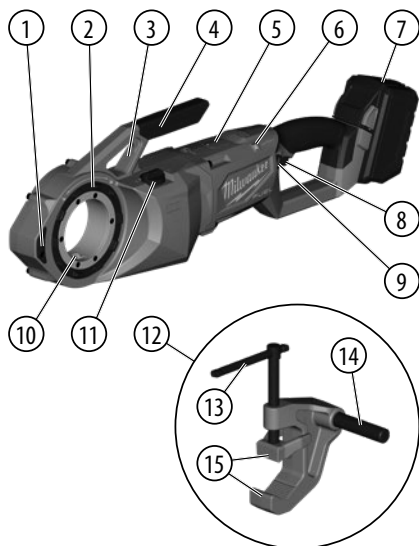
Det vibrations- og støjmissionsniveau, der nævnes i dette oplysningsskema, er blevet målt i overensstemmelse med en standardiseret test fra EN 62841, og det kan bruges til at sammenligne ét værktøj med et andet. Det kan bruges til en foreløbig bedømmelse af eksponeringen.

Det erklærede vibrations- og støjmissionsniveau repræsenterer værktøjets primære anvendelsesformål. Det er dog sådan, at hvis værktøjet bruges til andre formål, med forskelligt tilbehør eller dårlig vedligehold, så kan vibrations- og støjmissionen variere. Det kan evt. øge eksponeringsniveauet markant i løbet af det samlede arbejdstidsrum.

En vurdering af eksponeringsniveauet ift. vibration og støj bør også tage hensyn til de tidspunkter, hvor værktøjet er slukket eller hvor det kører, men rent faktisk ikke udfører jobbet. Det kan evt. mindske eksponeringsniveauet markant i løbet af det samlede arbejdstidsrum.

Identificér yderligere sikkerhedsforanstaltninger med henblik på at beskytte brugeren mod effekten af vibration og/eller støj, som fx: vedligehold værktøjet og tilbehøret, hold hænderne varme, organisering af arbejdsmonstre.

Bær høreværn. Støjen kan føre til nedsat hørelse.



Apparatbeskrivelse

- | | |
|--------------------------------|-----------------------|
| ① Sidehåndtag | ⑨ Styrekontakt |
| ② Matricehoved-låsering | ⑩ Moment transmission |
| ③ Støttearm-fastsplændingssted | ⑪ Valg af hastighed |
| ④ Bærehåndtag | ⑫ Støtteklemme |
| ⑤ Internt batteri | ⑬ Strammearm |
| ⑥ ONE KEY indikator | ⑭ Støttearm |
| ⑦ Batteripakke | ⑮ Bakker |
| ⑧ Udløser | |

⚠ ADVARSEL

Læs alle sikkerhedsanvisninger, anvisninger, instruktioner og data, der følger med enheden. Overholder du ikke følgende instruktioner, kan du få elektrisk stød, der kan opstå brand og /eller du kan blive kvæstet alvorligt.

Opbevar alle advarselshenvisninger og instrukser til senere brug.

⚠ SIKKERHEDSANVISNINGER FOR RØRGEVINDSKÆRER

- Brug altid den støtteenhed, der følger med værktøjet. Kontroltab under betjeningen kan føre til personskader.
- Hold ærmer og jakker tilknappe under betjeningen af værktøjet. Ræk ikke hen over værktøjet eller røret. Tøjet kan blive fanget af røret, eller værktøjet kan klemme sig fast.
- Kun én person må kontrollere arbejdsprocessen og betjeningen af værktøjet. Hvis der er flere mennesker involveret i processen, kan dette resultere i utilsigtet betjening og personskade.
- Hold gulve tørre og fri for glatte materialer, som f.eks. olie. Glatte gulve indbyder til ulykker.

Yderligere sikkerheds- og arbejdsinformationer

- Hold godt fast i værktøjet under gevindskæring eller understøttelse af matricehovedet væk fra rør, for at modstå kræfter uanset hvilken støtteenhed, der er brugt. Dette reducerer risikoen for slag, knusning og andre kvæstelser.
- Brug ikke matricer, der viser tegn på slid, er sløve eller beskadigede. Skarpe skæreværktøjer kræver et mindre drejningsmoment, og værktøjet er lettere at kontrollere.
- Brug kun:**
 - Rems Quick change 1/8" ... 2" (med adapterringe)
 - Rothenberger Matricehoveder 1/4" ... 2" (med adapterringe)
 - Ridgid 11-R 1/4" ... 2" (med adapterringe)
 - Ridgid 12-R
- Opbevar ikke matricehoveder i værktøj for at forhindre metal på metalslid.
- Brug altid din sunde fornuft og vær forsigtig, når du bruger værktøj. Det er ikke muligt at forudsige enhver situation, som kan medføre et farligt udfald. Benyt ikke dette værktøj, hvis du ikke forstår denne brugsanvisning eller føler, at arbejdet overstiger dine evner; kontakt Milwaukee Tool eller en uddannet ekspert for yderligere information eller undervisning.
- Undlad at fjerne mærkater og typeskilte. Disse skilte indeholder vigtige informationer. Hvis oplysningskiltene ikke længere er læselige eller mangler, bedes du kontakte MILWAUKEE-kundeservice for at få en gratis reservedel.

⚠ ADVARSEL

Nogle former for støv, der opstår pga. elektrisk polering, savning, slibning, boring og andre byggeaktiviteter, indeholder kemikalier, som er kendt for at forårsage kræft, misdannelser eller andre forplantningsmæssige skader. Nogle eksempler på disse kemikalier er:

- bly fra blyholdig maling
- krystallinsk silikat fra mursten og andre murværksprodukter og
- arsen og krom fra kemisk behandlet tømmer.

Din risiko for disse eksponeringer varierer, alt afhængig af hvor ofte du laver denne type arbejde. Sådan mindsker du din eksponering ift. disse kemikalier: Arbejd i et velventileret område og med godkendt sikkerhedsudstyr, som fx de støvmasker, der er specielt designet til at filtrere mikroskopiske partikler.

TILTÆNKET FORMÅL

Dette værktøj er specificeret til at skære rør- og boltgevind til højre- og venstregevind på en størrelse op til 2". Enhver anden utilsigtet anvendelse, er forbudt.

SAMLING

⚠ ADVARSEL

Anvend kun tilbehør, som er specielt anbefalet til dette værktøj. Andet tilbehør kan være farligt.

Installation / fjernelse af matricehoveder

Matricehovedet kan indsættes fra begge sider af værktøjet. Matricehovedet/adapteren skal indsættes fra den rigtige side af værktøjet.

- Fjern batteripakke.
- Saml matricehovederne/adapterne som vist



- Kontroller altid, at matricehovedet er låst fast i værktøjet, inden du starter et snit.
- For at fjerne det, skal du låse matricehovedets låsering op, og trække matricehovedet fra værktøjet.

BETJENING

Modstå gevindskæringskræfterne

Brug altid den støtteenhed, der følger med værktøjet. Bæremarmen klemmer sig fast til røret og hjælper med at modstå gevindskæringskræfterne.

ADVARSEL! Kontroltab under arbejdet kan føre til personskade.

Valg af hastighed

Hastighedsvælgeren befinder sig oven på kabinettet. Lad værktøjet stoppe helt, før du ændrer hastigheder.

Brug af styrekontakten

Styrekontakten kan indstilles til tre positioner: med uret, mod uret og låst. Lad altid motoren stoppe helt, før du bruger styrekontakten.

For en rotation med uret, trykkes på styrekontakten fra værktøjets venstre side. **Kontroller rotationsretningen inden brug. Denne rotation vil frembringe højrevind, når matricen indsættes fra venstre (forreste) side af værktøjet.**

For en rotation mod uret, trykkes på styrekontakten fra værktøjets højre side. **Kontroller rotationsretningen inden brug. Denne rotation vil frembringe højrevind, når matricen indsættes fra højre (bagerste) side af værktøjet.**

Lås altid startknappen, eller fjern batteripakken, inden du udfører vedligeholdelse, udskiftning af tilbehør, opbevarer værktøjet og når som helst, værktøjet ikke er i brug.

Gevindskæring

Forbered røret korrekt. Sørg for, at røret er skåret lige igennem og afrundet. Rør, der er skåret i en vinkel, kan beskadige matricerne under gevindskæring og kan gøre det vanskeligt at bruge matricehovedet. Røret skal være stabilt og sikret for at forhindre, at det vælter under brug. Brug egnede rørstandere til at understøtte rørlængden.

ADVARSEL! Vær ikke iført smykker, løstsiddende tøj, og brug ikke klude, mens du arbejder med værktøjet. Bær ikke handsker, der er tilbøjelige til at sætte sig fast, mens du skubber til, er eller i nærheden af bevægelige dele; dette øger risikoen for klemning og personskade. Når først matricerne er gået i indgreb med røret, skæres gevindet i takt med at matricerne skubber sig mod enden af røret.

ADVARSEL! Hold altid fast i værktøjet for at modstå værktøjskræfterne. Støtteenheder kan i sjældne tilfælde glide og lade værktøjet bevæge sig.

Brug en olikande til at påføre en rigelig mængde gevindskærende olie på området. Dette vil sænke det nødvendige gevindmoment, forbedre gevindkvaliteten og øge matricens levetid.

ADVARSEL! Snittene kan være skarpe. fjern alt oliespild for at opretholde et sikkert arbejdsmiljø.

For venstregevind, skal du dreje valgene med/mod uret.

Eftersyn af gevind/brug af en ringmåler

- Tør al olie, spåner eller snavs af gevindet.
- Efterse gevindet. Gevind skal være glatte, fuldstændige og i god form. Hvis der er tegn på uregelmæssigheder, så som overrevne gevind, tynde gevind eller rundinger væk fra røret, forsegles gevindet muligvis ikke.
- For at kontrollere gevindets størrelse med en ringmåler, trådes måleren på røret og strammes manuelt. Enden af røret skal flugte med siden af måleren (plus eller minus en omgang). Hvis gevindet viser et ukorrekt mål, skal du afskære gevindet, justere matricehovedet og skære et nyt gevind. **ADVARSEL!** Brug af et gevind med ukorrekte mål, kan forårsage lækager.

VEDLIGEHOLDELSE

Ved arbejde inden i maskinen, bør batteriet tages ud.

Åbn aldrig rørgvindskæreren, det aftagelige batteri eller opladeren.

Efterse rørgvindskæreren for problemer af enhver art, som f.eks. larm eller fastsiddende bevægelige dele, som kan påvirke værktøjet.

Eftersé skæreværktøjet for revner og andre tegn på slitage.

Rens snavs og rester fra åbninger. Hold håndtaget rent, tørt og fri for olie eller fedt. Benyt kun mild sæbe og en fugtig klud til at rense med, da bestemte rengørings- og opløsningsmidler er skadelige for plastik og andre isolerede dele. Nogle af disse er benzin, terperintin, lakfortyndere, malingsfortyndere, klorholdig rensebenzin, ammoniak og rengøringsmidler til husholdningsbrug, som indeholder ammoniak. Benyt aldrig letantændelige eller brændbare opløsningsmidler i nærheden af værktøjer.

Efterse at matricerne er skarpe og udskift slidte matricer.

Udskift indsatserne når de får revner eller skader.

Udskift altid matricer som et helt sæt.

For at undgå person- og materialskade, må værktøjet, det aftagelige batteri eller opladeren aldrig dykkes ned i eller gennemtrænges af væske.

Hold altid maskinens ventilationsåbninger rene.

Yderligere service og reparationer må kun udføres af autoriserede og specialiserede værksteder.

Brug kun Milwaukee-tilbehør og Milwaukee-reservedele.

Komponenter, hvor udskiftningsproceduren ikke er beskrevet, skal skiftes ud hos et Milwaukee-servicested (se brochure garanti/kundeserviceadresser).

Ved opgivelse af type nr. der er angivet på maskinens effektskilt, kan de rekvirere en reservedelstegning, ved henvendelse til: Technonic Industries GmbH, Max-Eyth-Straße 10, 71364 Winnenden, Germany.

ONE-KEY™

For at læse mere om dette apparats ONE-KEY funktionalitet, så se venligst quick start guiden, der følger med dette produkt, eller besøg <http://www.milwaukeekeetool.com/one-key>

Du kan downloade ONE-KEY-app'en til din smartphone fra App Store eller Google Play.

Kontrolresultatet opfylder vores minimumskrav iht. EN 301 489-1 / EN 301 489-17. Og vi sørger for, at kunden får driftsvejledningen som del af vores brugervejledning.

BATTERI

Udskiftningsbatterier, der ikke har været brugt i længere tid, efterlades inden brug.

Ved temperaturer over 50°C formindskes batteriets effekt. Undgå direkte sollys og stærk varme.

Tilslutningskontakterne på oplader og udskiftningsbatterier skal holdes rene.

For at opnå en optimal levetid skal de genopladelige batterier oplades fuldt efter brug.

For at sikre en så lang levetid som muligt skal batterierne tages ud af ladeaggregatet efter opladning.

Skal batterierne opbevares længere end 30 dage:

Temperatur ca. 27°C i tørre omgivelser.

Opbevares ved ca. 30%-50% af ladetilstanden.

Batterier skal genoplades hver 6. måned.

Metaldele o.lign må ikke komme i berøring med rummet beregnet for udskiftningsbatterier (kortslutningsfare).

OVERBELASTNINGSSIKRING FOR BATTERI

Overbelastes batteriet på grund af meget højt strømforbrug, f.eks. som følge af ekstremt høje drejningsmomenter, fastklemning af bor, pludseligt stop eller kortslutning, brummer el-værktøjet i 2 sekunder og slukker så af sig selv.

TRANSPORT AF LITHIUM-BATTERIER

Lithium-batterier er omfattet af lovgivningen om transport af farligt gods.

Transporten af disse batterier skal ske under overholdelse af lokale, nationale og internationale regler og bestemmelser.

Forbrugere må transportere disse batterier på veje uden yderligere krav.

Den kommercielle transport af lithium-batterier ved speditjonsfirmaer er omfattet af reglerne for transport af farligt gods. Forberedelsen af forsendelse og transport må kun udføres af tilsvarende trænedede personer. Den samlede proces skal følges af fagfolk.

Følgende punkter skal overholdes ved transport af batterier:

Sørg for at kontakterne er beskyttet og isoleret for at forhindre kortslutninger. Sørg for at batteripakken ikke kan bevæge sig inden for emballagen. Beskadigede eller lækkende batterier må ikke transporteres. Kontakt dit speditjonsfirma for at få yderligere oplysninger.

CE-KONFORMITETSERKLÆRING

Vi erklærer som eneansvarlige, at produktet, som beskrives under „Tekniske data“, opfylder alle de relevante bestemmelser i direktiverne

2011/65/EU (RoHS)

2006/42/EF

2014/53/EU

og følgende harmoniserede standarder er blevet anvendt

EN 62841-1:2015

EN 62841-2-9:2015

EN 55014-1:2017+A11:2020

EN 55014-2:2015

EN 301 489-1 V2.2.3

EN 301 489-17 V3.1.1

EN 300 328 V2.2.2

EN 62479:2010

EN IEC 63000:2018



Winnenden, 2020-11-09

Alexander Krug / Managing Director

Autoriseret til at udarbejde de tekniske dokumenter.

Techtronic Industries GmbH

Max-Eyth-Straße 10, 71364 Winnenden, Germany



SYMBOLER



VIGTIGT! ADVARSEL! FARE!



Ved arbejde inden i maskinen, bør batteriet tages ud.



Hold hænderne væk fra bevægelige dele.



Læs brugsanvisningen nøje før ibrugtagning.



Når der arbejdes med maskinen, skal man have beskyttelsesbriller på.



Brug altid støtteam.



Brug altid læderhandsker.



Dette apparat indeholder et knapcelle litium batteri.

V

Spænding



Jævnstrøm



Elektrisk udstyr eller (genopladelige) batterier må ikke bortskaffes sammen med det almindelige husholdningsaffald. Elektrisk udstyr og genopladelige batterier skal indsamles særskilt og afleveres hos en genbrugsvirksomhed til en miljømæssig forsvarlig bortskaffelse. Spørg de lokale myndigheder eller din forhandler om genbrugsstationer og indsamlingssteder til sådant affald.



Europæisk konformitetsmærke



Britisk konformitetsmærke



Ukrainsk konformitetsmærke



Eurasisk konformitetsmærke



Dan

TEKNISKE DATA Rørgjengeskjærer	M18 FPT2
Produksjonsnummer	4773 51 01 000001-999999
Bluetooth-Frekvensbånd (Frekvensbånd)	2402 - 2480 MHz
Høyfrekvens ytelse	1,8 dBm
Bluetooth-versjon	4.0 BT signal mode
Oppladbart batteri	Li-Ion
Spenning vekselbatteri	18 V
Nominelt turtall	
1. Gir	0 min ⁻¹ ... 29 min ⁻¹
2. Gir	0 min ⁻¹ ... 41 min ⁻¹
Kapasitet	
1. Gir	1 1/2" ... 2" 32 mm ... 50 mm
2. Gir	1/8" ... 1 1/4" 3 mm ... 30 mm
Gjengebakke	Ridgid 12-R
Vekt i henhold til EPTA-Prosedyren 01/2014 (Li-Ion 2.0 Ah ... 12.0 Ah)	10,54 kg ... 11,60 kg
Anbefalt omgivelsestemperatur for drift	-18 °C ... +50 °C
Anbefalte batteripakker	M18B... min. 6.0 Ah M18HB...
Anbefalte ladere	M12-18..., M1418C6
Støyinformasjon	
Måleverdier fastslått i samsvar med EN 62841. Det typiske A-bedømte støynivået for maskinen er:	
Lydtrykknivå (Usikkerhet K=3dB(A))	74,2 dB(A)
Lydeffektnivå (Usikkerhet K=3dB(A))	85,2 dB(A)
Bruk hørselsvern!	
Vibrasjonsinformasjoner	
Totale svingningsverdier (vektorsum fra tre retninger) beregnet jf. EN 62841.	
Svingningsemisjonsverdi a _{hmax}	1,6 m/s ²
Usikkerhet K=	1,5 m/s ²



ADVARSEL!

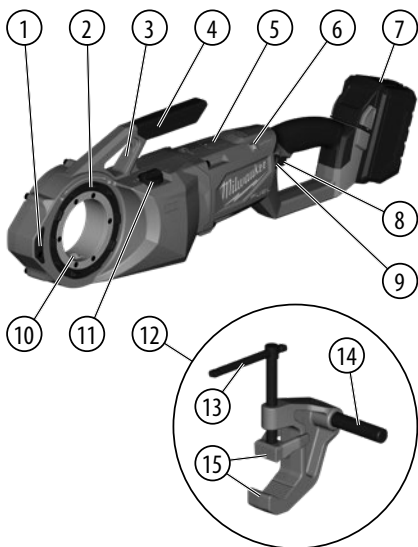
De angitte vibrasjonseksposering- og støynivåverdiene har blitt målt i samsvar med standardiserte målemetoder jmfør EN 62841 og kan brukes til å sammenligne et verktøy med et annet. De kan brukes til en foreløpig eksponeringsvurdering.

De angitte vibrasjonseksposering- og støyemisjonsverdiene gjelder for vanlig bruk av verktøyet. Dersom verktøyet blir brukt til noe annet, sammen med annet utstyr eller er dårlig vedlikeholdt kan de angitte vibrasjonseksposering- og støyeverdiene variere. Dette kan øke eksponerings- og emisjonsverdiene betraktelig for hele perioden du bruker verktøyet.

Når en vurderer vibrasjonseksposeringsnivået og støyeverdi må en inkludere den perioden som verktøyet er slått av eller når verktøyet går, men ikke direkte brukes til noe. Dette kan redusere eksponeringsnivået betraktelig over hele perioden som verktøyet er i bruk.

Det er viktig å etablere ytterligere sikkerhetstiltak for å beskytte brukeren mot påvirkning av vibrasjon og/eller støy, slik som: vedlikehold av verktøyet og tilleggsutstyr, hold hendene varme, organiserte arbeidsrutiner.

Bruk hørselsvern. Støy kan føre til tap av hørselen.



Nor

Beskrivelse av verktøyet

- | | |
|-------------------------------|---------------------|
| ① Sidegrep | ⑨ Reguleringsbryter |
| ② Gjengebakkens låsering | ⑩ Momentoverføring |
| ③ Støttestpunkt for armstøtte | ⑪ Hastighetsvelger |
| ④ Bærehåndtak | ⑫ Støtteklemme |
| ⑤ Engangsbatteri | ⑬ Tilstrammingsarm |
| ⑥ ONE KEY-viser | ⑭ Støttearm |
| ⑦ Batteriet | ⑮ Kjever |
| ⑧ Starter | |

⚠ ADVARSEL

Les alle sikkerhetsanvisninger, instruksjoner, bildeforklaringer og data som fulgte med maskinen. Hvis du ikke følger følgende anvisninger, kan det oppstå elektriske støt, ild og/eller store skader.

Ta godt vare på alle advarslene og informasjonene.

⚠ SIKKERHETSREGLER FOR RØRGJENGEKJÆRER

- Brak alltid støtteenheten som følger med verktøyet. Tap av kontroll under drift kan medføre personskade.
- Hold ermer og jakker kneppet igjen mens du bruker verktøyet. Ikke strekk deg over verktøyet eller røret. Klær kan fanges opp av røret eller verktøyet, noe som resulterer i at man setter seg fast.
- Bare én person kan kontrollere arbeidsprosessen og verktøydriiften. Dersom flere personer er involvert i prosessen kan det medføre utilsikket drift og personskade.
- Hold gulvene tørre og fri for glatte materialer som olje. Glatte gulv kan lett føre til ulykker.

Ytterlige sikkerhets- og arbeidsinstruksjoner

- Når du gjenger eller drar gjengebakken av røret, må du holde verktøyet godt for å motstå krefter uavhengig av støtteenheten som brukes. Dette vil redusere risikoen for slag, knusing og andre skader.

- Ikke bruk gjengebakker som viser tegn på slitasje, sløvet eller skade. Skarpe skjæreverktøy krever mindre dreiemoment, og verktøyet er lettere å kontrollere.

• Bruk bare:

- Rems Quick change 1/8" ... 2" (med adapterringer)
- Rothenberger Gjengebakke 1/4" ... 2" (med adapterringer)
- Ridgid 11-R 1/4" ... 2" (med adapterringer)
- Ridgid 12-R

• Ikke oppbevar gjengebakker i verktøy for å forhindre slitasje der metall gnisser mot metall.

- Du må alltid bruke sunn fornuft og være forsiktig når du bruker verktøyet.** Det er ikke mulig å forutse alle situasjoner som kan ha en farlig utgang. Ikke bruk verktøyet dersom du ikke forstår denne bruksanvisningen eller føler at arbeidet er mer enn du er i stand til å håndtere. Ta kontakt med Milwaukee Tool eller en utdannet fagperson for mer informasjon eller opplæring.

- Etiketter og typeskild skal ikke fjernes.** Disse skiltene inneholder viktige informasjon. Dersom disse skiltene ikke lengre kan leses eller mangler så ta kontakt med MILWAUKEE-Kundeservice for å få tilsendt gratis nye skilt.

⚠ ADVARSEL

Støv fra elektrisk pussing, saging, sliping eller andre byggeaktiviteter kan inneholde kjemikalier som er kjent for å fremme kreft, fødselskader eller forplantningsskader. Noen eksempler på disse kjemikaliene er:

- bly fra blybasert maling
- krystallinsk kiseltsyre fra mursteiner og andre murprodukter, og
- arsenikk og krom fra kjemisk behandlet tømmer.

Risikoen av eksponering til disse varierer avhengig av hvor ofte du utfører denne type arbeid. For å redusere eksponeringen for disse kjemikaliene bør du: arbeide i rom med god ventilasjon, arbeide med godkjent sikkerhetsutstyr, slik som støvmasker som er ekstra designet for å filtrere ut mikroskopiske partikler.

FORMÅLSMESSIG BRUK

Dette verktøyet er spesifisert for å skjære rørgjenger og boltgjenger for høyre- og venstregjenger opptil 2" størrelse. Annen bruk som ikke er til det tiltenkte formålet er forbudt.

MONTASJE

⚠ ADVARSEL

Bruk bare tilbehør som er spesifikt anbefalt for dette verktøyet. Annet tilbehør kan være farlig.

Installere / fjerne gjengebakker

Gjengebakken kan settes inn fra begge sider av verktøyet. Gjengebakken/adapteren må settes inn fra riktig side av verktøyet.

- Fjern batteripakken.
- Monter gjengebakkene/adapterne som vist
- Sjekk alltid at gjengebakken er låst i verktøyet før du starter å skjære.
- For å fjerne det, låser du opp gjengebakkens låsering og trekker gjengebakken fra verktøyet.

Norsk

BRUK

Motstå gjengekrefter

Bruk alltid støtteenheten som følger med verktøyet. Støttearmen klemmer seg til røret og bidrar til å motstå gjengekreftene.

ADVARSEL! Tap av kontroll under drift kan medføre personskaide.

Velge hastighet

Hastighetsvelgeren er på toppen av huset. La verktøyet stoppe helt før du endrer hastighet.

Bruke kontrollbryteren

Kontrollbryteren kan settes i tre posisjoner: med klokken, mot klokken og låst. La alltid motoren stoppe helt før du bruker kontrollbryteren.

Før å rotere med klokken, trykk inn kontrollbryteren fra venstre side av verktøyet. **Kontroller rotasjonsretningen før bruk. Denne rotasjonen vil gi høyregjenger når gjengebakken settes inn fra venstre (front) side av verktøyet.**

Før å rotere mot klokken, trykk inn kontrollbryteren fra høyre side av verktøyet. **Kontroller rotasjonsretningen før bruk. Denne rotasjonen vil gi høyregjenger når gjengebakken settes inn fra høyre (bak) side av verktøyet.**

Lås alltid utløseren eller ta ut batteripakken før du utfører vedlikehold, bytter tilbehør, oppbevarer verktøyet og når verktøyet ikke er i bruk.

Gjenging

Klargjør røret på riktig måte. Forsikre deg om at røret er kuttet rett og avgradert. Å skjære røret i en vinkel kan skade gjengebakkene under gjenging, og kan føre til vansker med å bringe gjengehode til å gripe. Røret må være stabilt og sikret for å forhindre tipping under bruk. Bruk passende rørstativ for å støtte rørlengden.

ADVARSEL! Ikke bruk smykker, løstsittende klær eller en fille mens du bruker verktøyet. Ikke bruk hansker som er utsatt for å feste seg mens du skyver på eller er i nærheten av bevegelige deler; dette øker risikoen for sammenfiltring og personskaide. Når gjengebakkene bringer røret i inngrep, vil gjenger bli skåret når gjengebakkene trekker seg mot enden av røret.

ADVARSEL! Hold alltid verktøyet godt fast for å motstå verktøykreftene. Støtteenheter kan i sjeldne tilfeller gli og la verktøyet bevege seg.

Bruk en oljekanne til å påføre en sjeners mengde gjengeskjærende olje til området. Dette vil senke det nødvendige gjengemomentet, forbedre gjengekvaliteten og øke levetiden til gjengebakken.

ADVARSEL! Avskåret materiale kan være skarpt. Rengjør oljesøl for å opprettholde et trygt arbeidsmiljø.

For venstregjenger, snu valgene med eller mot urviseren.

Inspisere gjenger/bruke en ringmåler

1. Tørk av olje, flis eller rusk fra gjengen.
2. Inspisere gjengen. Gjengene skal være glatte, komplette og i god stand. Hvis det oppdages uregelmessigheter som avrevne gjenger, tynne gjenger eller urunde rør, kan det hende at gjenger ikke tetter.

3. For å kontrollere størrelsen på gjengen med en ringmåler, gjeng måleren på røret og stram med hånden. Enden av røret skal være i flukt med siden av måleren (pluss eller minus én omdreining). Hvis gjengen ikke måler ordentlig, skjær av gjengen, juster gjengebakken og skjær en annen gjenge. **ADVARSEL!** Hvis du bruker en gjenge som ikke måler ordentlig, kan det oppstå lekkasjer.

VEDLIKEHOLD

Ta ut vekselbatteriet før du arbeider på maskinen

Åpne aldri rørgjengeskjæreren, det uttakbare batteriet eller laderen.

Undersøk rørgjengeskjæreren for eventuelle problemer som støy eller fastkjøring av bevegelige deler som kan påvirke verktøyet.

Kontroller at kutteverktøyet ikke har hakk eller andre tegn til slitasje.

Tørk vekk smuss og produktrester fra åpningene. Sørg for at håndtaket er rent, tørt og ikke har rester av olje eller smøring. Når du vasker verktøyet, må du kun bruke mild såpe og en fuktig klut, ettersom visse rengjøringsmidler kan ødelegge plastikken og andre isolerende deler. Noen av midlene kan inneholde bensin, terpentin, lakkfortynnere, malingsfortynnere, klorholdige rengjøringsmidler, ammoniakk og husholdningsvaskemidler som inneholder ammoniakk. Bruk aldri brannfarlige eller brennbare løsemidler i nærheten av verktøyet.

Kontroller at gjengebakkene er skarpe, og skift alltid ut slitte gjengebakkener som et komplett sett.

Skift skivene dersom det har fått hakk eller er blitt ødelagt.

Skift alltid ut gjengebakkener som et komplett sett.

Før å forebygge skader eller ødeleggelseer dypp aldri verktøyet, det eksterne batteriet eller laderen i væske eller la væske trenge inn i noen av delene.

Hold alltid luftpåpningene på maskinen rene.

Ytterligere vedlikehold og reparasjoner skal kun utføres av autoriserte spesialistverksteder.

Bruk kun Milwaukee tilbehør og Milwaukee reservedeler. Komponenter der utskiftning ikke er beskrevet skal skiftes ut hos Milwaukee kundeservice (se brosjyre garanti/kundeserviceadresser).

Ved behov kan du be om en eksplosjonstegning av apparatet hos din kundeservice eller direkte hos Techtronic Industries GmbH, Max-Eyth-Straße 10, 71364 Winnenden, Germany. Oppgi maskintype og det nummeret på typeskiltet.

ONE-KEY™

Mer informasjon om ONE-KEY funksjonaliteten for denne enheten finner du i Quick Start guiden som er vedlagt dette produktet eller gå til <http://www.milwaukee.com/one-key>

Du kan også laste ned vår ONE-Key app til din smarttelefon fra App Store eller Google Play.

Testen oppfyller våre minimumskrav i henhold til EN 301 489-1 / EN 301 489-17. Og vi kommer til å gi kunden en driftsveiledning i bruksanvisningen.



Nor

BATTERIER

Vekselbatterier som ikke er brukt over lengre tid skal etterlades før bruk.

En temperatur over 50°C reduserer vekselbatteriets kapasitet. Unngå oppvarming i sol eller ved varmeovner (fyring) i lengre tid. Hold tilkoplingskontaktene på lader og vekselbatteri rene.

For optimal holdbarhet må batteriene lades opp helt etter bruk.

For å sikre en lengst mulig brukstid av batteriene skal disse etter oppladning taes ut av laderen.

Ved lagring av batteriene lengre enn 30 dager:

Lagre batteriet tørt ved ca. 27°C.

Lagre batteriet ved en oppladningstilstand på ca. 30%-50%.

Lade opp batteriet igjen etter 6 måneder.

Metaldeler må ikke komme inn i innskyvningssjakten for vekselbatterier på ladere (kortslutningsfare).

OVERBELASTNINGSVERN FOR OPPLADBARE BATTERIER

Ved overbelastning av det oppladbare batteriet p.g.a. svært høy strømførbruk, for eksempel ved ekstrem høye dreiemoment, fastklemming av boret, plusselig stopp eller kortslutning, brummer elektroverktøyet 2 sekunder og slår seg så automatisk av.

TRANSPORT AV LITIUM-ION-BATTERI

Litium-ion-batterier faller under de lovfestede forskriftene om transport av farlig gods.

Transporten av disse batteriene må rette seg etter lokale, nasjonale og internasjonale forskrifter og bestemmelser.

Forbruker har lov å transportere disse batteriene på gaten uten reglementering.

Den kommersielle transport av Litium-ion-batterier av spedisjonsfirma faller under bestemmelsene om transport av farlig gods. Forberedningene av forsendelsen og transport skal utelukkende gjennomføres av personer som har blitt skolert til dette. Hele prosessen skal følges opp av fagfolk.

Følgende punkter skal tas hensyn til ved transport:

Kontroller at kontaktene er beskyttet og isolert for å unngå kortslutninger. Pass på at batteripakken i forpakningen ikke kan skli fram og tilbake. Skadede eller batterier som lekker er det ikke lov å transportere. Ta kontakt med spedisjonsfirma for ytterligere henvisninger.

CE-SAMSVARSERKLÆRING

Vi erklærer i alene ansvar at produktet beskrevet i „Teknisk data“ overensstemmer med alle relevante forskrifter til Eu direktiv

2011/65/EU (RoHS)

2006/42/EC

2014/53/ EU

og de følgende harmoniserte normative dokumentene, fyrstikker

EN 62841-1:2015

EN 62841-2-9:2015

EN 55014-1:2017+A11:2020

EN 55014-2:2015

EN 301 489-1 V2.2.3

EN 301 489-17 V3.1.1

EN 300 328 V2.2.2

EN 62479:2010

EN IEC 63000:2018



Winnenden, 2020-11-09

Alexander Krug / Managing Director

Autorisert til å utarbeide den tekniske dokumentasjonen

Techtronic Industries GmbH

Max-Eyth-Straße 10, 71364 Winnenden, Germany



Nor

SYMBOLER



OBS! ADVARSEL! FARE!



Ta ut vekselbatteriet før du arbeider på maskinen



Hold hendene borte fra bevegelige deler.



Les nøye gjennom bruksanvisningen før maskinen tas i bruk.



Bruk alltid vernebrille når du arbeider med maskinen.



Bruk alltid støttearmen.



Bruk alltid skinnhansker.



Apparatet bruker knapp/myntcelle lithiumbatteri.



Spenning



Likestrøm



Elektriske apparater, batterier/oppladbare batterier skal ikke kastes sammen med vanlig husholdningsavfall. Elektriske og elektroniske apparater og oppladbare batterier skal samles separat og leveres til miljøvennlig deponering hos en avfallsbedrift. Informer deg hos myndighetene på stedet eller hos din fagforhandler hvor det finnes recycling bedrifter og oppsamlingssteder.



Europeisk samsvarsmerke



Britisk samsvarsmerke



001

Ukrainsk samsvarsmerke



Euroasiatisk samsvarsmerke



Nor

TEKNISKA DATA Rörgängningsmaskin	M18 FPT2
Produktionsnummer	4773 51 01 000001-999999
Bluetooth-frekvensband	2402 - 2480 MHz
Högfrekvenseffekt	1,8 dBm
Bluetooth-Version	4.0 BT signal mode
Akkumulorteknik	Li-Ion
Batterispänning	18 V
Märkvarvtal	
1. Växel	0 min ⁻¹ ... 29 min ⁻¹
2. Växel	0 min ⁻¹ ... 41 min ⁻¹
Kapacitet	
1. Växel	1 1/2" ... 2" 32 mm ... 50 mm
2. Växel	1/8" ... 1 1/4" 3 mm ... 30 mm
Gånghuvuden	Ridgid 12-R
Vikt enligt EPTA 01/2014 (Li-Ion 2.0 Ah ... 12.0 Ah)	10,54 kg ... 11,60 kg
Rekommenderad omgivningstemperatur för driften	-18 °C ... +50 °C
Rekommenderade batterier (Akkupacks)	M18B... min. 6.0 Ah M18HB...
Rekommenderade laddare	M12-18..., M1418C6
Bullerinformation	
Mätvärdena har tagits fram baserade på EN 62841. A-värdet av maskinens ljudnivå utgör:	
Ljudtrycksnivå (Onoggrannhet K=3dB(A))	74,2 dB(A)
Ljudeffektsnivå (Onoggrannhet K=3dB(A))	85,2 dB(A)
Använd hörselskydd!	
Vibrationsinformation	
Totala vibrationsvärden (vektorsumma ur tre riktningar) framtaget enligt EN 62841.	
Vibrationsemissionsvärde a _{hmax}	1,6 m/s ²
Onoggrannhet K=	1,5 m/s ²



VARNING!

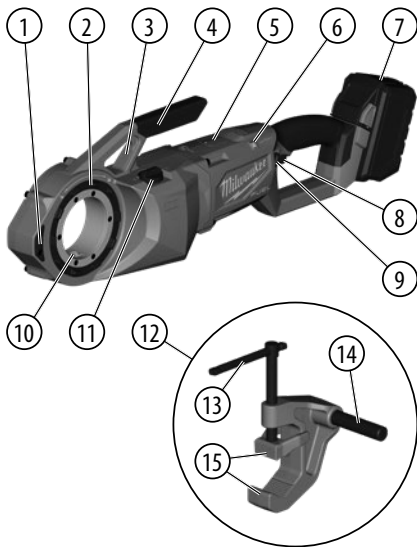
De deklarerade vibrations- och bullernivåerna på detta informationsblad har uppmätts i enlighet med en standardiserad testmetod enligt EN 62841 och kan användas för att jämföra ett verktyg med ett annat. Det kan användas för en preliminär bedömning av exponeringen.

Den angivna vibrations- och bullernivån representerar verktygets huvudsakliga tillämpningar. Om verktyget emellertid används för olika tillämpningar, med olika eller dåligt underhållna tillbehör, kan vibrations- och bullerutsläppet variera. Detta kan öka exponeringsnivån avsevärt över den totala arbetsperioden.

En uppskattning av exponeringsnivån för vibrationer och buller bör även ta hänsyn till de tider då verktyget är avstängt eller när det körs utan att faktiskt arbeta. Detta kan avsevärt minska exponeringsnivån över den totala arbetsperioden.

Identifiera ytterligare säkerhetsåtgärder för att skydda operatören mot effekterna av vibrationer och/eller buller såsom: underhåll av verktyget och tillbehören, hålla händerna varma, organisation av arbetsmönster.

Bär hörselskydd. Buller kan leda till att du förlorar hörseln.



Enhetsbeskrivning

- | | |
|---------------------|---------------------|
| ① Sidohandtag | ⑨ Manöverbrytare |
| ② Gånghuvud läsring | ⑩ Momentöverföring |
| ③ Stödarm stödpoint | ⑪ Hastighetsväljare |
| ④ Bärhandtag | ⑫ Stödclammer |
| ⑤ Internt batteri | ⑬ Spännarm |
| ⑥ ONE KEY indikator | ⑭ Stödarm |
| ⑦ Batteripack | ⑮ Chuckar |
| ⑧ Avtryckare | |

VARNING

Läs alla säkerhetsanvisningar, instruktioner, beskrivningar och uppgifter som du får tillsammans med apparaten. Om nedanstående anvisningar ignoreras finns risk för att elstöt, brand och/eller allvarliga personskador uppstår.
Förvara alla varningar och anvisningar för framtida bruk.

SÄKERHETSINFORMATION FÖR RÖRGÄNGNINGSMASKINER

- Använd alltid den stödordning som följer med verktyget. Förlust av kontroll vid drift kan leda till personskada.
- Håll ärmarna och jackorna knäppta medan du använder verktyget. Räck inte över verktyget eller röret. Kläder kan fångas upp av röret eller verktyget, vilket kan leda till intrasslande.
- Endast en person får styra arbetsprocessen och verktygets drift. Om ytterligare personer är inblandade i processen kan det leda till oavsiktlig användning och personskada.
- Håll golven torra och fria från hala material som olja. Hala golv leder till olyckor.

Övriga säkerhets- och användningsinstruktioner

- Håll hårt i verktyget för att motstå krafter oberoende av den stödordning som används när du gångar eller stöttar gånghuvudet på röret. Detta minskar risken för slag, krossning och andra personskador.

- Använd inte gängsnitt som visar tecken på slitage, trubbighet eller skador. Skarpa skärverktyg kräver mindre vridmoment och verktyget är lättare att kontrollera.
- Får endast användas för:**
 - Rems Quick change 1/8" ... 2" (med adapterringar)
 - Rothenberger Gånghuvuden 1/4" ... 2" (med adapterringar)
 - Ridgid 11-R 1/4" ... 2" (med adapterringar)
 - Ridgid 12-R
- Förvara inte gånghuvudena i verktyget för att förhindra slitage på grund av metall på metall.**
- Använd alltid sunt förnuft och var försiktig när du använder verktyg.** Det är inte möjligt att förutse alla situationer som kan leda till ett farligt resultat. Använd inte det här verktyget om du inte förstår den här bruksanvisningen eller om du känner att arbetet går utöver din förmåga. Kontakta Milwaukee Tool eller en utbildad fackman för ytterligare information eller utbildning.
- Ta inte bort dekaler eller typskyltar.** Dessa skyltar innehåller viktig information. Om dessa skyltar inte längre är läsbara eller saknas, kontakta MILWAUKEE-kundtjänst för att få nya utan kostnad.

VARNING

En del typer av damm som skapas vid eldriven avslipning, sågning, slipning och borrar och annan byggverksamhet, innehåller kemikalier som man vet orsakar cancer, medfödda missbildningar eller andra reproduktionskador. Sådana kemikalier är till exempel

- bly från blybaserad målarfärg
- kristallin kvarts från tegelstenar, cement och andra murverksprodukter
- arsenik och krom från kemiskt behandlat byggnadsvirke.

De risker som din exponering för sådant damm medför, beror på hur ofta du utför den här typen av arbete. För att minska din exponering för dessa kemikalier är det viktigt att du arbetar i ett väl ventilerat utrymme och använder godkänd säkerhetsutrustning, som till exempel en dammfiltermask som är speciellt konstruerad för att filtrera bort mikroskopiska partiklar.

ANVÄND MASKINEN ENLIGT ANVISNINGARNA

Detta verktyg är specificerat för skärning av rörgångar och bultgångar för höger- och vänstergångar upp till storlek 2 tum. Andra användningar som inte är ändamålsenliga är förbjudna.

MONTERING

- ### VARNING
- Använd endast tillbehör som specifikt rekommenderas för detta verktyg. Andra tillbehör kan vara farliga.

Installering/borttagning av gånghuvuden

Gånghuvudet kan sättas in från verktygets båda sidor. Gånghuvudet/adaptorn måste sättas in från den korrekta sidan på verktyget.

- Ta bort batteripack.
- Montera gånghuvudena/adaptorna enligt bilden
- Kontrollera alltid att gånghuvudet är låst i verktyget innan du börjar skära.



4. För borttagning ska gånghuvudets låsring låsas upp och gånghuvudet dras av från verktyget.

DRIFT

Stå emot gångrakter

Använd alltid den stödanordning som följer med verktyget. Stödarmen kläms fast vid röret och hjälper till att motstå gångrakterna.

WARNING! Förlust av kontroll vid drift kan leda till personskada.

Välja hastighet

Hastighetsväljaren befinner sig ovanpå kåpan. Låt verktyget stanna helt innan du ändrar hastigheten.

Användning av manöverbrytare

Manöverbrytaren kan ställas in på tre lägen: medurs, moturs och låst. Låt alltid motorn stanna helt innan du använder manöverbrytaren.

För rotation medurs ska manöverbrytaren tryckas in från verktygets vänstra sida. **Kontrollera rotationsriktningen före användningen. Denna rotation kommer att producera högergång om gånghuvudet sätts in från verktygets vänstra (fram)sida.**

För rotation moturs ska manöverbrytaren tryckas in från verktygets högra sida. **Kontrollera rotationsriktningen före användningen. Denna rotation kommer att producera högergång om gånghuvudet sätts in från verktygets högra (bak)sida.**

Lås alltid på-/av-knappen eller ta ut batteripaketet innan du utför underhåll, byter tillbehör, förvarar eller inte använder verktyget.

Gängskärning

Förbered röret ordentligt. Förvissa dig om att röret har kapats rakt och avgradats. Snett kapade rör kan skada huvudena under gängning och orsaka svårigheter vid inkoppling av gånghuvudet. Röret måste vara stabilt och säkrat för att förhindra tippling under användning. Använd lämpliga rörstativ som stöd för rörlängden.

WARNING! Bär inga smycken, löst sittande kläder och använd ingen trasa när du arbetar med verktyget. Bär inte handskar som är benägna att fastna när du trycker på rörliga delar eller arbetar i närheten av dessa; detta ökar risken för intrassling och personskada. När huvudena griper in i röret kommer gångorna att kapas när huvudena drar sig själva mot änden av röret.

WARNING! Håll alltid fast verktyget för att motstå verktygskrafterna. Stödanordningar kan i sällsynta fall glida och tillåter då att verktyget flyttar sig.

Använd en smörjare för att applicera en generös mängd av gängskärningssolja på området. Detta sänker det nödvändiga gängmomentet, förbättrar gängkvaliteten och ökar huvudets livslängd.

WARNING! Skärspån kan vara vassa. Städa upp efter oljespill för att upprätthålla en säker arbetsmiljö.

För vänstergångor ska man vända på valen medurs/moturs.

Inspektion av gängor med hjälp av ett ringmått

1. Torka bort all olja, spånfall eller smuts från gängan.
2. Inspektera gängan. Gångor ska vara släta, fullständiga och ha en bra form. Om det förekommer oegentligheter som sprickor i gängan, tunna gängor eller rör som är orunda, kan gängan eventuellt inte hålla tätt.

3. För att kontrollera gängans storlek med ett ringmått, ska ringmättet föras på röret och dras åt för hand. Rørets ände ska vara i jämnhöjd med mättsida (plus eller minus ett varv). Om gängan inte mäts ordentligt, kapa av gängan, justera gånghuvudet och kapa en annan gänga. **WARNING!** Att använda en gänga som inte mäts ordentligt kan orsaka läckor.

SKÖTSEL

Drag ur batteripaketet innan arbete utföres på maskinen.

Öppna aldrig rörgängningsmaskinen, det löstagbara batteriet eller laddaren.

Kontrollera rörgängningsmaskinen med avseende på eventuella problem såsom oljud eller rörliga delar som fastnar vilket kan påverka verktyget.

Kontrollera skärverktygen för sprickor och andra tecken på slitage.

Rensa bort damm och skräp från öppningar. Håll handtaget rent, torrt och fritt från olja eller fett. Använd bara mild tvål och en fuktig trasa för rengöring, eftersom vissa rengöringsmedel och lösningsmedel för rengöring är skadliga för plaster och andra isolerade delar. Till dessa hör bland annat bensin, terpentin, förtunningsmedel för färger och lacker, klorerade lösningsmedel för rengöring, ammoniak och hushållsrengöringsmedel som innehåller ammoniak. Använd aldrig lättantändliga eller brännbara lösningsmedel i närheten av verktyg.

Kontrollera att skärinsatserna är vassa och byt alltid ut slitna skärinsatser som kompletta set.

Ersätt skärinsatserna när de har sprickor eller har skadats.

Byt alltid ut skärinsatserna som ett komplett set.

För att undvika person- eller materialskador doppa aldrig verktyget, det löstagbara batteriet eller laddaren i vätska och låt inte vätska penetrera dessa.

Se till att motorhöljets luftslitsar är rena.

Andra underhållsarbeten och reparationer får endast utföras av auktoriserade specialverkstäder.

Använd endast Milwaukee-tillbehör och Milwaukee-reservdelar. Komponenter, för vilka inget byte beskrivs, skall bytas ut hos Milwaukee-kundtjänst (se broschyren garanti-/kundtjänstadresser).

Vid behov av sprängskiss, kan en sådan, genom att uppge maskinens art. nr. (som finns på typskylten) erhållas från: Techtronic Industries GmbH, Max-Eyth-Straße 10, 71364 Winnenden, Germany.

ONE-KEY™

För att ta reda på mer om ONE-KEY funktionaliteten på denna utrustning, läs medföljande snabbstartsguide eller besök <http://www.milwaukeetool.com/one-key>

Du kan ladda ner ONE-KEY-appen till din smarttelefon via App Store eller Google Play.

Provresultatet uppfyller våra minimikrav enligt EN 301 489-1 / EN 301 489-17. Och vi kommer att ge kunden en handledning för drift i bruksanvisningen.

BATTERIER

Batterier som ej använts på länge måste laddas före nytt bruk.

En temperatur över 50°C reducerar batteriets effekt. Undvik längre uppvärmning tex i solen eller nära ett element.

Se till att anslutningskontaktarna i laddaren och på batteriet är rena.

För att batterierna ska få lång livslängd ska de laddas fulla efter användning.

För att få en så lång livslängd som möjligt bör laddningsbara batterier avlägsnas från laddaren när de är laddade.

Om laddningsbara batterier lagras längre än 30 dagar:

Lagra batteriet torrt och vid ca 27°C.

Lagra batteriet vid ca 30%-50% av laddningskapaciteten.

Ladda batterierna på nytt var 6:e månad.

Se upp så att inga metallföremål hamnar i laddarens batterischakt, kortslutning kan uppstå.

BATTERI-ÖVERBELASTNINGSSKYDD

Om det uppladdningsbara batteriet överbelastas på grund av mycket hög strömförbrukning, till exempel vid extremt höga vridmoment, fastklämning av borret, plötsligt stopp eller kortslutning, brummar elverkytget i 2 sekunder och stängs sedan av automatiskt.

TRANSPORTERA LITIJUMJON-BATTERIER

För litiumjon-batterier gäller de lagliga föreskrifterna för transport av farligt gods på väg.

Därför får dessa batterier endast transporteras enligt gällande lokala, nationella och internationella föreskrifter och bestämmelser.

Konsumenter får transportera dessa batterier på allmän väg utan att behöva beakta särskilda föreskrifter.

För kommersiell transport av litiumjon-batterier genom en speditiönsfirma gäller emellertid bestämmelserna för transport av farligt gods på väg. Endast personal som känner till alla tillämpliga föreskrifter och bestämmelser får förbereda och genomföra transporten. Hela processen ska följas upp på fackmässigt sätt.

Följande ska beaktas i samband med transporten av batterier:

Säkerställ att alla kontakter är skyddade och isolerade för att undvika kortslutning. Se till att batteripacken inte kan glida fram och tillbaka i förpackningen. Transportera aldrig batterier som läcker, har runnit ut eller är skadade. För mer information vänligen kontakta din speditiönsfirma.

CE-FÖRSÄKRAN

Vi tar på vårt ansvar att produkten som har beskrivits under Tekniska data uppfyller alla relevanta villkor i direktiven

2011/65/EU (RoHS)

2006/42/EG

2014/53/EU

samt att följande harmoniserade standarder har använts

EN 62841-1:2015

EN 62841-2-9:2015

EN 55014-1:2017+A11:2020

EN 55014-2:2015

EN 301 489-1 V2.2.3

EN 301 489-17 V3.1.1

EN 300 328 V2.2.2

EN 62479:2010

EN IEC 63000:2018



Winnenden, 2020-11-09

Alexander Krug / Managing Director

Befullmäktigad att sammanställa teknisk dokumentation.

Techtronic Industries GmbH

Max-Eyth-Straße 10, 71364 Winnenden, Germany



SYMBOLER



OBSERVERA! VARNING! FARA!



Drag ur batteripaket innan arbete utföres på maskinen.



Håll händerna borta från rörliga delar.



Läs instruktionen noga innan du startar maskinen.



Använd alltid skyddsglasögon.



Stödarm måste alltid användas.



Bär alltid läderhandskar.



Denna anordning innehåller ett litium knappcells batteri.



Spänning



Likström



Elektriska maskiner, batterier/uppladdningsbara batterier och får inte slängas tillsammans med de vanliga hushållsoporna. Elektriska maskiner och uppladdningsbara batterier ska samlas separat och lämnas till en avfallsstation för miljövänlig avfallshantering. Kontakta den lokala myndigheten respektive kommunen eller fråga återförsäljare var det finns speciella avfallsstationer för elskrot.



Europeiskt konformitetsmärke



Britiskt konformitetsmärke



Ukrainskt konformitetsmärke



Euroasiatiskt konformitetsmärke



TEKNISET ARVOT Putken kierteityskone	M18 FPT2
Tuotantnumero	4773 51 01 000001-999999
Bluetooth-taajuus (taajuudet)	2402 - 2480 MHz
Suurin suurtaajuusteho	1,8 dBm
Bluetooth-versio	4.0 BT signal mode
Akkuteknologia	Li-Ion
Jännite vaihtoakku	18 V
Nimellinen kierrosluku 1. vaihde 2. vaihde	0 min ⁻¹ ... 29 min ⁻¹ 0 min ⁻¹ ... 41 min ⁻¹
Kapasiteetti 1. vaihde 2. vaihde	1 1/2" ... 2" 32 mm ... 50 mm 1/8" ... 1 1/4" 3 mm ... 30 mm
Kierrepää	Ridgid 12-R
Paino EPTA-menetelyn 01/2014 mukaan (Li-Ion 2.0 Ah ... 12.0 Ah)	10,54 kg ... 11,60 kg
Suosittelun ympäristön lämpötila käytön aikana	-18 °C ... +50 °C
Suosittelut akkusarjat	M18B... min. 6.0 Ah M18HB...
Suosittelut latauslaitteet	M12-18..., M1418C6
Melupäästötiedot Mitta-arvot määritetty EN 62841 mukaan. Koneen tyypillinen A-luokitettu melutaso:	
Melutaso (Epävarmuus K=3dB(A))	74,2 dB(A)
Äänenvoimakkuus (Epävarmuus K=3dB(A))	85,2 dB(A)
Käytä kuulosuojaimia!	
Tärinätiedot Värähtelyn yhteisarvot (kolmen suunnan vektorisummitattuna EN 62841 mukaan).	
Värähtelyemissioarvo a _{hmax}	1,6 m/s ²
Epävarmuus K=	1,5 m/s ²



VAROITUS!

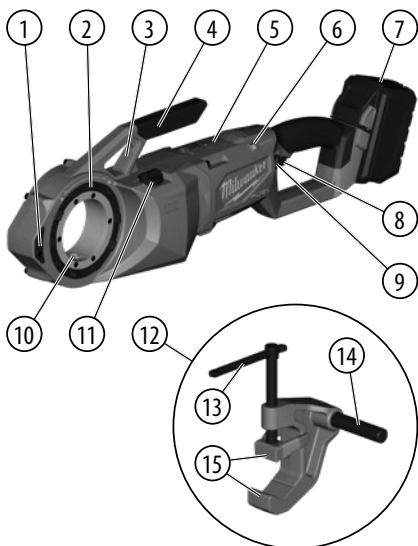
Tässä tiedotteessa ilmoitettu (ilmoitetut) värinä- ja melupäästöarvo(t) on mitattu standardisoidulla testimenetelmällä SFS-EN 62841 mukaisesti ja sitä voidaan käyttää työkalun vertailemiseen toisen työkalun kanssa. Sitä voidaan käyttää alustavaan altistuksen arviointiin.

Ilmoitettu värinä- ja melupäästöarvo koskee työkalun pääkäyttötarkoituksia. Jos kuitenkin työkalua käytetään eri käyttötarkoituksiin eri varusteiden kanssa tai huonosti huollettuna, voi värinä- ja melupäästö erota ilmoitetusta. Tämä voi merkittävästi nostaa altistumistasoa koko työskentelyjakson ajaksi.

Arvioidussa värinä- ja meluallistustasossa tulisi ottaa huomioon myös työkalun sammutuskerrat tai sen tyhjäkäynti. Tämä voi merkittävästi laskea altistumistasoa koko työskentelyjakson ajaksi.

Tunnista esimerkiksi seuraavat lisävarotoimet, joilla voidaan suojata käyttäjää värinän ja/tai melun vaikutuksilta: työkalun ja varusteiden ylläpito, käsien lämpimänä pito, työnkulun organisointi.

Käytä korvasuojia. Melulle altistuminen voi heikentää kuuloa.



Laitteen kuvaus

- | | |
|-----------------------------|-------------------------|
| ① Sivukahva | ⑨ Ohjauskytkin |
| ② Kierrepään lukkorengas | ⑩ Vääntömomentin siirto |
| ③ Tukivarren kiinnityskohta | ⑪ Nopeuden valitsin |
| ④ Kantokahva | ⑫ Tukipuristin |
| ⑤ Sisäinen paristo | ⑬ Kiristysvarsi |
| ⑥ ONE KEY -merkkivalo | ⑭ Tukivarsi |
| ⑦ Akku | ⑮ Leuat |
| ⑧ Liipaisin | |

VAROITUS

Lue kaikki varoitoimenpiteet, ohjeet, kuvalliset esitykset ja tiedot, jotka toimitetaan laitteen mukana. Ellet noudata seuraavia ohjeita, saattaa se johtaa sähköiskuun, tulipaloon ja/tai vaikeisiin loukkaantumisiin.

Säilytä kaikki turvallisuus- ja muut ohjeet tulevaisuutta varten.

PUTKEN KIERTEITYSKONEEN TURVALLISUUSOHJEET

- Käytä aina työkalun mukana toimitettua tukilaitetta. Hallinnan menettäminen käytön aikana voi aiheuttaa henkilövahinkoja.
- Pidä hihat ja takit kiinni napitettuna työkalun käytön aikana. Älä kurota työkalun tai putken yli. Vaatteet voivat jäädä kiinni putkeen tai työkaluun, mikä voi aiheuttaa niiden kietoutumisen.
- Vain yhden henkilön tulee vastata työprosessista ja työkalun käytöstä. Jos prosessiin osallistuu muita ihmisiä, tämä voi aiheuttaa tahatonta käyttöä ja henkilövahinkoja.
- Pidä lattiat kuivina ja puhtaina liukkaista materiaaleista kuten öljystä. Liukkaat lattiat aiheuttavat onnettomuuksien vaaran.

Täydentäviä turvallisuusmääräyksiä ja työskentelyohjeita

- Pidä työkalusta tukevasti kiinni kierteityksen aikana tai peruutettaessa kierrepäätä pois putkesta kierteitysovoimien kumoamiseksi tukilaitteen käytöstä huolimatta. Tämä vähentää isku-, puristumis- ja muiden vammojen vaaraa.
- Älä käytä teriä, jotka näyttävät kuluneilta, tylsilältä tai vioittuneilta. Terävät leikkuutyökalut vaativat vähemmän vääntövoimaa, ja työkalua on helpompi hallita.

Käytä vain seuraavia:

- Rems Quick change 1/8" ... 2" (adapterirenkailla)
- Rothenberger Kierrepäät 1/4" ... 2" (adapterirenkailla)
- Ridgid 11-R 1/4" ... 2" (adapterirenkailla)
- Ridgid 12-R

Älä säilytä kierrepäitä työkalussa, jotta metalliosat eivät kulu toisiaan vasten.

Käytä aina maalaisjärkeä ja ole varovainen työkaluja käyttäessäsi. Jokaisen vaaratilanteeseen johtavan tilanteen ennakoiminen on mahdotonta. Älä käytä tätä työkalua, mikäli et ymmärrä näitä käyttöohjeita tai koet, että työ ylittää kykyä; ota yhteyttä Milwaukee Tooliin tai koulutettuun ammattilaiseen lisätietoja tai -koulutusta varten.

Älä poista etikettejä tai tyyppikilpiä. Näissä kilvissä on tärkeitä tietoja. Jos nämä ohjekilvet eivät enää ole luettavissa tai puuttuvat, ota yhteyttä MILWAUKEE-asiakaspalveluun saadakseen uudet kilvet maksuttana.

VAROITUS

Tehohionnasta, sahauksesta, hionnasta, porauksesta ja muista rakentamistoimista syntyvä pöly sisältää kemikaaleja, joiden tiedetään aiheuttavan syöpää, synnynnäisiä poikkeavuuksia tai muita lisääntymishäiriöitä. Joitain esimerkkejä näistä kemikaaleista ovat:

- lyijypohjaisen maalin lyijy
- tiilien ja sementin sekä muiden muuraustuotteiden kiteinen piidioksidi ja
- kemiallisesti käsitellyn puutavaran arsenikki ja kromi.

Näiden altistusten vaara vaihtelee riippuen tämän tyyppisen työn toteuttamistihedystä. Näille kemikaaleille altistumisesi vähentämiseksi: työskentele hyvin ilmastoidulla alueella ja käytä työskennellessäsi hyväksytyjä suojarusteita, kuten erityisesti mikroskooppiset hiukkaset suodattamaan suunniteltu hengityssuojaimia.

TARKOITUKSENMUKAINEN KÄYTTÖ

Tämä työkalu on tarkoitettu putkien ja pulttien kierteitykseen oikea- ja vasenkäisille kierteille, joiden koko on enintään 2 tuumaa. Tarkoituksenvastainen käyttö on kielletty.

KOKOONPANO

VAROITUS

Käytä vain erityisesti tälle työkalulle suositeltuja lisävarusteita. Muut lisävarusteet voivat aiheuttaa vahinkoja.

Kierrepäiden asennus ja poistaminen

Kierrepään voi asentaa työkalun kummalta tahansa puolelta. Kierrepää/sovitin on asennettava työkalun tietyltä puolelta.

- Irrota akku.
- Asenna kierrepäät/sovittimet kuvan mukaisesti

3. Tarkista aina ennen leikkaamista, että kierrepää on lukittunut työkaluun.
4. Poista kierrepää aavamalla kierrepään lukkorengas lukitus ja vetämällä kierrepää ulos työkalusta.

KÄYTTÖ

Kierteitusvoimien kumoaminen

Käytä aina työkalun mukana toimitettua tukilaitetta. Tuki-vari puristetaan putkeen kiinni, mikä auttaa kumoamaan kierteitusvoimia.

VAROITUS! Hallinnan menettäminen käytön aikana voi aiheuttaa henkilövahinkoja.

Nopeuden valitseminen

Nopeuden valitsin on kotelon päällä. Odota, että työkalu pysähtyy kokonaan, ennen kuin nopeutta vaihdetaan.

Ohjauskytkimen käyttäminen

Ohjauskytkimen voi asettaa kolmeen asentoon: myötäpäivään, vastapäivään ja lukitusasentoon. Odota aina, että moottori pysähtyy kokonaan, ennen kuin ohjauskytkintä käytetään.

Kierrä ohjauskytkintä myötäpäivään painamalla sitä työkalun vasemmalta puolelta. **Tarkista kiertymissuunta ennen käyttöä. Tämä kiertäminen tuottaa oikeakätisiä kierteitä, kun terä asennetaan työkalun vasemmalta (etu-)puolelta.**

Kierrä ohjauskytkintä vastapäivään painamalla sitä työkalun oikealta puolelta. **Tarkista kiertymissuunta ennen käyttöä. Tämä kiertäminen tuottaa oikeakätisiä kierteitä, kun terä asennetaan työkalun oikealta (taka-)puolelta.**

Lukitse aina virtakytkin tai poista akku ennen huoltamista, lisävarusteiden vaihtamista, työkalun säilytystä sekä aina, kun työkalua ei käytetä.

Kierteitys

Valmistele putki asianmukaisesti. Varmista, että putki on leikattu suoraan ja jäysteet on poistettu. Kulmittain leikattu putki voi vahingoittaa teriä kierteityksen aikana ja vaikeuttaa kierrepään osumista putkeen. Putken on oltava vakaasti paikallaan ja kiinnitetty, ettei se kallistu käytön aikana. Käytä asianmukaisia pitkitukia putken tukemiseen koko matkalta.

VAROITUS! Älä käytä koruja, löysiä vaatteita tai riepua työkalun käytön aikana. Älä käytä helposti kiinni jääviä käsiineitä työntämisen aikana tai liikkuvien osien lähellä; tämä kasvattaa niiden kietoutumisen riskiä ja loukkaantumisen vaaraa. Kun terät osuvat putkeen, kierteet leikkautuvat terien vetäytyessä putken päähän.

VAROITUS! Pidä työkalusta aina tukevasti kiinni työkalun voimien vastustamiseksi. Tukilaitteet voivat harvoissa tapauksissa luis kahtaa paikaltaan, jolloin työkalu pääsee liikkumaan.

Lisää alueelle runsaasti kierteitusöljyä öljyamislaiteella. Tämä alentaa tarvittavaa kierteitysmomenttia, parantaa kierteen laatua ja pidentää terän kestoikää.

VAROITUS! Leikkauskohdat voivat olla teräviä. Puhdista mahdolliset öljyroiskeet, jotta työympäristö pysyy turvallisena.

Leikkaa vasenkätisiä kierteitä toistamalla vaiheet myötä- tai vastapäivään käänteisesti.

Kierteiden tarkastus ja rengastulkin käyttö

1. Poista mahdollinen öljy, lastut ja roskat kierteestä.
2. Tarkista kierre. Kierteiden on oltava tasaisia, täydellisiä ja oikean muotoisia. Jos niissä näkyy epäsäännöllisyyksiä, kuten rikkonaisia tai ohuita kierteitä tai putken pyöreyspoikkeamia, kierre ei ole välttämättä tiivis.
3. Tarkista kierteen koko rengastulkilla kiertämällä tulkki putkeen ja kiristämällä se käsin. Putken pään on oltava tulkin sivun tasalla (+/- yksi kierros). Jos kierteen mitta ei ole oikea, leikkaa kierre pois, säädä kierrepää ja leikkaa uusi kierre. **VAROITUS!** Väärämittaisen kierteen käyttäminen voi aiheuttaa vuotoja.

HUOLTO

Ota akku pois ennen kaikkia koneeseen tehtäviä toimenpiteitä.

Älä koskaan avaa putken kierteityskonetta, irrotettavaa akkua tai laturia.

Tarkasta putken kierteityskone häiriöiden, kuten liikkuvien osien aiheuttaman melun tai niiden jumittumisen osalta, jotka voivat vaikuttaa laitteen käyttöön.

Tarkasta leikkuuterät halkeamilta ja muilta kulumilta.

Puhdista pöly ja jäämät aukoista. Pidä kahva puhtaana, kuivana, öljyttömänä ja rasvattomana. Käytä ainoastaan mietoja saippuaa ja kosteaa liinaa, sillä tietyt puhdistusaineet ja liuottimet vahingoittavat muoveja ja muita eristettyjä osia. Esimerkkinä vaurioittavista aineista ovat bensini, tärpätti, ohenne, kloroipitoiset puhdistusaineet, ammoniakki ja ammoniakkipitoiset kotitalouspuhdistusaineet. Älä koskaan käytä syttyviä tai tulenarkoja liuottimia työkalujen lähellä.

Tarkista, että terät ovat terävät, ja vaihda kuluneet terät aina sarjana.

Vaihda kierreleuat uusiin, kun niiden reunat ovat murtuneita tai ne ovat vahingoittuneita.

Vaihda terät aina sarjana.

Älä koskaan upota laitetta, irrotettavaa akkua tai laturia nesteeseen tai anna nesteen päästä niihin loukkaantumisen ja vahinkojen välttämiseksi.

Pidä moottorin ilmanottoaukot puhtaina.

Muut hoito- ja korjaustyöt saa suorittaa vain valtuutetut erikoistyneet työpajat.

Käytä ainoastaan Milwaukee lisätarvikkeita ja Milwaukee varaosia. Mikäli jokin komponentti, jota ei ole kuvailtu, tarvitsee vaihtoa ota yhteys johonkin Milwaukee palvelupisteistä (kts. listamme takuuhuoltoilikkeiden/ palvelupisteiden osoitteista)

Tarpeen vaatiessa voit pyytää lähettämään laitteen kokoonpanopiirustuksen ilmoittamalla arvokilven numeron seuraavasta osoitteesta: Techtronic Industries GmbH, Max-Eyth-Straße 10, 71364 Winnenden, Germany.

ONE-KEY™

Lue mukana toimitettu pikäkäyttöohje tai käy verkossa sivulla <http://www.milwaukee.com/one-key> tutustuaksesi tämän laitteen ONE-KEY-toiminnallisuuteen.

Voit ladata ONE-KEY-sovelluksen App Storen tai Google Playn kautta älypuhelimellesi.

Koestustuslosi täyttää standardien EN 301 489-1 / EN 301 489-17 mukaiset vähimmäisvaatimuksemme. Anname ohjausta toiminnasta asiakkaille käyttöoppaassa.



Suo

AKKU

Pitkään käyttämättä olleet vaihtoakut on ladattava ennen käyttöä.

Yli 50°C lämpötilassa akun suorituskyky heikkenee. Vältäthän akkujen säilyttämistä auringossa tai kuumissa tiloissa.

Pidä aina latauslaitteen ja akun kosketinpinnat puhtaina.

Optimaalisen käyttöiän saavuttamiseksi akut on ladattava täyteen käytön jälkeen.

Mahdollisimman pitkän elinajan takaamiseksi akut tulee poistaa laturista lataamisen jälkeen.

Akkuja yli 30 päivää säilytettäessä:

Säilytä akku yli 27 °C:ssa ja kuivassa.

Säilytä akku sen latauksen ollessa 30 % - 50 %.

Lataa akku 6 kuukauden välein uudelleen.

On varottava, ettei latauslaitteiden vaihtoakkulatauskoloon joutu metalliesineitä (oikosulkuvaara).

AKUN YLIKUORMITUSSUOJAUS

Jos akku ylikuormittuu erittäin suuren virrankulutuksen vuoksi, esim. erittäin suurten vääntömomenttien, poranterän kiinnijuuttumisen, äkillisen pysähtymisen tai lyhytsulun vuoksi, niin sähkötyökalu surisee 2 sekunnin ajan ja sammuu sitten omatoimisesti.

LITIUMI-IONIAKKujen KULJETTAMINEN

Litiumi-ioniakut kuuluvat vaarallisten aineiden kuljetuksesta annettujen lakien piiriin.

Näiden akkujen kuljettaminen täytyy suorittaa noudattaen paikallisia, kansallisia ja kansainvälisiä määräyksiä ja säädöksiä.

Kuluttajat saavat ilman muuta kuljettaa näitä akkuja teitä pitkin.

Kaupallisessa kuljetuksessa huolintaliikkeiden täytyy kuljettaa litiumi-ioniakkuja vaarallisten aineiden kuljetuksesta annettujen määräysten mukaisesti. Ainoastaan tähän vastaavasti koulutetut henkilöt saavat suorittaa kuljetuksen valmistelutoimet ja itse kuljetuksen. Koko prosessia tulee valvoa asiantuntevasti.

Seuraavat kohdat tulee huomioida akkuja kuljettaessa:

Varmista, että akkujen kontaktit on suojattu ja eristetty, jotta vältetään lyhytsulut. Huolehdi siitä, ettei akkusarja voi luiskahtaa paikaltaan pakkauksen sisällä. Vahingoittuneita tai vuotavia akkuja ei saa kuljettaa. Pyydä tarkemmat tiedot huolintaliikkeeltäsi.

TODISTUS CE-STANDARDIN MUKAISUUDESTA

Vakuutamme täten olevamme yksin vastuussa siitä, että kohdassa "Tekniset tiedot" kuvattu tuote vastaa kaikkia direktiivien merkityksellisiä säädöksiä

2011/65/EU (RoHS)

2006/42/EY

2014/53/EU

ja seuraavia yhdenmukaistettuja standardeja on käytetty

EN 62841-1:2015

EN 62841-2-9:2015

EN 55014-1:2017+A11:2020

EN 55014-2:2015

EN 301 489-1 V2.2.3

EN 301 489-1 V3.1.1

EN 300 328 V2.2.2

EN 62479:2010

EN IEC 63000:2018



Winnenden, 2020-11-09

Alexander Krug / Managing Director

Valtuutettu kokoamaan tekniset dokumentit.

Techtronic Industries GmbH

Max-Eyth-Straße 10, 71364 Winnenden, Germany



SYMBOLIT



HUOMIO! VAROITUS! VAARA!



Ota akku pois ennen kaikkia koneeseen tehtäviä toimenpiteitä.



Pidä kädet kaukana liikkuvista osista.



Lue käyttöohjeet huolellisesti, ennen koneen käynnistämistä.



Käytä laitteella työskennellessäsi aina suojalaseja.



Käytä aina tukivartta.



Käytä aina nahkakäsineitä.



Tämä laite sisältää litium-nappipariston.



Jännite



Tasavirta



Sähkölaitteita, paristoja/akkuja ei saa hävittää yhdessä kotitalousjätteiden kanssa. Sähkölaitteet ja akut tulee kerätä erikseen ja toimittaa kierrätysliikkeeseen ympäristöystävällistä hävittämistä varten. Pyydä paikallisilta viranomaisilta tai alan kauppiaaltasi tarkemmat tiedot kierrätyspisteistä ja keräyspaikoista.



Euroopan säännönmukaisuusmerkki



Britannian säännönmukaisuusmerkki



Ukrainan säännönmukaisuusmerkki



Euraasian säännönmukaisuusmerkki



ΤΕΧΝΙΚΑ ΣΤΟΙΧΕΙΑ Σπειροτόμος σωλήνων	M18 FPT2
Αριθμός παραγωγής	4773 51 01 000001-999999
Ζώνη/ες συχνοτήτων Bluetooth	2402 - 2480 MHz
Μέγιστη ισχύς υψηλής	1,8 dBm
Έκδοση Bluetooth	4.0 BT signal mode
Τεχνολογία συσσωρευτών	Li-Ion
Τάση ανταλλακτικής μπαταρίας	18 V
Ονομαστικός αριθμός στροφών	
1η ταχύτητα	0 min ⁻¹ ... 29 min ⁻¹
2η ταχύτητα	0 min ⁻¹ ... 41 min ⁻¹
Χωρητικότητα	
1η ταχύτητα	1 1/2" ... 2" 32 mm ... 50 mm
2η ταχύτητα	1/8" ... 1 1/4" 3 mm ... 30 mm
Κεφαλές μήτρας	Ridgid 12-R
Βάρος σύμφωνα με τη διαδικασία EPTA 01/2014 (Li-Ion 2.0 Ah ... 12.0 Ah)	10,54 kg ... 11,60 kg
Συνιστώμενη θερμοκρασία περιβάλλοντος για τη λειτουργία	-18 °C ... +50 °C
Συνιστώμενη δέσμη συσσωρευτών	M18B... min. 6.0 Ah M18HB...
Συνιστώμενη συσκευή φόρτισης	M12-18..., M1418C6
Πληροφορίες θορύβου	
Τιμές μέτρησης εξακριβωμένες κατά EN 62841. Η σύφωνα με την καμπύλη A εκτιμηθείσα στάθμη θορύβου του μηχανήματος αναφέρεται σε:	
Στάθμη ηχητικής πίεσης (Ανασφάλεια K=3dB(A))	74,2 dB(A)
Στάθμη ηχητικής ισχύος (Ανασφάλεια K=3dB(A))	85,2 dB(A)
Φοράτε προστασία ακοής (ωτασπίδες)!	
Πληροφορίες δόνησεων	
Υλικές τιμές κραδασμών (άθροισμα διανυσμάτων τριών διευθύνσεων) εξακριβώθηκαν σύμφωνα με τα πρότυπα EN 62841.	
Τιμή εκπομπής δόνησεων a _{hmax}	1,6 m/s ²
Ανασφάλεια K=	1,5 m/s ²



EL

ΠΡΟΕΙΔΟΠΟΙΗΣΗ!

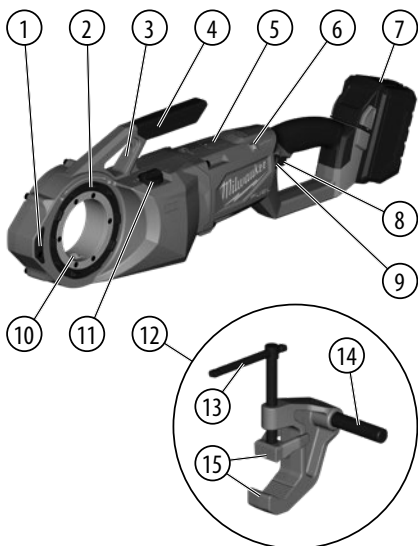
Το αναφερόμενο στο παρόν φυλλάδιο επίπεδο τιμών δόνησης και εκπομπής θορύβου έχει μετρηθεί σύμφωνα με μια τυπική μέθοδο δοκιμών κατά το πρότυπο EN 62841 και μπορεί να χρησιμοποιηθεί για τη σύγκριση εργαλείων μεταξύ τους. Μπορεί να χρησιμοποιηθεί για μια προκαταρκτική αξιολόγηση της έκθεσης.

Οι αναφερόμενες τιμές επιπέδων δόνησης και εκπομπής θορύβου αντιστοιχούν στις βασικές εφαρμογές του εργαλείου. Στην περίπτωση χρήσης του εργαλείου σε διαφορετικές εφαρμογές, με διαφορετικά εξαρτήματα ή ανεπαρκή συντήρηση, τα επίπεδα δόνησης και εκπομπών θορύβου ενδέχεται να διαφέρουν. Αυτό μπορεί να έχει ως συνέπεια μία σημαντική αύξηση των επιπέδων έκθεσης καθόλη τη διάρκεια εκτέλεσης των εργασιών.

Για μία εκτίμηση των επιπέδων έκθεσης σε δόνηση και θόρυβο πρέπει να συνυπολογίζονται οι χρόνοι απενεργοποίησης του εργαλείου ή αυτοί κατά τους οποίους παραμένει ενεργό χωρίς να εκτελείται κάποια εργασία. Αυτό μπορεί να μειώσει σημαντικά τα επίπεδα έκθεσης καθόλη τη διάρκεια εκτέλεσης των εργασιών.

Ορίστε πρόσθετα μέτρα προστασίας του χειριστή από την έκθεση στη δόνηση ή/και στον θόρυβο όπως: συντήρηση του εργαλείου και των παρελκόμενων εξαρτημάτων, διατήρηση θερμότητας των χεριών, οργάνωση μοτίβων εργασίας.

Φοράτε ωτασπίδες. Η επίδραση του θορύβου μπορεί να προκαλέσει απώλεια ακοής.



Περιγραφή συσκευής

- | | |
|---|---------------------------|
| 1 Πλευρική λαβή | 8 Σκανδάλη |
| 2 Δακτύλιος ασφάλισης κεφαλής μίτρας | 9 Διακόπτης ελέγχου |
| 3 Σημείο τοποθέτησης βραχίονα υποστήριξης | 10 Μετάδοση ροπής |
| 4 Λαβή μεταφοράς | 11 Επιλογέα ταχύτητας |
| 5 Εσωτερική μπαταρία | 12 Σφιγκτήρας υποστήριξης |
| 6 Δείκτης ONE KEY | 13 Βραχίονας σύσφιξης |
| 7 Πακέτο συσσωρευτών | 14 Βραχίονας υποστήριξης |
| | 15 Σιαγόνες |

ΠΡΟΕΙΔΟΠΟΙΗΣΗ

Διαβάστε όλες τις υποδείξεις ασφαλείας, τις οδηγίες, τις εικόνες και τα δεδομένα, τα οποία θα λάβετε μαζί με το μηχάνημα. Η μη τήρηση των οδηγιών που ακολουθούν, μπορεί να οδηγήσει σε ηλεκτροπληξία, φωτιά και/ή σε σοβαρούς τραυματισμούς.

Φυλάξτε όλες τις προειδοποιητικές υποδείξεις και οδηγίες για κάθε μελλοντική χρήση.

ΟΔΗΓΙΕΣ ΑΣΦΑΛΕΙΑΣ ΓΙΑ ΣΠΕΙΡΟΤΟΜΟΥΣ ΣΛΗΝΩΝ

- Χρησιμοποιείτε πάντα τη διάταξη υποστήριξης που παρέχεται μαζί με το εργαλείο. Η απώλεια ελέγχου κατά τη λειτουργία μπορεί να έχει ως επακόλουθο την πρόκληση τραυματισμού.
- Έχετε τα χέρια και τα πανωφόρια κουμπωμένα ενώ χειρίζεστε το εργαλείο. Μην αγγίζετε κατά μήκος του εργαλείου ή του σωλήνα. Τα ενδύματα μπορεί να πασιούν στον σωλήνα ή το εργαλείο προκαλώντας εμπλοκή.
- Μόνο ένα άτομο πρέπει να ελέγχει τη διαδικασία και τη λειτουργία του εργαλείου. Η εμπλοκή περισσότερων ατόμων στη διαδικασία μπορεί να επιφέρει ακούσια θέση σε λειτουργία και πρόκληση τραυματισμού.

d) Διατηρείτε τα δάπεδα στεγνά και καθαρά από ολισθηρά υλικά όπως λάδια. Τα ολισθηρά δάπεδα ευνοούν την πρόκληση ατυχημάτων.

Περαιτέρω οδηγίες ασφαλείας και χρήσεως

- Κατά τη σπειροτόμηση ή αφαίρεση της κεφαλής μίτρας από τον σωλήνα, κρατάτε σταθερά το εργαλείο για να αντισταθείτε προς τις δυνάμεις, ανεξάρτητα από τη χρησιμοποιούμενη διάταξη υποστήριξης. Αυτό θα μειώσει τον κίνδυνο πρόσκρουσης, σύνθλιψης και λοιπών τραυματισμών.
- Μην χρησιμοποιείτε μίτρες που παρουσιάζουν σημάδια φθοράς, στόμωση ή ζημιά. Τα κοφτερά εργαλεία κοπής απαιτούν μικρότερη ροπή και διευκολύνουν τον χειρισμό του εργαλείου.
- Να χρησιμοποιείται μόνο:**
 - Rems Quick change 1/8" ... 2" (με δακτυλίους προσαρμογέα)
 - Rothenberger Κεφαλές μίτρας 1/4" ... 2" (με δακτυλίους προσαρμογέα)
 - Ridgid 11-R 1/4" ... 2" (με δακτυλίους προσαρμογέα)
 - Ridgid 12-R
- Μην αφήνετε τις κεφαλές μιτρών στο εργαλείο, προκειμένου να αποφεύγεται η φθορά από την επαφή μετάλλου με μέταλλο.**
- Να χρησιμοποιείτε πάντοτε την κοινή λογική και να είστε προσεκτικοί όταν χρησιμοποιείτε εργαλεία.** Δεν είναι δυνατόν να προβλεφθεί κάθε κατάσταση που μπορεί να καταλήξει σε ένα επικίνδυνο αποτέλεσμα. Μη χρησιμοποιείτε αυτό το εργαλείο, αν δεν κατανοείτε αυτές τις οδηγίες λειτουργίας ή αισθανέστε ότι η εργασία είναι πέρα από τις δυνατότητές σας. Επικοινωνήστε με την Milwaukee Tool ή έναν εκπαιδευμένο επαγγελματία για επιπλέον πληροφορίες ή εκπαίδευση.
- Μην αφαιρείτε τις ετικέτες και τις πινακίδες τύπου.** Αυτές οι πινακίδες περιέχουν σημαντικές πληροφορίες. Είναι αυτές οι ενδεικτικές πινακίδες δυσανάγνωστες ή απουσιάζουν, τότε να απευθύνεστε στο τμήμα εξυπηρέτησης πελατών της MILWAUKEE για μια ανέξοδη αντικατάσταση αυτών.

ΠΡΟΕΙΔΟΠΟΙΗΣΗ

Ορισμένες σκόνης που παράγονται από εργασίες με ηλεκτρικά τριβεία, πρίονια, γωνιακούς τροχούς, δράπανα και άλλες κατασκευαστικές δραστηριότητες περιέχουν χημικές ουσίες οι οποίες είναι γνωστές ότι προκαλούν καρκίνο, εκ γενετής παραμορφώσεις ή άλλες αναπαραγωγικές βλάβες. Μερικά παραδείγματα τέτοιων χημικών ουσιών είναι:

- μόλυβδος από βαφές με βάση το μολύβδο
 - κρυσταλλικό πυριτικό από τούβλα, σκυρόδεμα και άλλα προϊόντα τοιχοποιίας και
 - αρσενικό και χρώμιο από χημικά επεξεργασμένη ξυλεία.
- Ο κίνδυνος που διατρέχετε από αυτές τις εκθέσεις ποικίλει, ανάλογα με το πόσο συχνά εκτελείτε αυτού του είδους την εργασία. Για να μειώσετε την έκθεση σας σε αυτές τις χημικές ουσίες: να εργάζεστε σε έναν καλά αεριζόμενο χώρο και να εργάζεστε χρησιμοποιώντας εγκεκριμένο εξοπλισμό ασφαλείας, όπως μάσκες προστασίας από σκόνη που είναι ειδικά σχεδιασμένες για να συγκρατούν, μέσω φίλτρου, μικροσκοπικά σωματίδια.



ΧΡΗΣΗ ΣΥΜΦΩΝΑ ΜΕ ΤΟ ΣΚΟΠΟ ΠΡΟΟΡΙΣΜΟΥ

Το συγκεκριμένο εργαλείο προορίζεται για την σπειροτόμηση σωληνών και μπουλονιών για δεξιόστροφα και αριστερόστροφα σπειρώματα μεγέθους έως 2". Άλλες χρήσεις πέραν της ενδεδειγμένης απαγορεύονται.

ΣΥΝΑΡΜΟΛΟΓΗΣΗ

ΠΡΟΕΙΔΟΠΟΙΗΣΗ

Χρησιμοποιείτε μόνο εξαρτήματα που συνιστώνται ειδικά για αυτό το εργαλείο. Η χρήση άλλων εξαρτημάτων ενέχει κινδύνους.

Εγκατάσταση / Αφαίρεση κεφαλών μήτρας

Η εισαγωγή της κεφαλής μήτρας είναι δυνατή από οποιαδήποτε πλευρά του εργαλείου.

Η εισαγωγή της κεφαλής μήτρας/του προσαρμογέα πρέπει να γίνει από τη σωστή πλευρά του εργαλείου.

1. Αφαιρέστε το πακέτο συσσωρευτών.
2. Εγκαταστήστε τις κεφαλές μήτρας/τους προσαρμογείς όπως απεικονίζεται.
3. Ελέγχετε πάντα ότι η κεφαλή μήτρας έχει ασφαλίσει στο εργαλείο πριν αρχίσετε μία κοπή.
4. Για να αφαιρέσετε την κεφαλή μήτρας, απασφαλίστε τον δακτύλιο ασφάλισης και τραβήξτε την κεφαλή μήτρας από το εργαλείο.

ΧΕΙΡΙΣΜΟΣ

Αντίσταση στις δυνάμεις σπειροτόμησης

Χρησιμοποιείτε πάντα τη διάταξη υποστήριξης που παρέχεται με το εργαλείο. Ο βραχίονας υποστήριξης σφίγγει στον σωλήνα και παρέχει αντίσταση στις δυνάμεις που ασκούνται κατά τη σπειροτόμηση.

ΠΡΟΕΙΔΟΠΟΙΗΣΗ! Η απώλεια ελέγχου κατά τη λειτουργία μπορεί να προκαλέσει τραυματισμό.

Επιλογή ταχύτητας

Ο επιλογέας ταχύτητας βρίσκεται στο επάνω μέρος του περιβλήματος. Αφήνετε το εργαλείο να ακινητοποιείται πλήρως πριν αλλάξετε ταχύτητα.

Χρήση διακόπτη ελέγχου

Ο διακόπτης ελέγχου παρέχει τη δυνατότητα επιλογής μεταξύ τριών θέσεων: δεξιόστροφα, αριστερόστροφα και κλειδωμένος. Αφήνετε πάντα τον κινητήρα να ακινητοποιείται πλήρως πριν χρησιμοποιήσετε τον διακόπτη ελέγχου.

Για δεξιόστροφη περιστροφή, πατήστε τον διακόπτη ελέγχου από την αριστερή πλευρά του εργαλείου. **Ελέγξτε τη φορά περιστροφής πριν τη χρήση. Αυτή η περιστροφή θα παράγει δεξιόστροφα σπειρώματα εάν η εισαγωγή της μήτρας γίνει από την αριστερή (μπροστινή) πλευρά του εργαλείου.**

Για αριστερόστροφη περιστροφή, πατήστε τον διακόπτη ελέγχου από τη δεξιά πλευρά του εργαλείου. **Ελέγξτε τη φορά περιστροφής πριν τη χρήση. Αυτή η περιστροφή θα παράγει δεξιόστροφα σπειρώματα εάν η εισαγωγή της μήτρας γίνει από τη δεξιά (πίσω) πλευρά του εργαλείου.**

Κλειδώνετε πάντα τη σκανδάλη ή αφαιρείτε το πακέτο συσσωρευτών πριν εκτελέσετε εργασίες συντήρησης, αλλαγής εξαρτημάτων, πριν την αποθήκευση του εργαλείου και όποτε δεν χρησιμοποιείται.

Σπειροτόμηση

Προετοιμάστε κατάλληλα τον σωλήνα. Βεβαιωθείτε ότι ο σωλήνας έχει κοπεί κάθετα και πως έχουν αφαιρεθεί τα γρέζια. Η κοπή άκρου του σωλήνα από γωνία μπορεί να προκαλέσει ζημιά στις μήτρες κατά τη σπειροτόμηση και να διασφραξίσει την εμπλοκή της κεφαλής μήτρας. Ο σωλήνας πρέπει να είναι σταθερός και ασφαλισμένος για να αποφευχθεί η μετακίνησή του κατά τη χρήση. Χρησιμοποιείτε κατάλληλες για το μήκος του σωλήνα βάσεις.

ΠΡΟΕΙΔΟΠΟΙΗΣΗ! Μην φοράτε κοσμήματα, φαρδιά ενδύματα ή μην χρησιμοποιείτε πανιά όταν χειρίζεστε το εργαλείο. Μην φοράτε γάντια που μπορεί να πιαστούν όταν σπρώχνετε επάνω ή κοντά σε κινούμενα μέρη, καθώς αυτό αυξάνει τον κίνδυνο εμπλοκής και τραυματισμού. Όταν οι μήτρες εμπλοκούν στον σωλήνα, οι σπείρες θα κοπούν καθώς οι μήτρες έλκονται προς το άκρο του σωλήνα.

ΠΡΟΕΙΔΟΠΟΙΗΣΗ! Κρατάτε πάντα σταθερά το εργαλείο για να αντισταθμίσετε τις δυνάμεις του εργαλείου. Οι διατάξεις υποστήριξης μπορούν, σε σπάνιες περιπτώσεις, να γλιστρήσουν προκαλώντας μετατόπιση του εργαλείου.

Χρησιμοποιείτε έναν γρασαδόρο για να εφαρμόσετε επαρκή ποσότητα λαδιού σπειροτόμησης στην περιοχή. Αυτό θα συμβάλει στη μείωση της απαιτούμενης ροπής σπειροτόμησης, στη βελτίωση της ποιότητας σπειρώματος και στην αύξηση της διάρκειας ζωής της μήτρας.

ΠΡΟΕΙΔΟΠΟΙΗΣΗ! Οι κοπές μπορεί να είναι κοφτερές. Καθαρίστε τυχόν σταγόνες λαδιού για να διατηρήτε το περιβάλλον εργασίας ασφαλές.

Για αριστερόστροφα σπειρώματα, αντιστρέψτε τη δεξιόστροφη/αριστερόστροφη επιλογή.

Έλεγχος σπειρωμάτων/Χρήση δακτυλίου διακριβώσης

1. Σκουπίστε τυχόν λάδια, ρινίσματα ή βρωμιά από το σπείρωμα.
2. Ελέγξτε το σπείρωμα. Τα σπειρώματα πρέπει να είναι λεία, πλήρη και καλοσημητισμένα. Εάν διαπιστώσετε ανωμαλίες όπως ρήξη σπειρώματος, λειπά σπειρώματα ή παραμόρφωση του σωλήνα, το σπείρωμα πιθανώς να μην κλείνει στεγανά.
3. Για να ελέγξετε το μέγεθος του σπειρώματος με έναν δακτύλιο διακριβώσης, βιδώστε τον δακτύλιο στον σωλήνα και σφίξτε τον. Το άκρο του σωλήνα πρέπει να ευθυγραμμίζεται με το πλευρό του δακτυλίου (συν/πλην μία στροφή). Εάν το σπείρωμα δεν πιάνει σωστά, κόψτε το σπείρωμα, προσαρμόστε την κεφαλή μήτρας και κόψτε νέο σπείρωμα. **ΠΡΟΕΙΔΟΠΟΙΗΣΗ!** Η χρήση σπειρώματος που δεν εφαρμόζει σωστά μπορεί να προκαλέσει διαρροές.

ΣΥΝΤΗΡΗΣΗ

Πριν από κάθε εργασία στη μηχανή αφαιρείτε την ανταλλακτική μπαταρία.

Μην ανοίγετε ποτέ τον σπειροτόμο σωληνών, τον επαναφορτιζόμενο συσσωρευτή ή τον φορτιστή.

Ελέγχετε τον σπειροτόμο σωληνών για ενδεχόμενα προβλήματα όπως θόρυβο ή μάγκωμα των κινούμενων μερών, τα οποία μπορεί να επηρεάσουν το εργαλείο.

Ελέγχετε τα εργαλεία κοπής για ρωγμές και άλλες ενδείξεις φθοράς. Καθαρίστε τη σκόνη και τα θραύσματα από τα ανοίγματα. Διατηρείτε τη λαβή καθαρή, στεγνή και χωρίς λάδια ή γράσα. Χρησιμοποιείτε μόνο ήπιο σαπούνι και ένα ντυσιμένο πανί για να καθαρίσετε, καθώς ορισμένα προϊόντα καθαρισμού και διαλύτες είναι επιβλαβείς για πλαστικά και άλλα μονωμένα μέρη. Ορισμένα από αυτά περιλαμβάνουν βενζίνη, τερεβινθέλαιο, αραιωτικό βερνικιού, αραιωτικό βαφής, χλωριωμένα διαλυτικά καθαρισμού, αμμωνία και οικιακά απορρυπαντικά που περιέχουν αμμωνία. Μη χρησιμοποιείτε ποτέ εύφλεκτους ή καύσιμους διαλύτες κοντά σε εργαλεία.

Ελέγχετε ότι οι μήτρες είναι κοφτερές και αντικαθιστάτε πάντα ως πλήρες σετ τις φθαρμένες μήτρες.

Αντικαταστήστε τις μήτρες κοπής, όταν παρουσιάσουν θραύσεις ή ζημιές.

Αντικαθιστάτε πάντα τις μήτρες ως πλήρες σετ.

Για να αποφύγετε τραυματισμούς και ζημιές, μη βυθίζετε ποτέ το εργαλείο, τον επαναφορτιζόμενο συσσωρευτή ή τη συσκευή φόρτισης σε υγρό και μην επιτρέπετε ποτέ να εισχωρήσει υγρό σε αυτά.

Διατηρείτε πάντοτε τις σχισμές εξαερισμού της μηχανής καθαρές.

Περαιτέρω εργασίες συντήρησης και επισκευής επιτρέπεται να διεξάγονται μόνο από εξειδικευμένα συνεργεία.

Χρησιμοποιείτε μόνο αξεσουάρ Milwaukee και ανταλλακτικά Milwaukee. Εξαρτήματα, που η αλλαγή τους δεν περιγράφεται, αντικαθιστώνται σε μια τεχνική υποστήριξη της Milwaukee (βλέπε φυλλάδιο εγγύηση/ διευθύνσεις τεχνικής υποστήριξης).

Όταν χρειάζεται, μπορείτε να ζητήσετε ένα σχέδιο συναρμολόγησης της συσκευής, δίνοντας τον τύπο της μηχανής και αριθμό στην πινακίδα ισχύος, από το κέντρο σέρβις ή απευθείας από τη φίρμα Techtronic Industries GmbH, Max-Eyth-Strasse 10, 71364 Winnenden, Germany.

ONE-KEY™

Προκειμένου να μάθετε περισσότερα για τη λειτουργικότητα ONE-KEY της εν λόγω συσκευής, διαβάστε τον επισυναπτόμενο οδηγό γρήγορης εκκίνησης ή επισκεφτείτε τη σελίδα μας στο Διαδίκτυο <http://www.milwaukeeetool.com/one-key>

Μπορείτε να κατεβάσετε την εφαρμογή ONE-KEY στο Smartphone σας από το App Store ή το Google Play.

Το αποτέλεσμα δοκιμής εκπληρώνει τις ελάχιστες απαιτήσεις μας κατά EN 301 489-1 / EN 301 489-17. Και θα προσφέρουμε καθοδήγηση στον πελάτη σχετικά με τον τρόπο λειτουργίας σε μορφή εγχειριδίου χρήσης.

ΜΠΑΤΑΡΙΕΣ

Επαναφορτίζετε τις ανταλλακτικές μπαταρίες που δεν έχουν χρησιμοποιηθεί για μεγαλύτερο χρονικό διάστημα πριν τη χρήση.

Μια θερμοκρασία πάνω από 50°C μειώνει την ισχύ της ανταλλακτικής μπαταρίας. Αποφύγετε τη θέρμανση για μεγαλύτερο χρονικό διάστημα από τον ήλιο ή τις συσκευές θέρμανσης.

Διατηρείτε τις επαφές σύνδεσης στο φορτιστή και στην ανταλλακτική μπαταρία καθαρές.

Για μια άριστη διάρκεια ζωής πρέπει μετά τη χρήση οι μπαταρίες να φορτιστούν πλήρως.

Για μια κατά το δυνατόν μεγάλη διάρκεια ζωής οι μπαταρίες μετά τη φόρτιση οφείλουν να αφαιρεθούν από το φορτιστή.

Για την αποθήκευση της μπαταρίας για διάστημα μεγαλύτερο των 30 ημερών:

Αποθηκεύετε τη μπαταρία περ. στους 27°C σε στεγνό χώρο.

Αποθηκεύετε τη μπαταρία περ. στο 30%-50% της κατάστασης φόρτισης.

Κάθε 6 μήνες φορτίζετε εκ νέου τη μπαταρία.

Στη θήκη υποδοχής των ανταλλακτικών μπαταριών του φορτιστή δεν επιτρέπεται να φθάνουν μεταλλικά αντικείμενα (κινδύνος βραχυκυκλώματος).

ΠΡΟΣΤΑΣΙΑ ΥΠΕΡΦΟΡΤΩΣΗΣ ΤΗΣ ΜΠΑΤΑΡΙΑΣ

Σε υπερφόρτωση της μπαταρίας από πολύ υψηλή κατανάλωση ρεύματος, π. χ. από ακραίες υψηλές ροπές περιστροφής, μπλοκάρισμα του τρπανιού, ξαφνικό stop ή βραχυκύκλωμα, βουίζει το ηλεκτρικό εργαλείο για 2 δευτερόλεπτα και απενεργοποιείται αυτόματα.

ΜΕΤΑΦΟΡΑ ΤΩΝ ΜΠΑΤΑΡΙΩΝ ΙΟΝΤΩΝ ΛΙΘΙΟΥ

Οι μπαταρίες ιόντων λιθίου υπόκεινται στις απαιτήσεις των νομικών διατάξεων για την μεταφορά επικινδύνων εμπορευμάτων.

Η μεταφορά τέτοιων μπαταριών πρέπει να πραγματοποιείται τηρώντας τους τοπικούς, εθνικούς και διεθνείς κανονισμούς και τις αντίστοιχες διατάξεις.

Επιτρέπεται η μεταφορά τέτοιων μπαταριών στο δρόμο χωρίς περαιτέρω απαιτήσεις.

Η εμπορική μεταφορά μπαταριών ιόντων λιθίου από εταιρείες μεταφορών υπόκειται στις απαιτήσεις των νομικών διατάξεων για την μεταφορά επικινδύνων εμπορευμάτων. Οι προετοιμασίες αποστολής και η μεταφορά πραγματοποιούνται αποκλειστικά από ειδικά εκπαιδευμένα πρόσωπα. Η συνολική διαδικασία συνοδεύεται από εξειδικευμένο προσωπικό.

Κατά τη μεταφορά μπαταριών ιόντων λιθίου πρέπει να προσέχετε τα εξής:

Φροντίστε τα σημεία επαφών να είναι προστατευμένα και μονωμένα ώστε να αποφευχθούν βραχυκυκλώματα. Προσέξτε το πακέτο μπαταριών να είναι σταθερό μέσα στη συσκευασία και να μη γλιστρά. Η μεταφορά μπαταριών που παρουσιάζουν φθορές ή διαρροές δεν επιτρέπεται. Για περισσότερες πληροφορίες απευθυνθείτε στην εταιρεία μεταφορών.



ΔΗΛΩΣΗ ΠΙΣΤΟΤΗΤΑΣ ΕΚ

Δηλώνουμε με αποκλειστική μας ευθύνη, ότι το προϊόν που περιγράφεται στα «Τεχνικά Χαρακτηριστικά» συμμορφώνεται με όλες τις σχετικές διατάξεις των οδηγιών

2011/65/EE (RoHS)

2006/42/EK

2014/53/EE

και έχουν εφαρμοστεί τα ακόλουθα εναρμονισμένα πρότυπα

EN 62841-1:2015

EN 62841-2-9:2015

EN 55014-1:2017+A11:2020

EN 55014-2:2015

EN 301 489-1 V2.2.3

EN 301 489-17 V3.1.1

EN 300 328 V2.2.2

EN 62479:2010

EN IEC 63000:2018



Winnenden, 2020-11-09

Alexander Krug / Managing Director
Εξουσιοδοτημένος να συντάξει τον τεχνικό φάκελο.
Techtronic Industries GmbH
Max-Eyth-Straße 10, 71364 Winnenden, Germany



ΣΥΜΒΟΛΑ



ΠΡΟΣΟΧΗ! ΠΡΟΕΙΔΟΠΟΙΗΣΗ! ΚΙΝΔΥΝΟΣ!



Πριν από κάθε εργασία στη μηχανή αφαιρείτε την ανταλλακτική μπαταρία.



Κρατάτε τα χέρια σας μακριά από τα κινούμενα μέρη.



Παρακαλώ διαβάστε σχολαστικά τις οδηγίες χρήσης πριν από την έναρξη λειτουργίας.



Στις εργασίες με τη μηχανή φοράτε πάντοτε προστατευτικά γυαλιά.



Χρησιμοποιείτε πάντα τον βραχίονα υποστήριξης.



Να φοράτε πάντα δερμάτινα γάντια.



Αυτή η συσκευή περιέχει μία μπαταρία λιθίου τύπου κουμπιού/κέρματος.

V

Τάση



Συνεχές ρεύμα



Ηλεκτρικά μηχανήματα, μπαταρίες/συσσωρευτές δεν επιτρέπεται να απορρίπτονται μαζί με τα οικιακά απορρίμματα. Ηλεκτρικά μηχανήματα και συσσωρευτές συλλέγονται ξεχωριστά και παραδίδονται προς ανακύκλωση με τρόπο φιλικό προς το περιβάλλον σε επιχείρηση επεξεργασίας απορριμμάτων. Ενημερωθείτε από τις τοπικές υπηρεσίες ή από ειδικευμένους εμπόρους σχετικά με κέντρα ανακύκλωσης και συλλογής απορριμμάτων.



Ευρωπαϊκό σήμα πιστότητας



Βρετανικό σήμα πιστότητας



Ουκρανικό σήμα πιστότητας



Ευρασιατικό σήμα πιστότητας

TEKNİK VERİLER Boru dışı açıcı	M18 FPT2
Üretim numarası	4773 51 01 000001-999999
Bluetooth frekans bandı (frekans bantları)	2402 - 2480 MHz
Yüksek frekans gücü	1,8 dBm
Bluetooth sürümü	4.0 BT signal mode
Pil teknolojisi	Li-Ion
Kartuş akü gerilimi	18 V
Devir sayısı 1. Dişli 2. Dişli	0 min ⁻¹ ... 29 min ⁻¹ 0 min ⁻¹ ... 41 min ⁻¹
Kapasite 1. Dişli 2. Dişli	1 1/2" ... 2" 32 mm ... 50 mm 1/8" ... 1 1/4" 3 mm ... 30 mm
Lokma Başlıkları	Ridgid 12-R
Ağırlığı ise EPTA-üretici 01/2014'e göre (Li-Ion 2.0 Ah ... 12.0 Ah)	10,54 kg ... 11,60 kg
Çalıştırılması için tavsiye edilen ortam sıcaklığı	-18 °C ... +50 °C
Tavsiye edilen güç paketleri	M18B... min. 6.0 Ah M18HB...
Tavsiye edilen şarj aletleri	M12-18..., M1418C6
Gürültü bilgileri Ölçüm değerleri EN 62841 e göre belirlenmektedir. Aletin, frekansa bağımlı uluslararası ses basıncı seviyesi değerlendirme eğrisi A'ya göre tipik gürültü seviyesi:	
Ses basıncı seviyesi (Tolerans K=3dB(A))	74,2 dB(A)
Akustik kapasite seviyesi (Tolerans K=3dB(A))	85,2 dB(A)
Koruyucu kulaklık kullanın!	
Vibrasyon bilgileri Toplam titreşim değeri (üç yönün vektör toplamı) EN 62841'e göre belirlenmektedir:	
titreşim emisyon değeri a _{hmax}	1,6 m/s ²
Tolerans K=	1,5 m/s ²



UYARI!

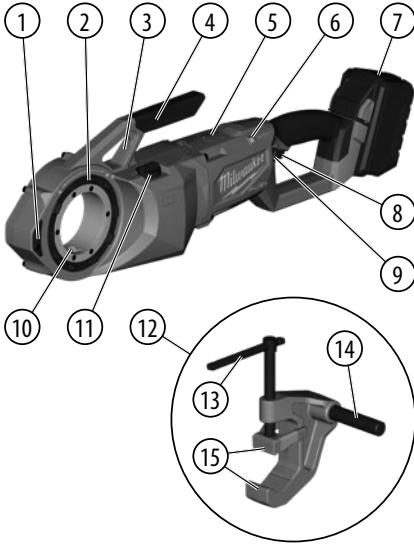
Bu bilgi formunda belirtilen titreşim ve gürültü düzeyi EN 62841 uyarınca standart bir test yöntemine göre ölçülmüş olup, bir aleti diğeriyle karşılaştırmak için kullanılabilir. Bir maruz kalma ön değerlendirmesi için de kullanılabilir.

Beyan edilmiş titreşim ve gürültü emisyon değeri aletin ana uygulamalarını temsil eder. Ancak, alet farklı uygulamalar için veya farklı aksesuarlarla kullanılır ya da aletin bakımı yetersiz yapılırsa, titreşim ve gürültü emisyonu farklılık gösterebilir. Bu, toplam çalışma süresi boyunca maruz kalma seviyesini önemli ölçüde artırabilir.

Titreşim ve gürültüye maruz kalma seviyesi tahmininde, aletin kapalı olduğu veya çalıştığı, ancak aslında işini yapmadığı süreler de göz önünde bulundurulmalıdır. Bu, toplam çalışma süresi boyunca maruz kalma seviyesini önemli ölçüde azaltabilir.

Operatörü titreşim ve/veya gürültünün etkilerinden korumak için, aletin ve aksesuarların bakımını yapmak, elleri sıcak tutmak ve çalışma biçimlerini düzenlemek gibi ilave güvenlik önlemleri belirleyin.

Koruyucu kulaklık kullanın. Gürültü etkisi işitme kaybını etkiler.



Tür

Cihazın tanımı

- | | |
|--------------------------------|--------------------|
| ① Yan kavrama | ⑨ Kumanda anahtarı |
| ② Lokma başlığı kilit halkası | ⑩ Tork iletimi |
| ③ Destek kolu bağlantı noktası | ⑪ Hız seçici |
| ④ Taşıma tutamağı | ⑫ Destek kelepçesi |
| ⑤ Dahili pil | ⑬ Sıkma kolu |
| ⑥ ONE KEY göstergesi | ⑭ Destek kolu |
| ⑦ Pil paketi | ⑮ Çeneler |
| ⑧ Tetik | |

⚠ UYARI

Cihazla birlikte gelen tüm güvenlik uyarılarını, talimatları, çizimleri ve bilgileri okuyun. Aşağıdaki talimat hükümlerine uymadığınız takdirde elektrik çarpması, yangın veya ağır yaralanma tehlikesi ile karşılaşabilirsiniz.

Bütün uyarıları ve talimat hükümlerini ileride kullanmak üzere saklayın.

⚠ BORU DIŞ AÇICILARI İÇİN GÜVENLİK TALIMATLARI

- Her zaman aletle birlikte sağlanan destek cihazını kullanın. Operasyon sırasında kontrol kaybı kişisel yaralanmayla sonuçlanabilir.
- Aleti çalıştırırken kol yenerininin ve ceketlerin düğmelenmiş olmasına dikkat edin. Aletin veya borunun üzerinde uzanmayın. Giysilerin boruya ya da alete yakalanması dolaşıklıkla yol açabilir.
- İş süreci ve alet operasyonu sadece bir kişi tarafından denetlenmelidir. Sürece ilave kişilerin katılımı istenmeyen operasyonla ve kişisel yaralanmayla sonuçlanabilir.
- Zeminleri kuru ve yağ gibi kaygan maddelerden arınmış muhafaza edin. Kaygan zeminler kazaları davet eder.

Ek güvenlik ve çalışma talimatları

- Diş açar ya da lokma başlığı borudan çıkarırken, güçlere direnmek için kullanılan destek cihazına bakmaksızın aleti sıkıca tutun. Bu durum çarpma, ezilme ve benzeri yaralanma riskini azaltacaktır.
- Aşınma, körelme ya da hasar belirtisi gösteren lokmaları kullanmayın. Keskin kesici aletler daha az tork gerektirdiği gibi, aletin kontrolü de kolaylaşır.
- Sadece şunları kullanın:**
 - Rems Quick change 1/8" ... 2" (çabuk değişir)
 - Rothenberger Lokma Başlıkları 1/4" ... 2" (çabuk değişir)
 - Ridgid 11-R 1/4" ... 2" (çabuk değişir)
 - Ridgid 12-R
- Metalin metali aşındırmasını engellemek için lokma başlıklarını aletin içinde tutmayın.**
- Aletleri kullanırken daima sağduyulu davranın ve dikkatli olun.** Tehlike doğurabilecek her durumu önceden tahmin etmek mümkün değildir. Bu işletme talimatlarını anlamıyor veya işin sizin becerilerinizin ötesinde olduğunu hissediyorsanız, ilave bilgi ya da eğitim almak için Milwaukee Tool veya eğitimli bir uzmanla irtibata geçin.
- Etiket ve model levhalarını yerlerinden sökmeyin.** Bu levhalar üzerinde önemli bilgiler bulunmaktadır. Uyarı levhaları okunaksız bir duruma geldiye veya kaybolduysa, ücretsiz olarak yenilerini alabilmek için MILWAUKEE Müşteri Servisine başvurun.

⚠ UYARI

Elektrikli zımparalama, testereleme, taşlama, delme ve diğer yapı faaliyetlerinden kaynaklanan bazı tozlar kansere, doğum kusurlarına veya başka üreme bozukluklarına neden olduğu bilinen kimyasallar içerir. Bu kimyasallardan bazıları şunlardır:

- kurşun bazlı boyadan kaynaklanan kurşun
 - tuğla, çimento ve diğer duvarcılık ürünlerinden kaynaklanan kristal silika ve
 - kimyasal işlem görmüş keresteden kaynaklanan arsenik ve krom.
- Bu malzemelere maruz kalmaktan ötürü oluşan risk, bu tür işleri ne sıklıkta yaptığımıza bağlı olarak değişir. Bu kimyasallara daha az maruz kalmak için, iyi havalandırılmış bir alanda ve mikroskobik parçacıkları filtrelemek için özel olarak tasarlanmış toz maskeleri gibi onaylı güvenlik ekipmanları kullanarak çalışın.

KULLANIM

Bu alet 2" boyuta kadar sağ ve sol döneli boru ve somun dişleri açmak üzere tasarlanmıştır. Kullanım amacı dışındaki kullanımlar yasaktır.

MONTAJ

⚠ UYARI

Sadece bu alet için özellikle tavsiye edilen aksesuarları kullanın. Diğerleri tehlikeli olabilir.

Lokma Başlıklarının Takılması / Çıkarılması

Lokma başlığı aletin her iki ucundan sokulabilir. Başlık/adaptör aletin doğru ucundan sokulmuş olmalıdır.

- Pil paketini çıkarın.
- Lokma başlıklarını/adaptörleri gösterildiği gibi toplayın

Türkçe

3. Bir kesime başlamadan önce mutlaka başlığın alet içine kilitlenip kilitlenmediğini kontrol edin.
4. Çıkarmak için lokma başlığı kilit halkasını açın ve başlığı aletten çekin.

ÇALIŞMA

Diş Açma Güçlerine Direnme

Her zaman aletle birlikte sağlanan destek cihazını kullanın. Destek kolu boruya kenetlenir ve diş açma güçlerine direnmenize yardımcı olur.

UYARI! Operasyon sırasında kontrol kaybı kişisel yaralanmayla sonuçlanabilir.

Hız Seçimi

Hız seçici gövdenin tepesindedir. Hız değiştirmeden önce, aletin bütünüyle durmasını bekleyin.

Kumanda Anahtarının kullanılması

Kumanda anahtarı üç konuma ayarlanabilir: Saat yönünde, saat yönünün tersine ve kilit. Kumanda anahtarını kullanmadan önce, mutlaka aletin bütünüyle durmasını bekleyin.

Saat yönünde dönüş için, kumanda anahtarına aletin sol tarafından basın. **Kullanmadan önce, dönüş yönünü kontrol edin.**

Lokma aletin sol (ön) tarafından sokulduğunda, bu dönüş yönü sağa dönüşlü dişler açacaktır.

Saat yönünün tersine dönüş için, kumanda anahtarına aletin sağ tarafından basın. **Kullanmadan önce, dönüş yönünü kontrol edin. Lokma aletin sağ (arka) tarafından sokulduğunda, bu dönüş yönü sağa dönüşlü dişler açacaktır.**

Bakım yapmadan, aksesuar değiştirmeden, aleti depolamadan önce ve aletin kullanılmadığı sürelerde mutlaka tetiği kilitleyin ya da pil paketini çıkarın.

Diş açma

Boruyu gerektiği gibi hazırlayın. Borunun düz kesildiğinden ve çapaklarının temizlendiğinden emin olun. Borunun açıyla kesilmesi diş açma sırasında lokmalara hasar verebilir ve lokma başlığının takılmasında güçlük yaratabilir. Kullanım sırasında devrilmesini önlemek için borunun sabit ve sıkıca tespit edilmiş olması gerekir. Boruyu boyunca desteklemek için uygun boru ayakları kullanın.

UYARI! Aleti çalıştırırken mücevher takmayın, bol giysiler giymeyin ya da paçavra kullanmayın. Hareketli aksamı iterken ya da yakınında çalışırken takılabilecek eldivenler giymeyin; dolaşmaya ve yaralanmaya yol açabilir. Lokmalar boruyu kavradıktan sonra kendilerini borunun ucuna doğru çekeceklerinden, dişler açılacaktır.

UYARI! Alet güçlerine direnmek için aleti mutlaka sıkıca kavrayın. Destek cihazları ender durumlarda kayabilir ve aletin hareket etmesine yol açabilir.

Bölgeye bolca diş açma yağı uygulamak için bir yağdanlık kullanın. Bu durum gerekli diş açma torkunu düşürür, diş kalitesini geliştirir ve lokma ömrünü uzatır.

UYARI! Döküntüler keskin olabilir. Güvenli bir çalışma ortamı için her türlü yağ birikintisini temizleyin.

Sola Dönüslü Dişler için saat yönünde/saat yönünün tersine seçimlerini tersine çevirin.

Dişlerin İncelenmesi/Halka Master Kullanılması

1. Diş üzerindeki her türlü yağı, kırıntıyı ya da döküntüyü silin.
2. Dişi inceleyin. Dişlerin yumuşak, eksiksiz ve düzgün şekilli olması gerekir. Diş kopuğu, ince diş veya boru yuvarlaklığının bozulması gibi düzensizlikler görülüyorsa, diş sızdırmazlık sağlayamayabilir.
3. Bir dişin boyutunu halka masterla kontrol etmek için masterı boruya vidalayın ve elle sıkın. Borunun ucu masterın kenarıyla bir hizada (artı/eksi bir tur) olmalıdır. Diş düzgün masterlanmıyorsa, diş kesip ayırın, lokma başını ayarlayın ve yeni bir diş açın. **UYARI!** Düzgün masterlanmayan bir diş kullanmak sızıntılara neden olabilir.

BAKIM

Aletin kendinde bir çalışma yapmadan önce kartuş aküyü çıkarın. Boru dişi açıcıyı, çıkarılabilir pili ya da şarj cihazını asla açmayın.

Boru dişi açıcıyı gürültü veya hareketli aksamda aleti etkileyebilecek sıkışmalar gibi sorunlar yönünden kontrol edin.

Kesme aletlerinin çatlak ve diğer aşınma belirtileri yönünden kontrol edin.

Açıklıklardaki toz ve döküntüleri temizleyin. Tutamağı temiz, kuru, yağsız ve gressiz tutun. Bazı temizleme maddeleri ve solventler plastiklere ve diğer yalıtımlı parçalara zarar verdiğinden, temizlemek için sadece yumuşak sabun ve nemli bir bez kullanın. Bu maddeler arasında benzin, terebentin, lake tineri, tiner, klorlu temizleme solventleri, amonyak ve amonyak içeren ev deterjanları yer alır. Aletlerin çevresine asla yanabilir veya tutuşabilir solvent kullanmayın.

Lokmaların keskin olup olmadığını kontrol edin, aşınmış lokmaları hep takım olarak değiştirin.

Ağızları bozulmuş ya da hasarlı lokmaları değiştirin.

Lokmaları hep takım olarak değiştirin.

Yaralanma ve hasarları önlemek için aleti, çıkarılabilir pili veya şarj cihazını asla bir sıvıya batırmayın, içlerine sıvı girmesine izin vermeyin.

Aletin havalandırma aralıklarını daima temiz tutun.

Diğer bakım ve tamir işleri sadece yetkili tamirhaneler tarafından yapılabilir.

Sadece Milwaukee aksesuarı ve yedek parçası kullanın. Nasıl değiştirileceği açıklanmamış olan yapı parçalarını bir Milwaukee müşteri servisinde değiştirin (Garanti ve servis adresi broşürüne dikkat edin).

Gerektiği takdirde aletin günlük görünüş şeması, alet tipinin ve tip etiketi üzerindeki sayının bildirilmesi koşuluyla müşteri servisinden veya doğrudan Techtronic Industries GmbH, Max-Eyth-Strasse 10, 71364 Winnenden, Germany adresinden istenebilir.



Tür

ONE-KEY™

Bu cihazın ONE-KEY işlevi hakkında daha fazla bilgi edinmek için ekteki Hızlı Başlangıç Kılavuzunu okuyun ya da <http://www.milwaukeeetool.com/one-key> adresini ziyaret edin. ONE-KEY uygulamasını App Store ya da Google Play aracılığıyla akıllı telefonunuza indirebilirsiniz.

Kontrol sonucu EN 301 489-1 / EN 301 489-17 standardına göre asgari taleplerimizi yerine getirmektedir. İşletim kılavuzunu kullanma kılavuzuyla birlikte müşteriye sunacağız.

AKÜ

Uzun süre kullanım dışı kalmış kartuş aküleri kullanmadan önce şarj edin.

50°C üzerindeki sıcaklıklar kartuş akünün performansını düşürür. Akünün güneş ışığı veya mekân sıcaklığı altında uzun süre ısınmasına dikkat edin.

Şarj cihazı ve kartuş aküdeki bağlantı kontaklarını temiz tutun.

Akünün ömrünün mükemmel bir şekilde uzun olması için kullandıktan sonra tamamen doldurulması gerekir.

Ömrünün mümkün olduğu kadar uzun olması için akülerin yüklemeye yapıldıktan sonra doldurma cihazından uzaklaştırılması gerekir.

Akünün 30 günden daha fazla depolanması halinde:

Aküyü takriben 27°C'de kuru olarak depolayın.

Aküyü yüklemeye durumunun takriben % 30 - %50 olarak depolayın.

Aküyü her 6 ay yeniden doldurun.

Şarj cihazının kartuş akü yuvasına hiçbir şekilde metal parçalar kaçmamalıdır (kısa devre tehlikesi).

AKÜNÜN AŞIRI YÜKLENMEYE KARŞI KORUNMASI

Pek fazla elektrik tüketimi yapılmak suretiyle aküye fazla yüklenildiğinde, örneğin aşırı devir momentleri, matkap sıkıştırması, aniden durma veya kısa devre, elektrikli alet 2 saniye garip sesler çıkarır ve kendiliğinden durur.

LİTYUM İYON PİLLERİN TAŞINMASI

Lityum iyon piller tehlikeli madde taşımacılığı hakkındaki yasal hükümler tabidir.

Bu piller, bölgesel, ulusal ve uluslararası yönetmeliklere ve hükümlere uyularak taşınmak zorundadır.

Tüketiciler bu pilleri herhangi bir özel şart aranmaksızın karayoluyla taşıyabilirler.

Lityum iyon pillerin nakliye şirketleri tarafından ticari taşımacılığı için tehlikeli madde taşımacılığının hükümleri geçerlidir. Sevk hazırlığı ve taşıma sadece ilgili eğitimi görmüş personel tarafından gerçekleştirilebilir. Bütün süreç uzmanca bir refakatçilik altında gerçekleştirilmek zorundadır.

Pillerin taşınması sırasında aşağıdaki hususlara dikkat edilmesi gerekmektedir:

Kısa devre oluşmasını önlemek için kontakların korunmuş ve izole edilmiş olmasını sağlayınız. Pil paketinin ambalajı içinde kaymamasına dikkat ediniz. Hasarlı veya akmış pillerin taşınması yasaktır. Ayrıca bilgiler için nakliye şirketinize başvurunuz.

CE UYGUNLUK BEYANI

"Teknik veriler" başlığı altında tanımlanan ürünün, sayılı direktiflerdeki tüm hükümleri

2011/65/EU (RoHS)

2006/42/EC

2014/53/ EU

uyumlaştırılmış standartları

EN 62841-1:2015

EN 62841-2-9:2015

EN 55014-1:2017+A11:2020

EN 55014-2:2015

EN 301 489-1 V2.2.3

EN 301 489-17 V3.1.1

EN 300 328 V2.2.2

EN 62479:2010

EN IEC 63000:2018



Winnenden, 2020-11-09

Alexander Krug / Managing Director

Teknik evrakları hazırlamakla görevlendirilmiştir.

Techtronic Industries GmbH

Max-Eyth-Straße 10, 71364 Winnenden, Germany



SEMBOLLER



DİKKAT! UYARI! TEHLİKE!



Aletin kendinde bir çalışma yapmadan önce kartuş aküyü çıkarın.



Ellerinizi hareketli aksamdan uzak tutun.



Lütfen aleti çalıştırmadan önce kullanma kılavuzunu dikkatli biçimde okuyun.



Aletle çalışırken daima koruyucu gözlük kullanın.



Her zaman destek kolu kullanın.



Her zaman deri eldiven giyin.



Bu cihaz, düğme tipi/yassı lityum pil içerir.



Volтаж



Doğru akım



Elektrikli cihazların, pillerin/akülerin evsel atıklarla birlikte bertaraf edilmesi yasaktır. Elektrikli cihazlar ve aküler ayrılarak biriktirilmeli ve çevreye zarar vermeden bertaraf edilmeleri için bir atık değerlendirme tesisine götürülmelidirler. Yerel makamlara veya satıcınıza geri dönüşüm tesisleri ve atık toplama merkezlerinin yerlerini danışınız.



Avrupa uyumluluk işareti



Britanya uyumluluk işareti



Ukrayna uyumluluk işareti



Avrasya uyumluluk işareti



Tür

TECHNICKÁ DATA Závítník trubek	M18 FPT2
Výrobní číslo	4773 51 01 000001-999999
Frekvenční pásmo (frekvenční pásma) Bluetooth	2402 - 2480 MHz
Vysokofrekvenční	1,8 dBm
Verze Bluetooth	4.0 BT signal mode
Akumulátorová technologie	Li-Ion
Napětí výměnného akumulátoru	18 V
Jmenovité otáčky	
1. převod	0 min ⁻¹ ... 29 min ⁻¹
2. převod	0 min ⁻¹ ... 41 min ⁻¹
Kapacita	
1. převod	1 1/2" ... 2" 32 mm ... 50 mm
2. převod	1/8" ... 1 1/4" 3 mm ... 30 mm
Závitožezné hlavice	Ridgid 12-R
Hmotnost podle prováděcího předpisu EPTA 01/2014 (Li-Ion 2.0 Ah ... 12.0 Ah)	10,54 kg ... 11,60 kg
Doporučená teplota okolí pro provoz	-18 °C ... +50 °C
Doporučené akupaky	M18B... min. 6.0 Ah M18HB...
Doporučené nabíječky	M12-18..., M1418C6
Informace o hluku	
Naměřené hodnoty odpovídají EN 62841. V třídě A posuzovaná hladina hluku přístroje činí typicky:	
Hladina akustického tlaku (Kolisavost K=3dB(A))	74,2 dB(A)
Hladina akustického výkonu (Kolisavost K=3dB(A))	85,2 dB(A)
Používejte chrániče sluchu !	
Informace o vibracích	
Celkové hodnoty vibrací (vektorový součet tří směrů) zjištěnéve smyslu EN 62841.	
Hodnota vibračních emisí a _{hmax}	1,6 m/s ²
Kolisavost K=	1,5 m/s ²



VAROVÁNÍ!

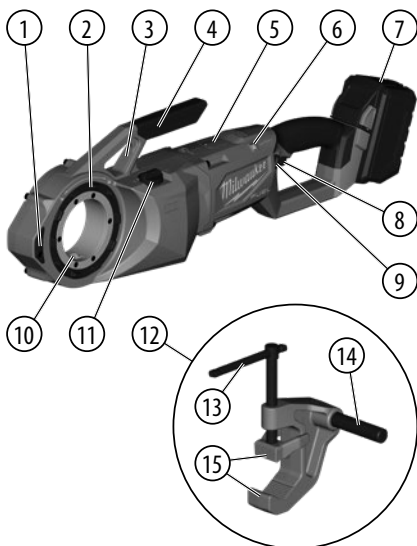
Hladina vibrací a emisí hluku uvedená v tomto informačním listu byla měřena v souladu se standardizovanou zkouškou uvedenou v normě EN 62841 a může být použita ke srovnání jednoho nástroje s jiným. Může být použita k předběžnému posouzení expozice.

Deklarovaná úroveň vibrací a emisí hluku představuje hlavní použití nástroje. Pokud se však nástroj používá pro různé aplikace, s různým příslušenstvím nebo s nedostatečnou údržbou, mohou se vibrace a emise hluku lišit. To může výrazně zvýšit úroveň expozice v průběhu celé pracovní doby.

Odhad úrovně expozice vibracím a hluku by měl také vzít v úvahu dobu, kdy je nástroj vypnutý nebo když běží, ale ve skutečnosti neprovádí úlohu. To může výrazně snížit úroveň expozice v průběhu celé pracovní doby.

Identifikujte dodatečná bezpečnostní opatření k ochraně pracovníka obsluhy před účinky vibrací a/nebo hluku, například: údržba nástroje a příslušenství, udržování rukou v teple, organizace pracovních schémat.

Používejte chrániče sluchu. Nadměrný hluk může vést ke ztrátě sluchu.



Popis zařízení

- | | |
|--|----------------------------|
| 1 Boční uchycení | 8 Spoušť |
| 2 Pojistný kroužek závitorezné hlavice | 9 Ovládací spínač |
| 3 Výztužný bod podpěrného ramena | 10 Přenos točivého momentu |
| 4 Přenášecí rukojeť | 11 Volič rychlosti |
| 5 Vnitřní baterie | 12 Podpěrná svorka |
| 6 Indikátor ONE KEY | 13 Utahovací rameno |
| 7 Akumulátor | 14 Podpěrné rameno |
| | 15 Čelisti |

VAROVÁNÍ

Přečtěte si všechny bezpečnostní pokyny, instrukce, popis a údaje, které obdržíte s přístrojem. Pokud následující pokyny nedodržíte, může to vést k úderu elektrickým proudem, požáru nebo těžkým poraněním.

Všechna varovná upozornění a pokyny do budoucna uschovejte.

BEZPEČNOSTNÍ POKYNY PRO ZÁVITNÍK TRUBEK

- Vždy používejte podpěrné zařízení dodávané s nástrojem. Ztráta kontroly během provozu může mít za následek zranění osob.
- Během práce s nástrojem mějte zapnuté rukávy a oděvy. Nesahejte nad nástroj nebo trubku. Oděv může být zachycen trubkou nebo nástrojem, což by vedlo k zaplétení.
- Pracovní proces a provoz nástroje musí ovládat pouze jedna osoba. Další osoby zapojené do procesu mohou způsobit nezamýšlený provoz a zranění osob.
- Podlahy udržujte suché a bez kluzkých materiálů, jako je olej. Kluzká podlaha může způsobovat nehody.

Další bezpečnostní a pracovní pokyny

- Při závitování nebo stahování závitorezné hlavice z trubky držte nástroj pevně, aby odolal silám bez ohledu na použité podpěrné zařízení. Tím se sníží riziko nárazu, přímáčknutí a dalších zranění.

- Nepoužívejte matrice, které vykazují známky opotřebení, ztupení nebo poškození. Ostré rezní nástroje vyžadují menší točivý moment a ovládání nástroje je snazší.

Používejte pouze:

- Rems Quick change 1/8" ... 2" (s kroužky adaptéru)
- Rothenberg Závitořezné hlavice 1/4" ... 2" (s kroužky adaptéru)
- Ridgid 11-R 1/4" ... 2" (s kroužky adaptéru)
- Ridgid 12-R

Neskladujte závitorezné hlavice v nástroji, aby nedošlo k opotřebení kovu.

- Vždy používejte zdravý rozum a buďte opatrní při používání nářadí.** Není možné předvídat každou situaci, která by mohla vést k nebezpečným důsledkům. Nepoužívejte toto nářadí, pokud nerozumíte tomuto návodu k obsluze nebo pokud máte pocit, že práce je nad rámec Vašich schopností. Obráťte se na Milwaukee Tool nebo vyškolený profesionál pro další informace nebo školení.

- Etikety a typové štítky neodstraňujte. Tyto štítky obsahují důležité informace.** Pokud jsou tyto štítky nepřečitelné nebo chybějící, obraťte se na servisní centrum pro zákazníky spol. MILWAUKEE, abyste bezplatně získali jejich náhradu.

VAROVÁNÍ

Některý prach vytvořený silovým broušením, řezáním, broušením, vrtáním a jinými stavebními činnostmi obsahuje chemikálie, o kterých je známo, že způsobují rakovinu, vrozené vady nebo jiné reprodukční chyby. Některé příklady těchto chemikálií jsou:

- olovo z nátěrů na bázi olova
- krystalický křemen z cihel a cementu a jiných zdících výrobků a
- arsen a chrom z chemicky ošetřovaného řeziva.

Vaše riziko z těchto expozic se liší v závislosti na tom, jak často děláte tento typ práce. Pro snížení Vaší expozice těmto chemikáliím: pracujte v dobře větraném prostoru a pracujte se schváleným bezpečnostním vybavením, jako jsou masky na ochranu proti prachu, které jsou speciálně určeny k filtrování mikroskopických částic.

OBLAST VYUŽITÍ

Tento nástroj je určen pro řezání trubkových závitů a šroubových závitů pro pravotočivé a levotočivé závitů do velikosti 2". Jiná použití, která nejsou určena k zamýšlenému účelu, jsou zakázána.

MONTÁŽ

VAROVÁNÍ

Používejte pouze příslušenství výslovně doporučené pro tento nástroj. Ostatní mohou být nebezpečná.

Instalace a odebrání závitoreznych hlavice

Závitorezná hlavice může být vložena z obou stran nástroje.

Závitorezná hlavice/adaptér musí být vložena ze správné strany nástroje.

- Vyjmete akumulátor.
- Sestavte závitoreznou hlavice/adaptéry podle obrázků
- Před zahájením řezu vždy zkontrolujte, zda je závitorezná hlavice zajištěna v nástroji.



4. Chcete-li ji odstranit, odemkněte pojistný kroužek závitorežné hlavice a vytáhněte závitorežnou hlavici z nástroje.

PROVOZ

Opatření proti závitovým silám

Vždy používejte podpěrné zařízení dodávané s nástrojem. Podpěrné rameno se upíná k trubce a pomáhá odolávat závitovým silám.

VAROVÁNÍ! Ztráta kontroly během provozu může mít za následek zranění osob.

Volba rychlosti

Volíči rychlosti je na horní straně pouzdra. Před změnou rychlosti nechte nástroj zcela zastavit.

Použití ovládacího spínače

Ovládací spínač lze nastavit do tří poloh: ve směru hodinových ručiček, proti směru hodinových ručiček a aretace. Před použitím ovládacího spínače vždy nechte motor zcela zastavit.

Pro otáčení ve směru hodinových ručiček zatlačte ovládací spínač z levé strany nástroje. **Před použitím zkontrolujte směr otáčení. Pokud je závitorežná hlavice zasunuta z levé (přední) strany nástroje, vytvoří toto otáčení pravotočivé závity.**

Pro otáčení proti směru hodinových ručiček zatlačte ovládací spínač z pravé strany nástroje. **Před použitím zkontrolujte směr otáčení. Pokud je závitorežná hlavice zasunuta z pravé (zadní) strany nástroje, vytvoří toto otáčení pravotočivé závity.**

Před prováděním údržby, výměnou příslušenství, uskladněním nástroje a kdykoli nástroj nepoužíváte, vždy zajistěte spouštěcí spínač nebo vyjměte baterii.

Závitování

Trubku správně připravte. Ujistěte se, že je trubka rovně odříznutá a odjehlná. Řezání trubek pod úhlem může poškodit závitorežné hlavice při závitování a může způsobit její obtížné napojení. Trubka musí být stabilní a zajištěná, aby se během používání nepřevrátila. K podélnému podepření trubky použijte vhodné stojany.

VAROVÁNÍ! Při práci s nástrojem nenoste šperky, volný oděv ani nepoužívejte hadry. Při tlačením na pohyblivé části nebo v jejich blízkosti nenoste rukavice náchylné k zachycení; tím se zvyšuje riziko zapletení a zranění. Jakmile závitorežné hlavice zapadnou do trubky a jsou přitaženy ke konci trubky, dojde k zahájení závitování.

VAROVÁNÍ! Nástroj vždy pevně držte, abyste udrželi síly nástroje. Podpůrná zařízení by mohla ve výjimečných případech sklouznout a umožnit pohyb nástroje.

Při řezání závitu naneste pomocí olejničky na dané místo dostatečné množství oleje. To sníží potřebný točivý moment závitování, zlepší kvalitu závitu a prodlouží životnost závitorežné hlavice.

VAROVÁNÍ! Řezy mohou být ostré. Odstraňte veškerý rozlitý olej, abyste udrželi bezpečné pracovní prostředí.

U levotočivých závětů otočte volíče ve směru hodinových ručiček / proti směru hodinových ručiček.

Kontrola závětů / použití kruhového měřidla

1. Ze závětu oťete veškerý olej, ořepy nebo nečistoty.
2. Zkontrolujte závět. Závět by měl být hladký, úplný a dobře tvarovaný. Pokud jsou vidět nepravidelnosti, například došlo ke stržení závětu, závět je tenký nebo vidíte neokrouhlost trubky, nemusí závět těsnit.
3. Chcete-li zkontrolovat velikost závětu pomocí kruhového měřidla, našroubujte měřidlo na trubku a ručně dotáhněte. Konec trubky by měl být v jedné rovině s boční stranou měřidla (plus nebo minus jedno otočení). Pokud se měřením zjistí vada, závět odřízněte, upravte závitorežnou hlavici a vyřežte nový závět. **VAROVÁNÍ!** Použití závětu, který nemá správné rozměry, může způsobit netěsnosti.

ÚDRŽBA

Před zahájením veškerých prací na vrtacím šroubováku vyjmout výměnný akumulátor.

Nikdy neotvírejte závitník trubek, výjimatelnou baterii nebo nabíječku.

Zkontrolujte závitník trubek, zda nevykazuje vady, jako je hluk nebo zablokované pohyblivé části, které by mohly mít vliv na nástroj.

Zkontrolujte praskliny a další známky opotřebení řezacích nástrojů.

Vyčistěte prach a úlomky z otvorů. Rukojeť udržujte čistou, suchou a bez oleje nebo mastnoty. K čištění použijte pouze jemné mýdlo a navlhčenou tkaninu, protože některé čisticí prostředky a rozpouštědla škodí plastům a jiným izolovaným částem. Některé z nich jsou benzín, terpentýn, ředidlo na lak, ředidlo na barvy, chlorované čisticí rozpouštědla, amoniak a čisticí prostředky pro domácnost obsahující amoniak. Nikdy nepoužívejte hořlavá nebo zápalná rozpouštědla kolem nářadí.

Zkontrolujte, zda jsou závitorežné hlavice ostré a opotřebované závitorežné hlavice vyměňte vždy jako kompletní sadu.

Vyměňte matrice, když jsou odštipnuté nebo poškozené.

Závitorežné hlavice vždy vyměňujte jako kompletní sadu.

Aby nedošlo ke zranění nebo poškození, neponořujte nikdy nástroj, výjimatelnou baterii nebo nabíječku do kapaliny a nedovolte, aby do nich nějaká kapalina vnikla.

Větrací štěrbiny nářadí udržujeme stále čisté.

Další servisní a opravárenské práce mohou provádět pouze autorizované odborné provozovny.

Používat výhradně příslušenství Milwaukee a náhradní díly Milwaukee. Díly jejichž výměny nebyla popsána, nechte vyměnit v autorizovaném servisu (viz. "Záruky / Seznam servisních míst")

Při potřebě podrobného rozkresu konstrukce, oslovte informaci o typu a čísle přímo servis a nebo výrobce, Techtronic Industries GmbH, Max-Eyth-Straße 10, 71364 Winnenden, Germany.

ONE-KEY™

Pokud se chcete dozvědět více o funkcionalitě ONE-KEY tohoto zařízení, podívejte se prosím do Průvodce rychlým startem, který je součástí tohoto výrobku nebo jděte na <http://www.milwaukeetool.com/one-key>

Aplikaci ONE-KEY si můžete stáhnout na Váš smartphone z App Store nebo Google Play.

Výsledek zkoušky splňuje naše minimální požadavky v souladu s normami EN 301 489-1 / EN 301 489-17. A zákazníkovi dáme provozní pokyny v uživatelské příručce.

AKUMULÁTORY

Děle nepoužívané akumulátory je nutné před použitím znovu nabít.

Teplota přes 50°C snižuje výkon akumulátoru. Chraňte před dlouhým přehříváním na slunci či u topení.

Kontakty nabíječky a akumulátoru udržujte v čistotě.

Pro optimální životnost je nutné akumulátory po použití plně dobít.

K zabezpečení dlouhé životnosti by se akumulátory měly po nabíti vyjmout z nabíječky.

Při skladování akumulátoru po dobu delší než 30 dní:

Skladujte akumulátor v suchu při cca 27°C.

Skladujte akumulátor při cca 30%-50% nabíjecí kapacity.

Opakujte nabíjení akumulátoru každých 6 měsíců.

V nabíjecím postu nabíječky neskladujte kovové předměty, nebezpečí zkratu.

OCHRANA PROTI PŘETÍŽENÍ AKUMULÁTORU

Při přetížení akumulátoru příliš vysokým odběrem proudu, například při extrémně vysokých točivých momentech, při blokování vrtáku, náhlém zastavení nebo zkratu, začne vrtačka na 2 sekundy bruchet a poté se samočinně vypne.

PŘEPRAVA LITHIUM-IONTOVÝCH BATERÍ

Lithium-iontové baterie spadají podle zákonných ustanovení pod přepravu nebezpečného nákladu.

Přeprava těchto baterií se musí realizovat s dodržováním lokálních, vnitrostátních a mezinárodních předpisů a ustanovení.

Spotřebitelé mohou tyto baterie bez problémů přepravovat po komunikacích.

Komerční přeprava lithium-iontových baterií prostřednictvím přepravních firem podléhá ustanovením o přepravě nebezpečného nákladu. Přípravu k vyexpedování a samotnou přepravu směji vykonávat jen příslušně vyškolené osoby. Na celý proces se musí odborně dohlížet.

Při přepravě baterií je třeba dodržovat následující:

Zajistěte, aby kontakty byly chráněné a izolované, aby se zamezilo zkratům. Dávejte pozor na to, aby se svazek baterií v rámci balení nemohl sesmeknout. Poškozené a vyteklé baterie se nesmějí přepravovat. Ohledně dalších informací se obraťte na vaši přepravní firmu.

CE-PROHLÁŠENÍ O SHODĚ

Prohlašujeme na naši výhradní odpovědnost, že produkt popsán v části „Technické údaje“ splňuje všechna příslušná ustanovení směrnice

2011/65/EU (RoHS)

2006/42/ES

2014/53/EU

a byly použity následující harmonizované normy

EN 62841-1:2015

EN 62841-2-9:2015

EN 55014-1:2017+A11:2020

EN 55014-2:2015

EN 301 489-1 V2.2.3

EN 301 489-17 V3.1.1

EN 300 328 V2.2.2

EN 62479:2010

EN IEC 63000:2018



Winnenden, 2020-11-09

Alexander Krug / Managing Director

Zplnomocněn k sestavování technických podkladů.

Techtronic Industries GmbH

Max-Eyth-Straße 10, 71364 Winnenden, Germany



SYMBOLY



POZOR! VAROVÁNÍ! NEBEZPEČÍ!



Před zahájením veškerých prací na vrtacím šroubováku vyjmout výměnný akumulátor.



Nesahejte rukama do blízkosti pohyblivých částí.



Před spuštěním stroje si pečlivě přečtěte návod k používání.



Při práci se strojem neustále nosit ochranné brýle.



Vždy používejte podpěrné rameno.



Vždy noste kožené rukavice.



Toto zařízení obsahuje knoflíkovou/mincovou lithiovou baterii.

V

napětí



Stejnoseměrný proud



Elektrická zařízení, baterie/akumulátory se nesmí likvidovat společně s odpadem z domácností. Elektrická zařízení, baterie/akumulátory je třeba sbírat odděleně a odevzdat je v recyklačním podniku na ekologickou likvidaci. Na místních úřadech nebo u vašeho specializovaného prodejce se informujte na recyklační podniky a sběrné dvory.



Značka shody v Evropě



Značka shody v Británii



Značka shody na Ukrajině



Značka shody pro oblast Eurasie

TECHNICKÉ ÚDAJE Závitník rúrok	M18 FPT2
Výrobné číslo	4773 51 01 000001-999999
Frekvenčné pásmo (frekvenčné pásma) Bluetooth	2402 - 2480 MHz
Vysokofrekvenčný	1,8 dBm
Verzia Bluetooth	4.0 BT signal mode
Akumulátorová technológia	Li-Ion
Napätie výmenného akumulátora	18 V
Menovitý počet obrátok	
1. Prevod	0 min ⁻¹ ... 29 min ⁻¹
2. Prevod	0 min ⁻¹ ... 41 min ⁻¹
Kapacita	
1. Prevod	1 1/2" ... 2" 32 mm ... 50 mm
2. Prevod	1/8" ... 1 1/4" 3 mm ... 30 mm
Závitové hlavy	Ridgid 12-R
Hmotnosť podľa vykonávacieho predpisu EPTA 01/2014 (Li-Ion 2.0 Ah ... 12.0 Ah)	10,54 kg ... 11,60 kg
Odporúčaná teplota okolia pre prevádzku	-18 °C ... +50 °C
Odporúčané akupaky	M18B... min. 6.0 Ah M18HB...
Odporúčané nabíjačky	M12-18..., M1418C6
Informácia o hluku	
Namerané hodnoty určené v súlade s EN 62841. V triede A posudzovaná hladina hluku prístroja číni typicky:	
Hladina akustického tlaku (Kolísavosť K=3dB(A))	74,2 dB(A)
Hladina akustického výkonu (Kolísavosť K=3dB(A))	85,2 dB(A)
Používajte ochranu sluchu!	
Informácie o vibráciách	
Celkové hodnoty vibrácií (vektorový súčet troch smerov) zistených zmysle EN 62841.	
Hodnota vibračných emisií a _{hmax}	1,6 m/s ²
Kolísavosť K=	1,5 m/s ²



POZOR!

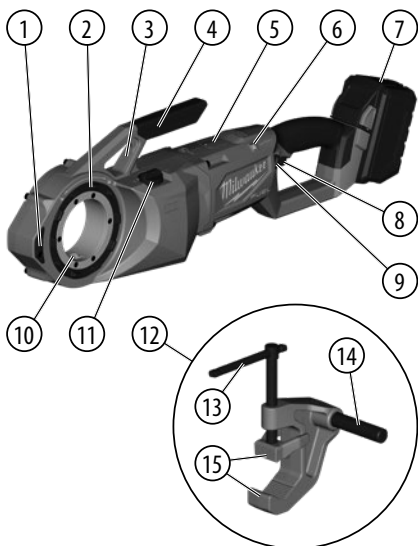
Úroveň vibrácií a emisií hluku uvedená v tomto informačnom liste bola meraná v súlade so štandardizovanou skúškou uvedenou v EN 62841 a môže sa použiť na porovnanie jedného nástroja s druhým. Môže sa použiť v predbežnom posúdení expozície.

Deklarovaná úroveň vibrácií a emisií hluku predstavuje hlavné aplikácie nástroja. Ak sa však nástroj používa pre rôzne aplikácie, s rôznym príslušenstvom alebo s nedostatočnou údržbou, môžu sa vibrácie a emisie hluku líšiť. To môže výrazne zvýšiť úroveň expozície počas celej pracovnej doby.

Odhad úroveň expozície vibráciám a hluku by mal tiež brať do úvahy čas, keď je nástroj vypnutý alebo keď beží, ale v skutočnosti nevykonáva prácu. To môže výrazne znížiť úroveň expozície počas celej pracovnej doby.

Identifikujte dodatočné bezpečnostné opatrenia na ochranu pracovníka obsluhy pred účinkami vibrácií a/alebo hluku, ako je: údržba nástroja a príslušenstva, udržanie teplých rúk, organizácia pracovných schém.

Používajte ochranu sluchu. Nadmerný hluk môže viesť k strate sluchu.



Slov

Opis zariadenia

- | | | | |
|---|------------------------------------|----|---------------------------|
| 1 | Bočné uchopenie | 9 | Ovládací spínač |
| 2 | Zaistovacie krúžky závitovej hlavy | 10 | Prenos krútiaceho momentu |
| 3 | Bod vystuženia podperného ramena | 11 | Volič rýchlosti |
| 4 | Rukoväť na prenášanie | 12 | Podperná svorka |
| 5 | Vnútoraná batéria | 13 | Stahovacie rameno |
| 6 | Indikátor ONE KEY | 14 | Podporné rameno |
| 7 | Akumulátor | 15 | Kliešte |
| 8 | Spúšťač | | |

⚠ POZOR

Prečítajte si všetky bezpečnostné upozornenia, pokyny, vyzbavenia a údaje, ktoré dostanete spolu s prístrojom. Ak by ste nedodržiali nasledujúce pokyny, mohlo by to mať za následok zásah elektrickým prúdom, vznik požiaru a/alebo vážne poranenie. **Tieto výstražné upozornenia a bezpečnostné pokyny starostlivo uschovajte na budúce použitie.**

⚠ BEZPEČNOSTNÉ POKYNY PRE ZÁVITNÍKY RÚROK

- Vždy používajte podporné zariadenie dodávané s náradím. Strata kontroly počas prevádzky môže mať za následok zranenie osôb.
- Počas práce s náradím majte rukávy a bundy zapnuté. Nesiahajte cez nástroj alebo rúrky. Odev sa môže zachytiť o rúrku alebo nástroj, čo vedie k zapleteniu.
- Pracovný proces a činnosť nástroja musí byť kontrolovaná iba jednou osobou. Ďalšie osoby zapojené do procesu môžu mať za následok neúmyselnú činnosť a zranenie osôb.
- Udržujte podlahy suché a bez klzkých materiálov, ako je olej. Klzká podlaha vedie k nehodám.

Ďalšie bezpečnostné a pracovné pokyny

- Pri závitovaní alebo odoberaní závitovej hlavy z rúrky pevne držte nástroj, aby odolal silám bez ohľadu na použité podporné zariadenie. Znížte tak riziko nárazu, pomliaždenia a ďalších zranení.
- Nepoužívajte matrice, ktoré vykazujú známky opotrebovania, tieto alebo poškodenia. Ostré rezné nástroje vyžadujú menší krútiaci moment a ovládanie nástroja je jednoduchšie.
- Používajte iba:**
 - Rems Quick change 1/8" ... 2" (pomocou krúžkov adaptéra)
 - Rothenberger Závitové hlavy 1/4" ... 2" (pomocou krúžkov adaptéra)
 - Ridgid 11-R 1/4" ... 2" (pomocou krúžkov adaptéra)
 - Ridgid 12-R
- Závitové hlavy neukladajte do náradia, aby ste zabránili opotrebovaniu kovu.**
- Vždy používajte zdravý rozum a buďte opatrní pri používaní náradia.** Nie je možné predvídať každú situáciu, ktorá by mohla viesť k nebezpečným dôsledkom. Nepoužívajte toto náradie, ak nerozumiete tomuto návodu na obsluhu alebo ak máte pocit, že práca je nad rámec Vašich schopností. Obráťte sa na Milwaukee Tool alebo vyškolený profesionál pre ďalšie informácie alebo školenie.
- Etikety a typové štítky neodstraňujte.** Tieto štítky obsahujú dôležité informácie. Keď sú tieto štítky s pokynmi nečitateľné alebo chýbajú, obráťte sa na servisné centrum pre zákazníkov spoločnosti MILWAUKEE, aby ste bezplatne získali ich náhradu.



POZOR

Niektorý prach vytvorený silovým brúsením, pílením, brúsením, vrtaním a inými stavebnými činnosťami obsahuje chemikálie, o ktorých je známe, že spôsobujú rakovinu, vrodene chyby alebo iné reprodukčné chyby. Niektoré príklady týchto chemikálií sú:

- olovo z náterov na báze olova
- krystalický kremeň z tehál a cementu a iných murovacích výrobkov a
- arzen a chróm z chemicky ošetrovaného reziva.

Vaše riziko z týchto expozícií sa líši v závislosti od toho, ako často robíte tento typ práce. Na zníženie Vašej expozície týmto chemikáliám: pracujte v dobre vetranom priestore a pracujte so schváleným bezpečnostným vybavením, ako sú masky na ochranu proti prachu, ktoré sú špeciálne určené na filtrovanie mikroskopických častíc.

POUŽITIE PODĽA PREDPISOV

Tento nástroj je určený na rezanie závitov rúrok a skrutkových závitov pre pravotočivé a ľavotočivé závitov do veľkosti 2". Iné použitie, ktoré nie je určené, je zakázané.

MONTÁŽ



POZOR

Používajte iba príslušenstvo špecificky odporúčané pre tento nástroj. Iné môže byť nebezpečné.

Instalácia / odstránenie závitových hláv

Závitovú hlavu je možné vložiť z ktorejkoľvek strany nástroja. Závitová hlava/adaptér musí byť vložená zo správnej strany nástroja.

1. Vyberte akumulátor.

Slovensky

- Zostavte závitové hlavy/adaptéry podľa obrázka
- Pred začatím rezu vždy skontrolujte, či je závitová hlava zaistená v nástroji.
- Ak ju chcete odstrániť, odomknite zaistovací krúžok závitovej hlavy a vytiahnite ju z nástroja.

PREVÁDZKA

Opatrenia proti závitovým silám

Vždy používajte podporné zariadenie dodávané s nástrojom. Podporné rameno sa upína na rúrku a pomáha odolávať závitovým silám.

POZOR! Strata kontroly počas prevádzky môže mať za následok zranenie osôb.

Volenie rýchlosti

Volič rýchlosti je na vrchnej strane krytu. Pred zmenou rýchlosti nechajte nástroj úplne zastaviť.

Použitie ovládacieho spínača

Ovládací spínač môže byť nastavený do troch pozícií: v smere hodinových ručičiek, proti smeru hodinových ručičiek a do pozície uzamknutia. Pred použitím ovládacieho spínača vždy nechajte motor úplne zastaviť.

Pre otáčanie v smere hodinových ručičiek stlačte ovládací spínač z ľavej strany nástroja. **Pred použitím skontrolujte smer otáčania. Pri tomto otáčaní vzniknú pravotočivé závit, keď sa hlava zasúva z ľavej (prednej) strany nástroja.**

Pre otáčanie proti smeru hodinových ručičiek stlačte ovládací spínač z pravej strany nástroja. **Pred použitím skontrolujte smer otáčania. Pri tomto otáčaní vzniknú pravotočivé závit, keď sa hlava zasúva z pravej (zadnej) strany nástroja.**

Pred vykonaním údržby, výmenou príslušenstva, uskladnením nástroja a keď ho nepoužívate, vždy zaistite spúšťač alebo vyberte akumulátor.

Závitovanie

Správne pripravte rúrku. Dbajte na to, aby bola rúrka rovno odrezaná a odhrotovaná. Uhol rezu rúrky môže poškodiť hlavu pri závitovaní a môže spôsobiť ťažkosti so zapadnutím závitovej hlavy. Rúrka musí byť stabilná a zaistená, aby sa zabránilo prevráteniu počas používania. Na pozdĺžne podoprenie rúrky použite vhodné stojany na rúrky.

POZOR! Pri obsluhu náradia nenoste šperky, voľné oblečenie a nepoužívajte handry. Pri tlačením na pohyblivé časti alebo v ich blízkosti nenoste rukavice náchylné na zachytenie; zvyšuje sa tak riziko zapletenia a poranenia. Akonáhle hlavy zapadnú do rúrky, vyrežte sa závit, keď sa hlavy vtiahnu na koniec rúrky.

POZOR! Nástroj vždy pevne držte, aby sa odolalo silám nástroja. Podporné zariadenia môžu v ojedinelých prípadoch skĺznúť a umožniť pohyb nástroja.

Pomocou olejníčky naneste na dané miesto veľké množstvo oleja na rezanie závitov. To zníži potrebný krútiaci moment závitovania, zlepší kvalitu závitů a predĺži životnosť hlavy.

POZOR! Rezy môžu byť ostré. Prípadné rozliatie oleja vyčistite, aby ste zaistili bezpečné pracovné prostredie.

V prípade ľavotočivých závitov otočte výber v smere hodinových ručičiek/proti smeru hodinových ručičiek.

Kontrola závitov/Použitie krúžkového meradla

- Zo závitů utrite všetok olej, triesky alebo nečistoty.
- Skontrolujte závit. Závit by mali byť hladké, úplné a v dobrom tvare. Ak spozorujete nepravidelnosti, ako sú roztrhnutie závitů, tenké závitů alebo neokrúhosť rúrky, nemusí sa závit utiesniť.
- Na kontrolu veľkosti závitů pomocou krúžkového meradla navlečte meradlo na rúrku a ručne dotiahnite. Koniec rúrky by mal byť v jednej rovine s bokom meradla (plus alebo minus jedno otočenie). Ak sa meraním zistí vada závitů, odrežte ho, upravte závitovú hlavu a vyrežte ďalší závit. **POZOR!** Používanie závitů, ktorý nemá správne rozmery, môže spôsobiť netesnosť.

ÚDRŽBA

Pred každou prácou na stroji výmenný akumulátor vytiahnuť.

Nikdy neatvárajte závitník rúrok, vyberateľnú batériu ani nabíjačku.

Skontrolujte závitník rúrok ohľadom akýchkoľvek problémov, ako je hluk alebo zaseknutie pohyblivých častí, ktoré by mohli mať negatívny vplyv na nástroj.

Skontrolujte rezný nástroj ohľadom prasklín a iných známkov opotrebenia.

Vyčistite prach a úlomky z otvorov. Rukoväť udržiavajte čistú, suchú a bez oleja alebo masťoty. Na čistenie používajte iba jemné mydlo a navlhčenú tkaninu, pretože niektoré čistiace prostriedky a rozpúšťadlá škodia plastom a iným izolovaným častiam. Niektoré z nich sú benzín, terpentín, riedidlo na lak, riedidlo na farby, chlórované čistiace rozpúšťadlá, amoniak a čistiace prostriedky pre domácnosť obsahujúce amoniak. Nikdy nepoužívajte horľavé alebo zápalné rozpúšťadlá okolo náradia.

Skontrolujte ostrosť hláv a opotrebované hlavy vždy vymeňte ako kompletnú sadu.

Matrice vymeňte, keď sú ich časti odlomené alebo poškodené.

Hlavy vždy vymeňte ako kompletnú sadu.

Aby nedošlo k poraneniu a poškodeniam, nikdy neponárajte nástroj, vymeniteľnú batériu ani nabíjačku do kvapaliny a zabráňte vniknutiu kvapaliny do nich.

Vetracie otvory udržiavať stále v čistote.

Ďalšie servisné a opravárenské práce môžu vykonávať iba autorizované odborné prevádzky.

Používať len Milwaukee príslušenstvo a Milwaukee náhradné diely. Súčiastky bez návodu na výmenu treba dať vymeniť v jednom z Milwaukee zákaznických centier (viď brožúru Záruka/Adresy zákaznických centier).

Pri udaní typu stroja a čísla nachádzajúceho sa na štítku dá sa v prípade potreby vyžiadať explozivná schéma prístroja od vášho zákaznického centra alebo priamo v Techtronic Industries GmbH, Max-Eyth-Straße 10, 71364 Winnenden, Germany.



Slovo

ONE-KEY™

Ak sa chcete dozvedieť viac o funkcionalite ONE-KEY tohto prístroja, pozrite si prosím Sprievodcu rýchlym štartom, ktorý je súčasťou tohto výrobku alebo choďte na <http://www.milwaukeetool.com/one-key>

Aplikáciu ONE KEY si môžete na svoj smartphone stiahnuť z app storeu alebo z Google Play.

Výsledok skúšky spĺňa naše minimálne požiadavky v súlade s normami EN 301 489-1 / EN 301 489-17. In uporabniku bomo v navodilih za uporabo navedli smernice za obratovanje.

AKUMULÁTORY

Dlhší čas nepoužívané výmenné akumulátory pred použitím dobiť.

Teplota vyššia ako 50°C znižuje výkon výmenného akumulátora. Zabráňte dlhšiemu ohriatiu slnkom alebo kúrením.

Pripájacie kontakty na nabíjacom zariadení a výmennom akumulátore udržiavať čisté.

Pre optimálnu životnosť je nutné akumulátory po použití plne dobiť.

K zabezpečeniu dlhej životnosti by sa akumulátory mali po nabití vybrať z nabíjačky.

Pri skladovaní akumulátora po dobu dlhšiu než 30 dní:

Skladujte akumulátor v suchu pri cca 27°C.

Skladujte akumulátor pri cca 30%-50% nabíjacej kapacity.

Opakujte nabíjanie akumulátora každých 6 mesiacov.

Do zasúvacieho otvoru pre výmenné akumulátory na nabíjacom zariadení, sa nesmú dostať žiadne kovové predmety (nebezpečenstvo skratu).

OCHRANA PROTI PREŤAŽENIU AKUMULÁTORA

Pri preťažení akumulátora príliš vysokým odberom prúdu, napríklad pri extrémne vysokých točivých momentoch, pri blokovanií vrtáka, náhlom zastavení alebo skrate, začne vrtáčka na 2 sekundy hučať a potom sa samočinne vypne.

PREPRAVA LÍTIOVO-IÓNOVÝCH BATÉRIÍ

Lítiovo-iónové batérie podľa zákonných ustanovení spadajú pod prepravu nebezpečného nákladu.

Preprava týchto batérií sa musí realizovať s dodržiavaním lokálnych, vnútroštátnych a medzinárodných predpisov a ustanovení.

Spotrebiteľia môžu tieto batérie bez problémov prepravovať po cestách.

Komerčná preprava lítiovo-iónových batérií prostredníctvom špeciálnych firiem podlieha ustanoveniam o preprave nebezpečného nákladu. Prípravu k vyexpedovaniu a samotnú prepravu smú vykonávať iba adekvátne vyškolené osoby. Na celý proces sa musí odborné dohliadať.

Pri preprave batérií treba dodržiavať nasledovné:

Zabezpečte, aby boli kontakty chránené a izolované, aby sa zamedzilo skratom. Dávajte pozor na to, aby sa zväzok batérií v rámci balenia nemohol zošmyknúť. Poškodené a vytečené batérie sa nesmú prepravovať. Kvôli ďalším informáciám sa obráťte na vašu špeciálnu firmu.

CE - VYHLÁSENIE KONFORMITY

Na našu výhradnú zodpovednosť vyhlasujeme, že produkt popísaný v časti „Technické údaje“ spĺňa všetky príslušné ustanovenia smerníc

2011/65/EÚ (RoHS)

2006/42/ES

2014/53/EÚ

a boli použité nasledovné harmonizované normy

EN 62841-1:2015

EN 62841-2-9:2015

EN 55014-1:2017+A11:2020

EN 55014-2:2015

EN 301 489-1 V2.2.3

EN 301 489-1 V3.1.1

EN 300 328 V2.2.2

EN 62479:2010

EN IEC 63000:2018



Winnenden, 2020-11-09

Alexander Krug / Managing Director
Splnomocnený zostaviť technické podklady.

Techtronic Industries GmbH
Max-Eyth-Straße 10, 71364 Winnenden, Germany



Slov

SYMBOLY



POZOR! NEBEZPEČENSTVO!



Pred každou prácou na stroji výmenný akumulátor vytiahnuť.



Ruky držte mimo všetkých pohyblivých častí.



Pred prvým použitím prístroja si pozorne prečítajte návod na obsluhu.



Pri práci so strojom vždy noste ochranné okuliare.



Vždy používajte podporné rameno.



Vždy noste kožené rukavice.



Toto zariadenie obsahuje gombíkovú/mincovú lítiovú batériu.

V

Napätie



Jednosmerný prúd



Elektrické zariadenia, batérie/akumulátory sa nesmú likvidovať spolu s odpadom z domácností. Elektrické zariadenia, batérie/akumulátory treba zbierať oddelene a odovzdať ich v recyklačnom podniku na ekologickú likvidáciu. Na miestnych úradoch alebo u vášho špecializovaného predajcu sa spýtajte na recyklačné podniky a zberné dvory.



Značka zhody v Európe



Značka zhody v Británii



Značka zhody na Ukrajine



Značka zhody pre oblasť Eurázie



DANE TECHNICZNE Gwintownica do rur	M18 FPT2
Numer produkcyjny	4773 51 01 000001-999999
Pasma (pasma) częstotliwości Bluetooth	2402 - 2480 MHz
Moc wysokiej częstotliwości	1,8 dBm
Wersja Bluetooth	4.0 BT signal mode
Technologia akumulatorowa	Li-Ion
Napięcie baterii akumulatorowej	18 V
Znamionowa prędkość obrotowa	
1. Przekładnia zębata	0 min ⁻¹ ... 29 min ⁻¹
2. Przekładnia zębata	0 min ⁻¹ ... 41 min ⁻¹
Wydajność	
1. Przekładnia zębata	1 1/2" ... 2" 32 mm ... 50 mm
2. Przekładnia zębata	1/8" ... 1 1/4" 3 mm ... 30 mm
Głowice gwinciarские	Ridgid 12-R
Ciężar wg procedury EPTA 01/2014 (Li-Ion 2.0 Ah ... 12.0 Ah)	10,54 kg ... 11,60 kg
Zalecana temperatura otoczenia w trakcie eksploatacji	-18 °C ... +50 °C
Zalecane zestawy akumulatorowe	M18B... min. 6.0 Ah M18HB...
Zalecane ładowarki	M12-18..., M1418C6
Informacja dotycząca szumów	
Zmierzone wartości wyznaczono zgodnie z normą EN 62841. Poziom szumów urządzenia oszacowany jako A wynosi typowo:	
Poziom ciśnienia akustycznego (Niepewność K=3dB(A))	74,2 dB(A)
Poziom mocy akustycznej (Niepewność K=3dB(A))	85,2 dB(A)
Należy używać ochraniaczy uszu!	
Informacje dotyczące wibracji	
Wartości łączne drgań (suma wektorowa trzech kierunków) wyznaczone zgodnie z normą EN 62841	
Wartość emisji drgań a _{hmax}	1,6 m/s ²
Niepewność K=	1,5 m/s ²

OSTRZEŻENIE!

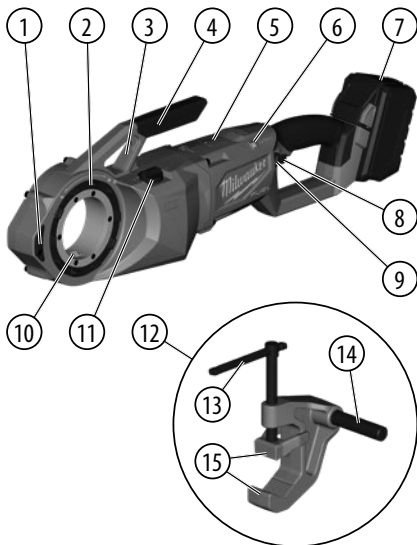
Poziom drgań i emisji hałasu podany w niniejszej instrukcji zmierzono zgodnie ze standardową metodą badania wg EN 62841 i można ją wykorzystać do porównania narzędzia z innym narzędziem. Można go wykorzystać przy wstępnej ocenie narażenia.

Deklarowany poziom emisji drgań i hałasu reprezentuje główne zastosowania narzędzia. Jeśli jednak narzędzie jest używane do różnych zastosowań, z różnymi akcesoriami lub w przypadku nieprawidłowej konserwacji, emisja drgań i hałasu może się różnić. Może to znacznie zwiększyć poziom narażenia w całym okresie eksploatacji narzędzia.

Oszacowanie poziomu narażenia na wibracje i hałas powinno również uwzględniać czasy, kiedy narzędzie jest wyłączone lub kiedy jest włączone, ale nie pracuje. Może to znacznie obniżyć poziom ekspozycji w całym okresie eksploatacji narzędzia.

Należy zidentyfikować dodatkowe środki bezpieczeństwa w celu ochrony operatora przed skutkami wibracji i/lub hałasu, takie jak: utrzymywanie narzędzia i akcesoriów w nienagannym stanie, utrzymywanie ciepła rąk, organizacja pracy.

Stosować środki ochrony słuchu! Hałas może powodować utratę słuchu.



Opis urządzenia

- | | |
|---|-------------------------------------|
| 1 Uchwyt boczny | 9 Przełącznik kierunku |
| 2 Pierścień blokujący głowicy gwinciarzkiej | 10 Przeniesienie momentu obrotowego |
| 3 Punkt podparcia ramienia podporowego | 11 Wybierak prędkości |
| 4 Rączka | 12 Zacisk |
| 5 Bateria wewnętrzna | 13 Ramię napinające |
| 6 Wskaźnik ONE KEY | 14 Ramię podporowe |
| 7 Akumulator | 15 Szczęki |
| 8 Spust | |

⚠️ OSTRZEŻENIE

Przeczytać wszystkie wskazówki bezpieczeństwa, instrukcje, ilustracje i dane dołączone do urządzenia. Jeśli nie będą przestrzegane następujące przepisy, może dojść do porażenia prądem, pożaru i/lub ciężkich obrażeń ciała.

Należy starannie przechowywać wszystkie przepisy i wskazówki bezpieczeństwa dla dalszego zastosowania.

⚠️ ZASADY BEZPIECZEŃSTWA DOTYCZĄCE GWINTOWNIC DO RUR

- Zawsze używaj podpórki dostarczonej z narzędziem. Utrata kontroli nad narzędziem podczas pracy może spowodować obrażenia ciała.
- Przed przystąpieniem do pracy zapnij rękawy i guziki odzieży. Nie sięgaj w poprzek narzędzia ani rury. Luźna odzież może wręcić się w rurę lub narzędzie.
- Proces pracy i działanie narzędzia musi kontrolować tylko jedna osoba. Dodatkowe osoby zaangażowane w proces mogą spowodować niezamierzone działanie i obrażenia ciała.
- Dbaj o to, aby podłogi były suche i wolne od śliskich materiałów, takich jak olej. Śliskie podłogi sprzyjają wypadkom.

Dodatkowe wskazówki bezpieczeństwa i instrukcje robocze

- Podczas gwintowania lub cofania głowicy gwinciarzkiej z rury mocno trzymaj narzędzie, aby oprzeć się siłom, niezależnie od zastosowanego wspornika. Zmniejszy to ryzyko uderzenia, zmiążdżenia i innych obrażeń.
- Nie używaj gwintowników, które wykazują oznaki zużycia, są tępe lub uszkodzone. Ostre narzędzia tnące wymagają mniejszego momentu obrotowego, a narzędzie jest łatwiej kontrolować.
- Wyłączne zastosowanie:**
 - Rems Quick change 1/8" ... 2" (dzięki przejściówkom)
 - Rothenberger Głowice gwinciarzkie 1/4" ... 2" (dzięki przejściówkom)
 - Ridgid 11-R 1/4" ... 2" (dzięki przejściówkom)
 - Ridgid 12-R
- Nie przechowuj głowic w narzędziu, aby zapobiec zużyciu wynikającemu z kontaktu metalu z metalem.**
- Podczas używania narzędzia należy zawsze zachować zdrowy rozsądek i środki ostrożności.** Nie można przewidzieć każdej sytuacji, która może doprowadzić do niebezpieczeństwa. Nie używać narzędzia, jeśli użytkownik nie zrozumiał instrukcji obsługi lub jeśli bezpieczne wykonanie pracy wykracza poza możliwości użytkownika; skontaktuj się z firmą Milwaukee Tool lub przeszkolonym specjalistą w celu uzyskania dodatkowych informacji lub szkolenia.
- Nie usuwać etykietek ani tabliczek znamionowych.** Tabliczki te zawierają ważne informacje. W przypadku kiedy są one nieczytelne lub ich brakuje, należy zwrócić się do serwisu klienta – MILWAUKEE w celu uzyskania ich bezpłatnej wymiany.

⚠️ OSTRZEŻENIE

Niektóre pyły powstające podczas polerowania, piłowania, szlifowania, wiercenia i innych prac budowlanych zawierają substancje chemiczne, które mogą powodować raka, wady płodu lub narządów rozrodczych. Oto kilka przykładów takich substancji chemicznych:

- ołów pochodzący z farb ołowiowych
 - krzemionka krystaliczna pochodząca z cegieł, cementu i innych produktów murarskich oraz
 - arsen i chrom pochodzące z drewna przetworzonego chemicznie.
- Ryzyko związane z tym narażeniem jest różne, w zależności od tego, jak często użytkownik wykonuje ten rodzaj pracy. Aby zmniejszyć narażenie na działanie tych substancji chemicznych: pracować w dobrze przewietrzonym pomieszczeniu i korzystać z zatwierdzonych urządzeń zabezpieczających, takich jak maski przeciwpyłowe, które zostały specjalnie zaprojektowane do filtrowania mikroskopijnych cząstek.

WARUNKI UŻYTKOWANIA

To narzędzie jest przeznaczone do nacinania gwintów rurowych i śrubowych prawych i lewych do rozmiaru 2". Inne zastosowania niezgodne z przeznaczeniem są zabronione.

MONTAŻ



OSTRZEŻENIE

Używaj tylko akcesoriów zalecanych do tego konkretnego narzędzia. Używanie innego wyposażenia jest niebezpieczne.

Montaż/demontaż głowic gwincierskich

Głowicę gwincierską można włożyć z dowolnej strony narzędzia.

Głowicę gwincierską / adapter należy wkładać z właściwej strony narzędzia.

1. Wyjmij akumulator.
2. Zamontuj głowicę gwincierską / adaptery, jak przedstawiono na ilustracji
3. Przed rozpoczęciem gwintowania zawsze sprawdź, czy głowica gwincierska jest zablokowana w narzędziu.
4. Aby wymontować głowicę, odblokuj pierścien blokujący głowicę i wyciągnij ją z narzędzia.



Pol

PROCES CIĘCIA

Siły gwintujące oporowe

Zawsze używaj podpórki dostarczonej z narzędziem. Ramię podporowe mocuje się do rury; pomaga ono przeciwdziałać siłom gwintowania.

OSTRZEŻENIE! Utrata kontroli podczas pracy może spowodować obrażenia ciała.

Wybór prędkości

Wybierak prędkości znajduje się na górze obudowy. Pozwól, aby narzędzie całkowicie się zatrzymało, zanim wybierzesz inną prędkość.

Korzystanie z przełącznika sterującego

Przełącznik sterujący można ustawić w trzech położeniach: ruch w prawo, ruch w lewo i blokada. Przed użyciem przełącznika sterującego zawsze zaczekaj, aby silnik zatrzymał się całkowicie.

Aby włączyć obroty w prawo, wciśnij przełącznik sterujący z lewej strony narzędzia. **Przed użyciem sprawdź kierunek obrotów. Takie obroty powodują powstanie gwintów prawoskrętnych, gdy nóż do nacinania gwintów zostanie włożony z lewej (przedniej) strony narzędzia.**

Aby włączyć obroty w lewo, wciśnij przełącznik sterowania z prawej strony narzędzia. **Przed użyciem sprawdź kierunek obrotów. Takie obroty powodują powstanie gwintów prawoskrętnych, gdy nóż do nacinania gwintów zostanie włożony z prawej (tylnej) strony narzędzia.**

Zawsze blokuj spust lub wyjmij akumulator przed wykonaniem konserwacji, wymianą akcesoriów, składowaniem narzędzia i za każdym razem, gdy narzędzie nie jest używane.

Gwintowanie

Prawidłowo przygotuj rurę. Upewnij się, że rura jest prostopadle przycięta i ogratowana. Nacinanie rury pod kątem może uszkodzić nóż do nacinania gwintów podczas gwintowania i może utrudnić podłączenie głowicy. Rura musi być stabilna i zabezpieczona przed przewróceniem się podczas pracy z narzędziem. Użyj odpowiednich stojaków do rur, aby podeprzeć rurę na całej długości.

OSTRZEŻENIE! Nie noś biżuterii, luźnej odzieży ani nie używaj szmatki podczas obsługi narzędzia. Nie noś rękawic, które mogą się zaczeplić podczas pchania lub w pobliżu ruchomych części; zwiększa to ryzyko zaplątania się i obrażeń. Gdy noże do nacinania gwintów zaczeplą się o rurę, gwinty zostaną nacięte, gdy noże najdą na koniec rury.

OSTRZEŻENIE! Narzędzie należy zawsze mocno trzymać, aby oprzeć się siłom narzędzia. W rzadkich przypadkach urządzenia pomocnicze mogą się ześlizgnąć i umożliwić ruch narzędzia.

Olejarką nałóż dużą ilość oleju do gwintowania na obszar roboczy. Zmniejszy to niezbędny moment obrotowy gwintowania, poprawi jakość gwintu i zwiększy żywotność noża do nacinania gwintów.

OSTRZEŻENIE! Nacięcia mogą być ostre. Usuń wszelkie wycieki oleju, aby zachować bezpieczne środowisko pracy.

W przypadku gwintów lewoskrętnych zmień wybór w prawo / w lewo.

Kontrola gwintów / Zastosowanie pierścienia kontrolnego

1. Zetrzyj olej, wióry oraz zanieczyszczenia z gwintu.
2. Sprawdź gwint. Gwinty powinny być gładkie, kompletne i mieć odpowiedni kształt. Jeśli widoczne są nieregularności, takie jak zerwanie gwintu, cienkie gwinty lub owalizacja rury, gwint może nie być szczelny.
3. Aby sprawdzić rozmiar gwintu pierścieniem kontrolnym, nakręć go na rurę i ręcznie dokręć. Koniec rury powinien być zlicowany z bokiem sprężyny (plus minus jeden obrót). Jeśli gwint nie ma odpowiedniego rozmiaru, odetnij go, wyreguluj głowicę i natnij kolejny gwint. **OSTRZEŻENIE!** Stosowanie gwintów, które nie są prawidłowo wymiarowane, może spowodować wycieki.

UTRZYMANIE I KONSERWACJA

Przed przystąpieniem do jakichkolwiek prac na elektronarzędziu należy wyjąć wkładkę akumulatorową.

Nigdy nie otwieraj gwintownicy, akumulatora ani ładowarki.

Sprawdzaj gwintownicę do rur pod kątem jakichkolwiek problemów takich jak hałas, zakleszczenie się ruchomych elementów, które mogą mieć wpływ na prawidłowe działanie narzędzia.

Sprawdź narzędzia tnące pod kątem pęknięć i innych oznak zużycia.

Oczyszczyć szczeliny z pyłu i zanieczyszczeń. Utrzymywać uchwyt w stanie czystym, suchym i wolnym od olejów i smarów. Do czyszczenia używać tylko łagodnego mydła i wilgotnej szmatki, ponieważ niektóre detergenty i rozpuszczalniki mogą uszkodzić części z tworzywa sztucznego i inne części izolowane. Zaliczają się do nich m.in. benzyna, terpentyna, rozcieńczalniki do lakierów i farb, rozpuszczalniki chlorowane, amoniak oraz detergenty do zastosowania w gospodarstwie domowym zawierające amoniak. Nigdy nie używać łatwopalnych i palnych rozpuszczalników w pobliżu narzędzi.

Sprawdź, czy noże do nacinania gwintów są ostre, i zawsze wymień cały zestaw zużytych noży.

Wymień noże, gdy są wyszczerbione lub uszkodzone.

Zawsze wymieniaj cały zestaw noży do nacinania gwintów.

W celu uniknięcia obrażeń lub szkód nigdy nie należy zanurzać narzędzia, wymiennej baterii ani ładowarki w cieczy ani nie dopuszczać, aby ciecz przeniknęła do ich wnętrza.

Otwory wentylacyjne elektronarzędzia muszą być zawsze drożne. Pozostałe prace serwisowe i naprawcze mogą być wykonywane wyłącznie przez autoryzowane warsztaty specjalistyczne.

Używać tylko i wyłącznie wyposażenia dodatkowego Milwaukee i części zamiennych Milwaukee. Gdyby trzeba było wymienić części, które nie zostały opisane, należy skontaktować się z przedstawicielem serwisu Milwaukee (patrz wykaz adresów punktów usługowych/gwarancyjnych).

Na życzenie można otrzymać rysunek widoku zespołu rozebranego. Przy zamawianiu należy podać numer oraz typ elektronarzędzia umieszczony na tabliczce znamionowej. Zamówienia można dokonać albo u lokalnych przedstawicieli serwisu, albo bezpośrednio w Techtronic Industries GmbH, Max-Eyth-Straße 10, 71364 Winnenden, Germany.

ONE-KEY™

Aby dowiedzieć się więcej na temat funkcji ONE-KEY urządzenia, zapoznaj się z instrukcją obsługi dołączonej do produktu lub odwiedź stronę <http://www.milwaukeeetool.com/one-key>

Możesz pobrać aplikację ONE-KEY z sklepu App Store lub Google Play na swojego smartfona.

Wynik badania spełnia nasze minimalne wymagania zgodnie z normą EN 301 489-1 / EN 301 489-17. Przekażemy też klientowi wszystkie operacyjne w instrukcji obsługi.

BATERIE AKUMULATOROWE

Akumulatory, które nie były przez dłuższy czas użytkowane, należy przed użyciem naładować.

W temperaturze powyżej 50°C następuje spadek osiągniętych wkładki akumulatorowej. Unikaj długotrwałego wystawienia na oddziaływanie ciepła lub promieni słonecznych (niebezpieczeństwo przegrzania).

Styki ładowarek i wkładek akumulatorowych należy utrzymywać w czystości

Dla zapewnienia optymalnej żywotności akumulatory po użyciu należy naładować do pełnej pojemności.

Dla zapewnienia możliwie długiej żywotności akumulatory należy wyjąć z ładowarki po ich naładowaniu.

W przypadku składowania akumulatorów dłużej aniżeli 30 dni: Przechowywać je w suchym miejscu w temperaturze ok. 27°C.

Przechowywać je w stanie naładowanym do ok. 30% - 50%.

Ładować je ponownie co 6 miesięcy.

Do ładowarki nie wolno wkładać żadnych przedmiotów metalowych (niebezpieczeństwo zwarcia).

ZABEZPIECZENIE PRZECIĄŻENIOWE AKUMULATORA

Przy przeciążeniu akumulatora bardzo dużym prądem na przykład wskutek ekstremalnie dużych momentów obrotowych, zakleszczenia wiertła, nagłego zatrzymania się lub zwarcia narzędzie elektryczne 'buczy' przez 2 sekundy i samoczynnie wyłącza się.

TRANSPORT AKUMULATORÓW LITOWO-JONOWYCH

Akumulatory litowo-jonowe podlegają ustawowym przepisom dotyczącym transportu towarów niebezpiecznych.

Transport tych akumulatorów winien odbywać się przy przestrzeganiu lokalnych, krajowych i międzynarodowych rozporządzeń i przepisów.

Odbiorcom nie wolno transportować tych akumulatorów po drogach ot tak po prostu.

Komercyjny transport akumulatorów litowo-jonowych przez przedsiębiorstwa spedycyjne podlega przepisom dotyczącym transportu towarów niebezpiecznych. Przygotowania do wysyłki oraz transport mogą być wykonywane wyłącznie przez odpowiednio przeszkolone osoby. Cały proces winien odbywać się pod fachowym nadzorem.

W czasie transportu akumulatorów należy przestrzegać następujących punktów:

Celem uniknięcia zwarcia należy upewnić się, że zestyki są zabezpieczone i zaizolowane. Zwracać uwagę na to, aby zespół akumulatorów nie mógł się przemieszczać we wnętrzu opakowania. Nie wolno transportować akumulatorów uszkodzonych lub z wyciekającym z elektrolitem. Odnośnie dalszych wskazówek należy zwrócić się do swojego przedsiębiorstwa spedycyjnego.

DEKLARACJA ZGODNOŚCI CE

Oświadczamy na naszą wyłączną odpowiedzialność, że produkt opisany pod „Dane techniczne” spełnia wszystkie istotne przepisy dyrektywy

2011/65/UE (RoHS)

2006/42/WE

2014/53/ UE

i zastosowano następujące zharmonizowane normy

EN 62841-1:2015

EN 62841-2-9:2015

EN 55014-1:2017+A11:2020

EN 55014-2:2015

EN 301 489-1 V2.2.3

EN 301 489-17 V3.1.1

EN 300 328 V2.2.2

EN 62479:2010

EN IEC 63000:2018



Winnenden, 2020-11-09

Alexander Krug / Managing Director

Upelnomocniony do zestawienia danych technicznych

Techtronic Industries GmbH

Max-Eyth-Straße 10, 71364 Winnenden, Germany



Pol

SYMBOLE



UWAGA! OSTRZEŻENIE NIEBEZPIECZEŃSTWO!



Przed przystąpieniem do jakichkolwiek prac na elektronarzędziu należy wyjąć wkładkę akumulatorową.



Trzymaj ręce z dala od ruchomych elementów.



Przed uruchomieniem elektronarzędzia zapoznać się uważnie z treścią instrukcji.



Podczas pracy należy zawsze nosić okulary ochronne.



Zawsze używaj ramienia podporowego.



Zawsze zakładaj rękawice skórzane.



Urządzenie posiada guzikową baterię litową.



Napięcie



Prąd stały



Urządzenia elektryczne, baterie/akumulatory nie mogą być usuwane razem z odpadami pochodzącymi z gospodarstw domowych. Urządzenia elektryczne i akumulatory należy gromadzić oddzielnie i w celu usuwania ich do odpadów zgodnie z wymaganiami środowiska naturalnego oddawać do przedsiębiorstwa utylizacyjnego. Proszę zasięgnąć informacji o centrach recyklingowych i punktach zbiorczych u władz lokalnych lub u wyspecjalizowanego dostawcy.



Europejski Certyfikat Zgodności



Brytyjski Certyfikat Zgodności



Ukraiński Certyfikat Zgodności



Euroazjatycki Certyfikat Zgodności



MŰSZAKI ADATOK Csőmenetvágó	M18 FPT2
Gyártási szám	4773 51 01 000001-999999
Bluetooth-frekvenciasáv (frekvenciasávok)	2402 - 2480 MHz
Nagyfrekvenciájú	1,8 dBm
Bluetooth-verzió	4.0 BT signal mode
Akkumulátortechnológia	Li-Ion
Akkumulátor feszültség	18 V
Névleges fordulatszám	
1. fokozat	0 min ⁻¹ ... 29 min ⁻¹
2. fokozat	0 min ⁻¹ ... 41 min ⁻¹
Kapacitás	
1. fokozat	1 1/2" ... 2" 32 mm ... 50 mm
2. fokozat	1/8" ... 1 1/4" 3 mm ... 30 mm
Vágófejek	Ridgid 12-R
Súly a 01/2014 EPTA-eljárás szerint (Li-Ion 2.0 Ah ... 12.0 Ah)	10,54 kg ... 11,60 kg
Üzemeléshez ajánlott környezeti hőmérséklet	-18 °C ... +50 °C
Ajánlott akkusomagok	M18B... min. 6.0 Ah M18HB...
Ajánlott töltőkészülékek	M12-18..., M1418C6
Zajinformáció	
A köztölt értékek megfelelnek az EN 62841 szabványnak. A készülék munkahelyi zajszintje tipikusan:	
Hangnyomás szint (K bizonytalanság=3dB(A))	74,2 dB(A)
Hangteljesítmény szint (K bizonytalanság=3dB(A))	85,2 dB(A)
Hallásvédő eszköz használata ajánlott!	
Vibráció-információk	
Összesített rezgésértékek (három irány vektorális összeg az EN 62841-nek megfelelően meghatározva).	
rezgésemisszió érték a _{hmax}	1,6 m/s ²
K bizonytalanság	1,5 m/s ²



FIGYELMEZTETÉS!

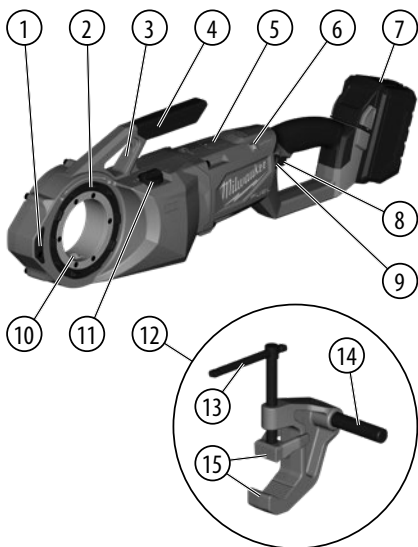
Az adatlapon feltüntetett rezgés- és zajkibocsátási szint mérésére az EN 62841 szabványos vizsgálati módszere alapján került sor, és a kapott értékek az egyes szerszámok összehasonlítására használhatók. Az értékek az expozíció előzetes értékelésében használhatók.

A feltüntetett rezgés- és zajkibocsátási szint a szerszám főbb alkalmazásait tükrözi. Mindazonáltal, ha a szerszámot különböző alkalmazásokra, eltérő tartozékokkal használják, illetve a szerszám nincs megfelelően karbantartva, a rezgés- és zajkibocsátási szint eltérő lehet. Ez jelentősen növelheti az expozíciós szintet a teljes munkafolyamat során.

A rezgésnek és zajnak való expozíció becsült szintjét is figyelembe kell venni a szerszám kikapcsolásakor, illetve olyankor, ha a szerszám üzemel, de valójában nem történik vele munkavégzés. Ez jelentősen csökkentheti az expozíciós szintet a teljes munkafolyamat során.

Határozzon meg további biztonsági intézkedéseket, hogy védje a kezelőt a rezgés- és/vagy zajhatásokról. Ilyen intézkedések pl.: a szerszámok és tartozékok karbantartása, a kéz melegen tartása, munkarend-szervezés.

Viseljen hallásvédőt. A zaj hatása hallásvesztést okozhat.



Mag

Eszközleírás

- | | |
|-----------------------------|---------------------|
| ① Oldalsó markolat | ⑨ Vezérlőkapcsoló |
| ② Vágófejreggázító gyűrű | ⑩ Nyomatékvitel |
| ③ Rögzítőkár rögzítési pont | ⑪ Fordulatszámváltó |
| ④ Hordozókar | ⑫ Rögzítőbilincs |
| ⑤ Belső elem | ⑬ Szorítókar |
| ⑥ ONE KEY jelzőlámpa | ⑭ Rögzítőkar |
| ⑦ Akkumulátor | ⑮ Pofák |
| ⑧ Indítógomb | |

FIGYELMEZTETÉS

Olvasson el minden, a géppel együtt megkapott biztonsági utalást, utasítást, ábrázolást és adatot. Ha nem tartja be a következő előírásokat, akkor ez áramütéshez, tűzhöz és/vagy súlyos személyi sérülésekhez vezethet.

Kérjük a későbbi használatra gondosan őrizze meg ezeket az előírásokat.

BIZTONSÁGI UTASÍTÁSOK CSÓMENETVÁGÓK SZÁMÁRA

- Mindig használja a szerszámmal mellékelt tartóeszközt. Az irányítás elvesztése az üzemeltetés során személyi sérüléshez vezethet.
- A szerszám működtetése közben tartsa begombolva a felsőrészeket és kabátokat. Ne nyúljon át a szerszámon vagy a csővön. A ruházat becsípődhet a csőbe vagy a szerszámba, és beakadáshoz vezethet.
- Csak egy személy irányíthatja a munkafolyamatot és a szerszám működtetését. További személyek bevonása a folyamatba szándékolatlan működtetéshez és személyi sérüléshez vezethet.
- Tartsa tisztán a padlót olyan csúszós anyagoktól, mint például olaj. A csúszós padló baleseteket idézhet elő.

További biztonsági és munkavégségi utasítások

- A vágófej csőre helyezésekor vagy eltávolításakor tartsa erősen a szerszámot az erőnek való ellenállás érdekében attól függetlenül, hogyan használja a tartóeszközt. Ez csökkenti az ütődések, zúzóások és más sérülések kockázatát.
- Ne használjon olyan vágófejeket, amelyek kopás jeleit mutatják, tömpák vagy sérültek. Az éles vágóeszközök alacsonyabb nyomásokat igényelnek, a szerszám pedig könnyebben irányítható.
- Csak a következőket használja:**
 - Rems Quick change 1/8" ... 2" (adaptergyűrűkkel)
 - Rothenberger Vágófejek 1/4" ... 2" (adaptergyűrűkkel)
 - Ridgid 11-R 1/4" ... 2" (adaptergyűrűkkel)
 - Ridgid 12-R
- Ne tárolja a vágófejeket a szerszámban a fém a fém kopás megelőzése érdekében.**
- Mindig megfontoltan járjon el, és legyen körültekintő a szerszámok használata során.** Nem lehetséges előre látni minden olyan szituációt, amely veszélyes helyzetet eredményezhet. Ne használja ezt a szerszámot, ha nem értené ezt a használati útmutatót, illetve ha úgy érezné, hogy a munka meghaladja az Ön képességeit; forduljon a Milwaukee Tool munkatársaihoz vagy képzett szakemberhez további információért vagy képzésért.
- Ne távolítsa el a címkéket és típusablákat.** Ezek a jelzések fontos információkat tartalmaznak. Ha ezek a címkék már nem olvashatók vagy hiányoznak, forduljon a MILWAUKEE ügyfélszolgálatához az ingyenes pótlás érdekében.

FIGYELMEZTETÉS

A homokszórás, fűrészelés, csiszolás, fűrés és más építkezési tevékenységek során rákot, születési rendellenességeket okozó vagy más, reprodukciót károsító hatású vegyi anyagok szabadulhatnak fel. Ilyen anyagok lehetnek például a következők:

- ólombázisú festékből származó ólom
- téglaából, cementből és más kőművesipari termékekből származó kristályos szilícium-dioxid
- vegykezelt faanyagokból származó arzén és króm.

Az ilyen kitétségek kockázata attól függ, hogy Ön milyen gyakorisággal végez ilyen típusú munkát. Az ilyen vegyi anyagoknak való kitétség csökkentése érdekében: jól szellőző területen és jóváhagyott biztonsági felszerelésekkel dolgozzon, mint például az olyan pormaszkok, amelyeket kifejezetten mikroszkopikus részecskék kiszűrésére fejlesztettek ki.

RENDELTESSZERŰ HASZNÁLAT

A szerszám csőmenetek és csavarmentek vágására szolgál jobb- és balmenetek számára, 2" méretig. A rendelési céltól eltérő minden más felhasználás tilos.

ÖSSZESZERELÉS

FIGYELMEZTETÉS

Csak kifejezetten ehhez a szerszámmal ajánlott tartozékokat használjon. Más tartozékok veszélyesek lehetnek.

A vágófejek beszerelése/eltávolítása

A vágófej a szerszám bármelyik oldaláról behelyezhető. A vágófej/adapter a szerszám megfelelő oldaláról helyezhető be.

Magyar

1. Vegye ki az akkumulátort.
2. Szerelje be a vágófejeket/adaptereket az ábrán látható módon.
3. A vágás megkezdése előtt mindig ellenőrizze a vágófej megfelelő rögzítését a szerszámban.
4. Az eltávolításhoz lazítsa meg a vágófejrgőzítő gyűrűt, és húzza ki a vágófejet a szerszámból.

ÜZEMELTETÉS

Ellenállás a menetvágási erőnek

Mindig használja a szerszámhoz mellékelte tartóeszközt. A rögzítőkár a csőre csatlakozik, és segít ellenállni a menetvágási erőnek.

FIGYELMEZTETÉS! Az irányítás elvesztése az üzemeltetés során személyi sérüléshez vezethet.

A fordulatszám beállítása

A fordulatszámváltó a burkolat tetején található. A fordulatszám módosításához várja meg a szerszám teljes leállítását.

A vezérlőkapcsoló használata

A vezérlőkapcsoló három pozícióba állítható: óramutató járásával megegyező, óramutató járásával ellentétes, valamint lezárt. A vezérlőkapcsoló használata előtt várja meg a motor teljes leállítását.

Az óramutató járásával megegyező forgás érdekében nyomja be a vezérlőkapcsolót a szerszám bal oldala felől. **A használat előtt ellenőrizze a forgási irányt. Ez a forgás jobbmenetes vágást eredményez, ha a vágófejet a szerszám bal (elülső) oldala felől helyezik be.**

Az óramutató járásával ellentétes forgás érdekében nyomja be a vezérlőkapcsolót a szerszám jobb oldala felől. **A használat előtt ellenőrizze a forgási irányt. Ez a forgás jobbmenetes vágást eredményez, ha a vágófejet a szerszám jobb (hátsó) oldala felől helyezik be.**

Mindig zárja le a vezérlőkapcsolót vagy távolítsa el az akkumulátort karbantartás, tartozékok cseréje és a szerszám tárolása előtt, illetve ha nem használja a szerszámot.

Menetek

Készítse elő megfelelően a csövet. Győződjön meg arról, hogy a csövet egyenesen vágják le és lesorjazzák. A ferdén levágott cső kárt tehet a vágófejekben a menetvágás során, és a vágófej bekapcsolásának nehézségét okozhatja. A felhasználás során a csőnek stabilnak és rögzítettnek kell lennie a felbillenés megelőzése érdekében. Használjon megfelelő csőtartókat a cső hosszának alátámasztására.

FIGYELMEZTETÉS! Ne viseljen ékszereket, lazán illeszkedő ruházatot, és ne használjon rongyot a szerszám üzemeltetése során. Ne viseljen becsipődésre hajlamos kesztyűt a mozgó részekben vagy azok közelében; ez növeli a beakadás és sérülések kockázatát. Amikor a vágófejek befogják a csövet, megkezdődik a menetvágás, amint a vágófejek a cső végére húzzák magukat.

FIGYELMEZTETÉS! Mindig erősen tartsa a szerszámot az erőnek való ellenállás érdekében. A rögzítőeszközök ritkán elcsúszhatnak, a szerszám pedig elmozdulhat.

Használjon olajozót, és vigyen fel nagyobb mennyiségű vágóolajat a területre. Ez csökkenti a szükséges menetvágási nyomatókat, növeli a menet minőségét és a vágófej élettartamát.

FIGYELMEZTETÉS! A vágott felületek élesek lehetnek. Tisztítsa fel a kiömlött olajmaradványokat a biztonságos munkakörnyezet fenntartása érdekében.

Balmenetes felhasználás esetén fordítsa meg az óramutató járásával megegyező/ellentétes beállítást.

A menetek ellenőrzése/mérőgyűrű használata

1. Töröljön le minden olajat, sorját vagy törmelékét a menetről.
2. Vizsgálja meg a menetet. A meneteknek simának, teljesnek és megfelelő formájúnak kell lenniük. Az olyan rendellenességek, mint a menetszakadás, a vékony menet vagy a cső egyeneslenség, a menet nem megfelelő tömítését eredményezik.
3. A menet méretének mérőgyűrűvel történő ellenőrzéséhez csavarja fel a mérőgyűrűt a csőre, és szorítsa meg kézzel. A cső végének egy szintben kell lennie a mérőgyűrű oldalával (+/- egy fordulat). Ha a menet nem illeszkedik megfelelően, akkor vágja le a menetet, állítsa be a vágófejet, és vágjon egy másik menetet. **FIGYELMEZTETÉS!** A nem megfelelően illeszkedő menet használata szivárgásokat okozhat.

KARBANTARTÁS

Karbantartás, javítás, tisztítás, stb. előtt az akkumulátort ki kell venni a készülékből.

Soha ne nyissa fel a csőmenetvágót, a kivehető akkumulátort vagy a töltőt.

Vizsgálja meg a csőmenetvágót bármilyen olyan probléma – zaj, mozgó alkatrészek beszorulása – tekintetében, amely befolyással lehet a szerszámra.

Ellenőrizze, hogy nincsenek-e repedések és egyéb elhasználódási nyomok a vágószerszámokon.

Tisztítsa meg a nyílásokat a portól és törmelékektől. A markolatot tartsa tisztán, szárazon, olajtól és zsírtól mentesen. A tisztításra kizárólag enyhén mosószeres vizet és puha rongyot használjon, mivel bizonyos tisztító- és oldószerek kárt tehetnek a műanyag és más szigetelt részekben. Ilyen anyagnak számít többek között a benzin, a terpentin, a lakkhígító, a festékkihígító, a klórtartalmú tisztítóoldatok, az ammónia és az ammóniatartalmú háztartási tisztítószerek. Szerszámok közelében soha ne használjon gyúlékony vagy éghető oldószereket.

Ellenőrizze, hogy a vágófejek élesek-e, és mindig garnitúrában cserélje az elhasznált vágófejeket.

Cserélje ki a vágópofákat, ha töredezettek vagy sérültek.

A vágófejeket mindig garnitúrában cserélje.

A sérülés és károsodás elkerülése érdekében a szerszámot, a cserélhető akkumulátort és a töltőt soha ne merítse folyadékba, és ne engedje folyadék behatolását ezekbe.

A készülék szellőzőnyílásait mindig tisztán kell tartani.

További szerviz- és javítási munkát csak hivatalos szakszervizek végezhetnek.

Csak Milwaukee tartozékokat és Milwaukee pótalkatrészeket szabad használni. Az olyan elemeket, melyek cseréje nincs ismertette, cseréltesse ki Milwaukee szervizzel (lásd Garancia/Ügyfélszolgálat címei kiadványt).



Mag

Szükség esetén a készülékek robbantott ábráját - a készülék típusa és azonosító száma alapján a területileg illetékes TTI márkaszerviztől vagy közvetlenül a gyártótól (Techtronic Industries GmbH, Max-Eyth-Straße 10, 71364 Winnenden, Germany) lehet kérni.

ONE-KEY™

Az eszköz ONE-KEY funkcióinak részletes ismertetését megtalálja a termékhez mellékelt Gyors Kezdés útmutatóban vagy ezen a honlapon: <http://www.milwaukeeetool.com/one-key>

A ONE-KEY alkalmazás az App Store-ból vagy a Google Play-ből tölthető le.

A vizsgálati eredmény teljesíti az EN 301 489-1 / EN 301 489-17 szerinti minimális követelményeinket. Az üzemeltetési útmutatót a felhasználói kézikönyvben biztosítjuk a vevő számára.



AKKUK

A hosszabb ideig üzemben kívüli lévő akkumulátort használat előtt ismételten fel kell tölteni.

50°C feletti hőmérsékletnél csökkenhet az akkumulátor teljesítménye. Kerülni kell a túlzottan meleg helyen vagy napon történő hosszabb idejű tárolást.

A töltő és az akkumulátor csatlakozóit mindig tisztán kell tartani.

Az optimális élettartam érdekében használat után az akkukat teljesen fel kell tölteni.

A lehetőleg hosszú élettartamhoz az akkukat feltöltés után ki kell venni a töltőkészülekből.

Az akku 30 napot meghaladó tárolása esetén:

Az akkut kb. 27 °C-on, száraz helyen kell tárolni.

Az akkut kb. 30-50%-os töltöttségi állapotban kell tárolni.

Az akkut 6 havonta újra fel kell tölteni.

Ügyeljen arra, hogy a töltő aknájába ne kerüljön semmilyen fém tárgy, mert ez rövidzárlatot okozhat.

AZ AKKUMULÁTOR TÚLTERHELÉS ELLENI VÉDELME

Az akku túl magas áramfogyasztás miatti, pl. túl nagy forgatónyomatékok, a fúró megszorulása, hirtelen leállás következtében fellépő túlterhelése esetén az elektromos szerszám 2 másodpercig zűg, és önműködően lekapcsol.

LÍTIUM-ION AKKUK SZÁLLÍTÁSA

A lítium-ion akkuk a veszélyes áruk szállítására vonatkozó törvényi rendelkezések hatálya alá tartoznak.

Az ilyen akkuk szállításának a helyi, országos és nemzetközi előírások és rendelkezések betartása mellett kell történnie.

A fogyasztók minden további nélkül szállíthatják az ilyen akkukat közúton.

A lítium-ion akkuk szállítmányozási vállalatok általi kereskedelmi célú szállítására a veszélyes áruk szállítására vonatkozó rendelkezések érvényesek. A kiszállítás előkészítését és a szállítást kizárólag megfelelő képzettségű személyek végezhetik. A teljes folyamatnak szakmai felügyelet alatt kell történnie.

A következő pontokat kell figyelembe venni akkuk szállításakor:

Biztosítsa, hogy a rövidzárlatok elkerülése érdekében az érintkezők védve és szigetelve legyenek. Ügyeljen arra, hogy az akkusomag ne tudjon elcsúszni a csomagoláson belül. Tilos sérült vagy kifolyt akkukat szállítani. További útmutatásokért forduljon szállítmányozási vállalatához.

CE-AZONOSSÁGI NYILATKOZAT

Kizárólagos felelősségünk alapján kijelentjük, hogy a „Műszaki adatok” fejezetben leírt termék megfelel a irányelvek összes vonatkozó rendelkezésének

2011/65/EU (RoHS)

2006/42/EK

2014/53/EU

harmonizált szabvány és a

EN 62841-1:2015

EN 62841-2-9:2015

EN 55014-1:2017+A11:2020

EN 55014-2:2015

EN 301 489-1 V2.2.3

EN 301 489-17 V3.1.1

EN 300 328 V2.2.2

EN 62479:2010

EN IEC 63000:2018



Winnenden, 2020-11-09

Alexander Krug / Managing Director

Műszaki dokumentáció összeállításra felhatalmazva

Techtronic Industries GmbH

Max-Eyth-Straße 10, 71364 Winnenden, Germany

SZIMBÓLUMOK



FIGYELEM! FIGYELMEZTETÉS! VESZÉLY!



Karbantartás, javítás, tisztítás, stb. előtt az akkumulátort ki kell venni a készülékből.



Tartsa távol kezét a mozgó alkatrészekről.



Kérjük alaposan olvassa el a tájékoztatót mielőtt a gépet használja.



Munkavégzés közben ajánlatos védőszemüveget viselni.



Mindig használja a rögzítőkart.



Mindig bőrkesztyűt viseljen..



Az eszköz lítium gombelemeket tartalmaz.



Feszültség



Egyenáram



Az elektromos eszközöket, elemeket/akkukat nem szabad a háztartási hulladékkal együtt ártalmatlanítani. Az elektromos eszközöket és akkukat szelektíven kell gyűjteni, és azokat környezetbarát ártalmatlanítás céljából hulladékhasznosító üzemben kell leadni. A helyi hatóságoknál vagy szakkereskedőjénél tájékozódjon a hulladékuadvarkról és gyűjtőhelyekről.



Európai megfelelőségi jelölés



Egyesült királyságbeli megfelelőségi jelölés



Ukrán megfelelőségi jelölés



Eurázsiai megfelelőségi jelölés



TEHNIČNI PODATKI Rezalnik navojev	M18 FPT2
Proizvodna številka	4773 51 01 000001-999999
Bluetooth-Frekvenčni pas (Frekvenčni pasovi)	2402 - 2480 MHz
Visokofrekvenčna	1,8 dBm
Bluetooth-verzija	4.0 BT signal mode
Baterijska tehnologija	Li-Ion
Napetost izmenljivega akumulatorja	18 V
Nazivno število vrtljajev 1. gonilo 2. gonilo	0 min ⁻¹ ... 29 min ⁻¹ 0 min ⁻¹ ... 41 min ⁻¹
Kapaciteta 1. gonilo 2. gonilo	1 1/2" ... 2" 32 mm ... 50 mm 1/8" ... 1 1/4" 3 mm ... 30 mm
Rezalne glave	Ridgid 12-R
Teža po EPTA-proceduri 01/2014 (Li-Ion 2.0 Ah ... 12.0 Ah)	10,54 kg ... 11,60 kg
Priporočena temperatura okolice za obratovanje	-18 °C ... +50 °C
Priporočeni kompleti akumulatorjev	M18B... min. 6.0 Ah M18HB...
Priporočeni polnilniki	M12-18..., M1418C6
Informacije o hrupnosti Vrednosti merjenja ugotovljene ustrezno z EN 62841. Raven hrupnosti naprave ovrednotena z A, znaša tipično:	
Nivo zvočnega tlaka (Nevarnost K=3dB(A)) Višina zvočnega tlaka (Nevarnost K=3dB(A))	74,2 dB(A) 85,2 dB(A)
Nosite zaščito za sluh!	
Informacije o vibracijah Skupna vibracijska vrednost (Vektorska vsota treh smerdoločena ustrezno EN 62841.	
Vibracijska vrednost emisij a _{hmax} Nevarnost K=	1,6 m/s ² 1,5 m/s ²



OPOZORILO!

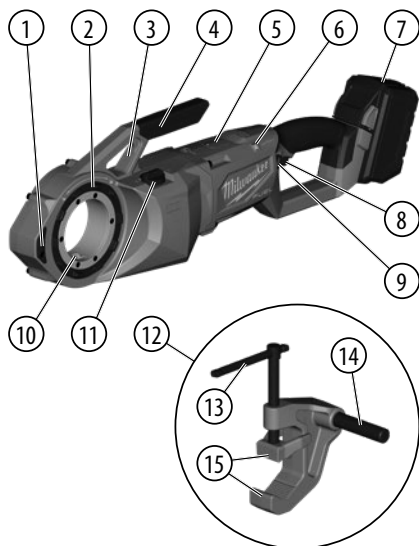
Raven vibracij in hrupa, navedena v tem informativnem listu, je bila izmerjena v skladu s standardiziranim preskusom iz EN 62841 in jo je mogoče uporabljati za primerjavo orodij med seboj. Mogoče jo je tudi uporabiti za predhodno oceno izpostavljenosti.

Navedena raven vibracij in hrupa predstavlja glavno uporabo orodja. Če pa se orodje uporablja za različne namene, z različnimi dodatki ali slabo vzdrževano, se lahko vibracije in hrup razlikujejo. To lahko znatno poveča raven izpostavljenosti v celotnem delovnem obdobju.

Pri oceni ravni izpostavljenosti vibracijam in hrupu je treba upoštevati tudi čas, ko je orodje izklopljeno ali ko teče, vendar dejansko ne opravlja dela. To lahko bistveno zmanjša raven izpostavljenosti v celotnem delovnem obdobju.

Ugotovite dodatne varnostne ukrepe za zaščito upravljavca pred učinki vibracij in/ali hrupa, kot so: vzdrževanje orodja in dodatkov, tople roke, organizacija delovnih vzorcev.

Nosite zaščito za sluh. Hrup lahko povzroči izgubo sluha.



Opis naprave

- | | |
|---------------------------------|---------------------|
| ① Stranska ročica | ⑨ Kontrolno stikalo |
| ② Varovalni obroč rezalne glave | ⑩ Prenos navora |
| ③ Pritrdilna točka nosilca | ⑪ Izbirnik hitrosti |
| ④ Nosilni ročaj | ⑫ Podporna objemka |
| ⑤ Notranja baterija | ⑬ Zatezna ročica |
| ⑥ Indikator ONE KEY | ⑭ Podporna ročica |
| ⑦ Akumulatorska baterija | ⑮ Čeljusti |
| ⑧ Sprežilo | |

⚠ OPOZORILO

Preberite vse varnostne napotke, navodila, prikaze in podatke, ki ste jih prejeli skupaj z napravo. Zaradi nespoštovanja spodaj navedenih navodil lahko pride do električnega udara, požara in/ali težkih telesnih poškodb.

Vsa opozorila in napotila shranite, ker jih boste v prihodnje še potrebovali.

⚠ VARNOSTNA NAVODILA ZA REZALNIKE NAVOJEV

- Vedno uporabljajte podporno napravo, priloženo orodju. Izguba nadzora med delovanjem lahko pripelje do telesnih poškodb.
- Med delovanjem orodja naj bodo rokavi in jakne zapeti. Ne segajte po orodju ali cevi. Oblačila se lahko ujamejo v cevi ali orodja, kar povzroči zapletanje.
- Samo ena oseba mora nadzorovati delovni postopek in delovanje orodja. Dodatne osebe, vključene v postopek, lahko povzročijo nenamerno delovanje in telesne poškodbe.
- Tla naj bodo suha in brez spolzkih materialov, kot je olje. Spolzka tla lahko privedejo do nesreč.

Nadaljna varnostna in delovna opozorila

- Pri rezanju navoja ali podpiranju rezalne glave cevi trdno držite orodje, da se uprete silam ne glede na uporabljeno podporno napravo. To bo zmanjšalo tveganje za udarce, zmečkanine in druge telesne poškodbe.
- Ne uporabljajte matric, ki kažejo znake obrabe, so tope ali poškodovane. Ostro rezalno orodje zahteva manj navora in orodje je lažje nadzorovati.
- Uporabljajte samo:**
 - Rems Quick change 1/8" ... 2" (s priključnimi obroči)
 - Rothenberger Rezalne glave 1/4" ... 2" (s priključnimi obroči)
 - Ridgid 11-R 1/4" ... 2" (s priključnimi obroči)
 - Ridgid 12-R
- Ne shranjujte matric v orodju, da preprečite obrabo kovin na kovinah.**
- Pri uporabi orodja vedno uporabljajte zdrav razum in bodite previdni.** Vseh situacij, ki bi lahko privedle do nevarnega rezultata, ni mogoče predvideti. Tega orodja ne uporabljajte, če ne razumete teh navodil za uporabo ali če menite, da je delo zunaj vaših zmožnosti. Za dodatne informacije ali usposabljanje se obrnite na Milwaukee Tool ali usposobljenega strokovnjaka.
- Etiket in tipskih tablic ne odstranjujte.** Te tablice vsebujejo pomembne informacije. Kadar te oznake niso več berljive ali manjkajo, se obrnite na MILWAUKEE-servisno službo, za prejem brezplačnega nadomestila.



OPOZORILO

Nekatere vrste prahu, ki nastane zaradi električnega brušenja, žaganja, brušenja, vrtnanja in drugih gradbenih dejavnosti, vsebujejo kemikalije, za katere je znano, da povzročajo raka, prirojene okvare ali drugače škodujejo sposobnosti reprodukcije. Nekateri primeri teh kemikalij so:

- svinec iz barve na osnovi svinca
- kristalni silicijev dioksid iz opeke in cementa ter drugih zidanih izdelkov ter
- arzena in kroma iz kemično obdelanega lesa.

Tveganje pri tej izpostavljenosti je različno in odvisno od tega, kako pogosto opravljate to vrsto dela. Za zmanjšanje izpostavljenosti tem kemikalijam: delajte v dobro prezračenem prostoru in delajte z odobreno varnostno opremo, kot so maske za zaščito pred prahom, ki so posebej izdelane za filtriranje mikroskopskih delcev.

UPORABA V SKLADU Z NAMEMBNOSTJO

To orodje je namenjeno za rezanje navojev cevi in navojev vijakov za desni in levi navoj velikosti do 2". Druge uporabe, ki niso namenjene namenu, so prepovedane.



Slo

**OPOZORILO**

Uporabljajte izključno pribor, ki je posebej priporočen za to orodje. Drugi pribor je lahko nevaren.

Namestitev/odstranjanje rezalnih glav

Rezalne glave lahko vstavite z obeh strani orodja.

Rezalne glave/adapterji morajo biti vstavljeni s pravilne strani orodja.

1. Odstranite baterijski sklop.
2. Namestite rezalne glave/adapterje, kot je prikazano na sliki
3. Preden začnete rezati, vedno preverite, ali je rezalna glava pritrjena v orodju.
4. Če jo želite odstraniti, sprostite varovalni obroč navojne rezilne glave in izvlecite rezalno glavo iz orodja.



Slo

UPRAVLJANJE

Upiranje navojnim silam

Vedno uporabljajte podporno napravo, priloženo orodju. Nosilec se pritrdi na cev in pomaga pri upiranju navojnim silam.

OPOZORILO! Izguba nadzora med delovanjem lahko pripelje do telesnih poškodb.

Izbira hitrosti

Izbirnik hitrosti je na zgornji strani ohišja. Počakajte, da se orodje popolnoma ustavi, preden spremenite hitrost.

Uporaba kontrolnega stikala

Kontrolno stikalo se lahko nastavi na tri položaje:: v smeri urnega kazalca, v nasprotni smeri urnega kazalca in zaklepanje. Pred uporabo kontrolnega stikala vedno počakajte, da se motor popolnoma ustavi.

Za vrtenje v smeri urnega kazalca pritisnite kontrolno stikalo z leve strani orodja. **Pred uporabo preverite smer vrtenja. To vrtenje ustvari desni navoj, ko je rezalna glava vstavljena z leve (sprednje) strani orodja.**

Za vrtenje v nasprotni smeri urnega kazalca pritisnite kontrolno stikalo z desne strani orodja. **Pred uporabo preverite smer vrtenja. To vrtenje ustvari desni navoj, ko je rezalna glava vstavljena z desne (zadnje) strani orodja.**

Pred vzdrževanjem, menjavo pribora, shranjevanjem orodja in kadar koli orodje ni v uporabi vedno zaklenite sprožilec ali odstranite baterijo.

Rezanje navojev

Pravilno pripravite cev. Prepričajte se, da je cev ravno odrezana in pobrušena. Cev, odrezana pod kotom, lahko med rezanjem navoja poškoduje rezalno glavo in povzroči težave pri vpenjanju rezalne glave. Cev mora biti stabilna in pritrjena, da se med uporabo ne prevrne. Za podporo dolgih cevi uporabite ustrezna stojala za cevi.

OPOZORILO! Med uporabo orodja ne nosite nakita, širokih oblačil ali krpe. Med potiskanjem ali v bližini premikajočih se delov ne nosite rokavic, ki bi se lahko zatakile; to povečuje tveganje zapletanja in telesnih poškodb. Ko se rezalne glave zataknejo za cev, se navoji režejo, ko se rezilne glave povlečejo do konca cevi.

OPOZORILO! Vedno trdno držite orodje, da se uprete silam orodja. Podporne naprave lahko v redkih primerih zdrsnjejo in povzročijo premikanje orodja.

Uporabite pripravo za nanašanje olja in na to območje nanesite zadostno količino olja za rezanje navojev. To bo zmanjšalo potreben navor navojev, izboljšalo kakovost rezanja navojev in podaljšalo življenjsko dobo rezalne glave.

OPOZORILO! Rezila so lahko ostra. Očistite razlita olja, da ohranite varno delovno okolje.

Za levi navoj obrnite izbire v smeri urnega kazalca/v nasprotni smeri urnega kazalca.

Pregled navojev/uporaba kalibrskega merila

1. Z navoja obrišite olje, ostružke ali ostanke.
2. Preglejte navoj. Navoji morajo biti gladki, popolni in dobre oblike. Če opazite nepravilnosti, kot so trganje navoja, tanki navoji ali neenakomernost cevi, navoj morda ne bo tesnil.
3. Če želite preveriti velikost navoja z merilnim obročem, ga privijte na cev in ga ročno privijte. Konec cevi mora biti poravnana s stranjo merilnega obroča (plus ali minus en obrat). Če navoj nima pravilno mer, odrežite navoj, nastavite rezilno glavo in narežite drug navoj. **OPOZORILO!** Uporaba navoja z nepravilnimi merami lahko povzroči puščanje.

VZDRŽEVANJE

Pred vsemi deli na stroji odstranite izmenljivi akumulator.

Nikoli ne odpirajte rezalnika navojev, nadomestnega akumulatorja ali polnilnika.

Preverite rezalnik navojev glede morebitnih težav, kot je zvok ali zataknevanje premikajočih se delov, ki bi lahko ovirali orodje.

Preverite rezilna orodja glede razpok in drugih vidnih sledi obrabe.

Z odprtih očistite prah in umazanijo. Ročaj naj bo vedno čist, suh in brez olja ali masti. Za čiščenje uporabljajte samo blago milnico in vlažno krpo, saj so nekatera čistilna sredstva in topila škodljiva za plastiko in druge izolirane dele. Nekateri od teh vsebujejo bencin, terpentin, razredčilo za lak, razredčilo za barve, klorirana čistila, amoniak in gospodinjstva čistilna sredstva, ki vsebujejo amoniak. V bližini orodja nikoli ne uporabljajte gorljivih ali vnetljivih topil.

Pazite, da so rezalne glave ostre, in obrabljene rezalne glave nadomestite z novimi rezalnimi glavami.

Zamenjajte rezila, ko postanejo lomljiva ali so vidno poškodovana.

Rezalne glave vedno zamenjajte v parih.

Za preprečevanje telesnih poškodb ali škode orodja, nadomestnega akumulatorja ali polnilnika nikoli ne potaplajte v tekočino ali dovolite, da tekočina vstopi vanje.

Pazite na to, da so prezračevalne reže stroja vedno čiste.

Nadaljnje storitve in popravila smejo izvajati samo pooblaščen specializirane delavnice.

Uporabljajte samo Milwaukee pribor in Milwaukee nadomestne dele. Poskrbite, da sestavne dele, katerih zamenjava ni opisana, zamenjajo v Milwaukee servisni službi (upoštevajte brošuro Garancija aslovi servisnih služb).

Po potrebi se lahko pri vaši servisni službi ali direktno pri Techtronic Industries GmbH naroči eksplozijska risba naprave ob navedbi tipa stroja in številke s tipske ploščice Techtronic Industries GmbH, Max-Eyth-Straße 10, 71364 Winnenden, Germany.

ONE-KEY™

Če želite izvedeti več o delovanju z ENIM KLJUČEM te naprave, si ogledajte navodila za hiter zagon, ki vsebujejo ta izdelek ali obiščite spletno stran <http://www.milwaukeetool.com/one-key>

Aplikacijo ONE-KEY si lahko snamete na pametni telefon v trgovini App Store ali Google Play.

Preizkusni izid izpolnjuje naše minimalne zahteve po EN 301 489-1 / EN 301 489-17. A zákaznikovi dame prevádzkové pokyny v užívateľskej príručke.

AKUMULATORJI

Izmenljive akumulatorje, ki jih daljši čas niste uporabljali, pred uporabo naknadno napolnite.

Temperatura nad 50°C zmanjšuje zmogljivost izmenljivega akumulatorja. Izogibajte se daljšemu segrevanju zaradi sončnih žarkov ali gretja.

Pazite, da ostanejo priključni kontakti na polnilnem aparatu in izmenljivem akumulatorju čisti.

za optimalno življenjsko dobo je potrebno akumulatorje po uporabi do konca napolniti.

Za čim daljšo življenjsko dobo naj se akumulatorji po napolnitvi vzamejo ven iz naprave za polnjenje.

Pri skladiščenju akumulatorjev dalj kot 30 dni:

Akumulatork skladiščiti pri 27°C in na suhem.

Akumulatork skladiščiti pri 30%-50% stanja polnjenja.

Akumulatork spet napolniti vsakih 6 mesecev.

V odprtino za nameščanje izmenljivih akumulatorjev na polnilnih aparatih ne smejo zaiti nikakršni kovinski deli (nevarnost kratkega stika).

ZAŠČITA PREOBREMENITVE AKUMULATORJA

V primeru preobremenitve akumulatorjev zaradi zelo visoke porabe toka, npr. ekstremno visokih vrtilnih momentov, zatika svedra, nenadne zaustavitve ali kratkega stika, električno orodje 2 sekundi brni in se samodejno izklopi.

TRANSPORT LITIJ-IONSКИH AKUMULATORJEV

Litij-ionski akumulatorji so podvrženi zakonskim določbam transporta nevarnih snovi.

Transport teh akumulatorjev se mora izvajati upoštevajoč lokalne, nacionalne in mednarodne predpise in določbe.

Potrošniki lahko te akumulatorje še nadalje transportirajo po cesti.

Komercialni transport litij-ionskih akumulatorjev s strani špediterskih podjetij je podvržen določbam transporta nevarnih snovi. Priprava odpreme in transporta se lahko vrši izključno s strani ustrezno izšolanih oseb. Celoten proces je potrebno strokovno spremljati.

Pri transportu akumulatorjev je potrebno upoštevati sledeče točke:

V izogib kratkim stikom zagotovite, da bodo kontakti zaščiteni in izolirani. Bodite pozorni na to, da paket akumulatorja v notranjosti embalaže ne bo mogel zdrsniti. Poškodovanih ali iztekajočih akumulatorjev ni dovoljeno transportirati. Za nadaljnja navodila se obrnite na vaše špeditersko podjetje.

CE-IZJAVA O KONFORMNOSTI

S polno odgovornostjo izjavljamo, da izdelek, opisan pod „Tehnični podatki“ izpolnjuje vse ustrezne določbe direktiv

2011/65/EU (RoHS)

2006/42/ES

2014/53/ EU

ter da so bili uporabljeni naslednji harmonizirani standardi

EN 62841-1:2015

EN 62841-2-9:2015

EN 55014-1:2017+A11:2020

EN 55014-2:2015

EN 301 489-1 V2.2.3

EN 301 489-17 V3.1.1

EN 300 328 V2.2.2

EN 62479:2010

EN IEC 63000:2018



Winnenden, 2020-11-09

Alexander Krug / Managing Director

Pooblaščen za izdelavo spisov tehnične dokumentacije.

Techtronic Industries GmbH

Max-Eyth-Straße 10, 71364 Winnenden, Germany



SIMBOLI



POZOR! OPOZORILO! NEVARNO!



Pred vsemi deli na stroji odstranite izmenljivi akumulator.



Rok ne približujte premikajočim se delom.



Prosimo, da pred uporabo pozorno preberete to navodilo za uporabo.



Pri delu s strojem vedno nosite zaščitna očala.



Vedno uporabite podporno ročico.



Zmeraj nosite usnjene rokavice.



Ta naprava ima gumbasto/litijevo baterijo.

V

Napetost



Enosmerni tok



Električnih naprav, baterij/akumulatorjev ni dovoljeno odstranjevati skupaj z gospodinjskimi odpadki. Električne naprave in akumulatorje je potrebno zbirati ločeno in za okolju prijazno odstranitev, oddati podjetju za reciklažo. Pri krajevnem uradu ali vašem strokovnem prodajalcu se pozanimajte glede reciklažnih dvorišč in zbirnih mest.



Evropska oznaka za združljivost



Britanska oznaka za združljivost



Ukrajinska oznaka za združljivost



Evrazijska oznaka za združljivost



Slo

TEHNIČKI PODACI Stroj za rezanje navoja cijevi	M18 FPT2
Broj proizvodnje	4773 51 01 000001-999999
Bluetooth-pojas frekvencija (pojasevi frekvencija)	2402 - 2480 MHz
Visokofrekvencijska	1,8 dBm
Bluetooth-Verzija	4.0 BT signal mode
Akumulatorska tehnologija	Li-Ion
Napon baterije za zamjenu	18 V
Nazivni broj okretaja 1. stupanj brzine 2. stupanj brzine	0 min ⁻¹ ... 29 min ⁻¹ 0 min ⁻¹ ... 41 min ⁻¹
Kapacitet 1. stupanj brzine 2. stupanj brzine	1 1/2" ... 2" 32 mm ... 50 mm 1/8" ... 1 1/4" 3 mm ... 30 mm
Rezne glave	Ridgid 12-R
Težina po EPTA-proceduri 01/2014 (Li-Ion 2.0 Ah ... 12.0 Ah)	10,54 kg ... 11,60 kg
Preporučena temperatura okoline za pogon	-18 °C ... +50 °C
Preporučeni akumulatorski paket	M18B... min. 6.0 Ah M18HB...
Preporučeni punjači	M12-18..., M1418C6
Informacije o buci Mjerne vrijednosti utvrđene odgovarajuće EN 62841. A-ocijenjeni nivo buke aparata iznosi tipično:	
Nivo pritiska zvuka (Nesigurnost K=3dB(A))	74,2 dB(A)
Nivo učinka zvuka (Nesigurnost K=3dB(A))	85,2 dB(A)
Nositi zaštitu sluha!	
Informacije o vibracijama Ukupne vrijednosti vibracije (Vektor suma tri smjersu odmjerene odgovarajuće EN 62841)	
Vrijednost emisije vibracije a _{hmax}	1,6 m/s ²
Nesigurnost K=	1,5 m/s ²



Hrv

UPOZORENIE!

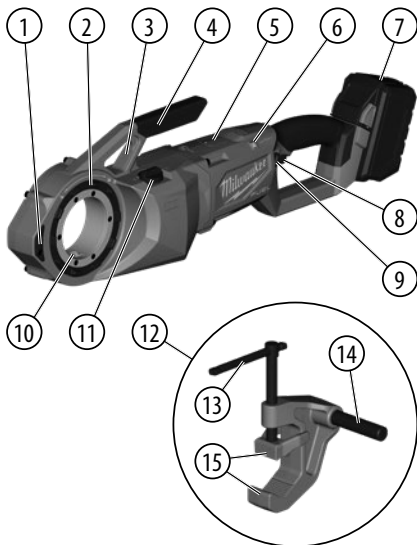
Razine emisije vibracija i buke navedena u ovom informacijskom listu izmjerene su u skladu sa standardiziranim ispitom koji propisuje EN 62841 i mogu se upotrebljavati za međusobnu usporedbu alata. Također se mogu upotrebljavati za prethodnu procjenu izloženosti.

Navedene razine emisija vibracija i buke predstavljaju glavnu svrhu primjene alata. Međutim, ako se alat upotrebljava u druge svrhe, s drugim priborom ili se ne održava dovoljno, emisije vibracija i buke mogu biti drukčije. To može značajno povećati razinu izloženosti tijekom cjelokupna razdoblja rada.

Procjena razine izloženosti vibracijama i buci također bi u obzir trebala uzeti razdoblja tijekom kojih je alat isključen ili kada je uključen, no njime se ne obavlja nikakav rad. Time se značajno može smanjiti razina izloženosti tijekom cjelokupna razdoblja rada.

Utvrdite dodatne sigurnosne mjere kako biste zaštitili rukovatelja od ovih učinaka vibracija i/ili buke, primjerice: održavanje alata i pribora, osiguravanje da ruke budu tople, organizacija obrazaca rada.

Nosite zaštitu za sluh. Djelovanje buke može uzrokovati gubitak sluha.



Opis proizvoda

- | | |
|------------------------------------|-----------------------------|
| ① Bočna drška | ⑧ Okidač |
| ② Blokirni prsten za rezne glave | ⑨ Kontrolni prekidač |
| ③ Pričvrsna točka za potporni krak | ⑩ Prijenos okretnog momenta |
| ④ Ručka za nošenje | ⑪ Birač stupnja brzine |
| ⑤ Unutarnja baterija | ⑫ Potporna stezaljka |
| ⑥ Indikator s JEDNOM TIPKOM | ⑬ Zatezni krak |
| ⑦ Zamjenska baterija | ⑭ Potporni krak |
| | ⑮ Stezaljke |

⚠ UPOZORENIE

Pročitajte sve sigurnosne upute, napomene, prikaze i podatke koje dobijete uz uređaj. Ako se ne bi pridržavali slijedećih uputa, moglo bi doći do električnog udara, požara i/ili teških ozljeda.

Sačuvajte sve napomene o sigurnosti i upute za buduću primjenu.

⚠ SIGURNOSNE UPUTE ZA STROJEVE ZA REZANJE NAVOJA CIJEVI

- Uvijek upotrebljavajte pomoćni uređaj isporučuen s alatom. Gubitak kontrole tijekom rada može uzrokovati tjelesne ozljede.
- Rukavi i ogrtači moraju biti zakopčani tijekom rukovanja alatom. Nemojte posezati preko alata ili cijevi. Cijev ili alat mogu zahvatiti odjeću, što može dovesti do zapletanja.
- Radnim procesom i rukovanjem alatom smije upravljati samo jedna osoba. Dodatne osobe koje sudjeluju u procesu mogu uzrokovati neprimjeren način rada ili pretrpjeti tjelesne ozljede.
- Podovi moraju biti suhi i na njima se ne smiju nalaziti skliski materijali kao što je ulje. Zbog skliskih podova može doći do nezgoda.

Ostale sigurnosne i radne upute

- Tijekom rezanja ili podupiranja rezne glave na cijevi čvrsto pridržavajte alat da biste pružili otpor silama, bez obzira na vrstu upotrijebljenog potpornog uređaja. Time će se smanjiti opasnost od udaraca, prignječenja i ostalih vrsta ozljeda.
- Nemojte upotrebljavati glave na kojima su vidljive naznake trošenja, koje su tupe ili koje su oštećene. Oštrim reznim alatima potreban je manji broj okretnih momenata i njima se jednostavnije upravlja.
- Upotrebljavajte samo:**
 - Rems Quick change 1/8" ... 2" (uz adapterske prstenove)
 - Rothenberger Rezne glave 1/4" ... 2" (uz adapterske prstenove)
 - Ridgid 11-R 1/4" ... 2" (uz adapterske prstenove)
 - Ridgid 12-R
- Nemojte držati rezne glave u alatu kako biste spriječili trošenje međusobnim kontaktom metala.**
- Uvijek postupajte savjesno i oprezno tijekom upotrebe alata.** Nije moguće predvidjeti svaku situaciju koja bi mogla imati opasan ishod. Nemojte se koristiti ovim alatom ako ne razumijete ove upute za rad ili ako ste mišljenja da niste sposobni za to; stupite u kontakt s društvom Milwaukee Tool ili educiranim stručnjakom za dodatne informacije ili edukaciju.
- Etikete i pločice tipova ne ukloniti.** Ove pločice sadrže važne informacije. Ako ove pločice uputa više nisu čitke ili nedostaju, obratite se servisu MILWAUKEE da bi dobili besplatnu zamjenu.

⚠ UPOZORENIE

Određena prašina nastala snažnim pjeskarenjem, plijanjem, brušenjem i drugim radnjama sadrži kemikalije koje su poznati uzročnici za rak, nastanak urođenih mana ili druge reproduktivne poteškoće. Određeni primjeri tih kemikalija su sljedeći:

- olovo iz boje na bazi olova
- kristalni silicijev dioksid iz opeka i cementa te drugih zidarskih proizvoda, te
- arsen i krom iz kemijski obrađena drva.

Opasnosti za vas tijekom izloženosti tim kemikalijama variraju ovisno o tome koliko često obavljate ovu vrstu rada. Kako biste smanjili stupanj izloženosti ovim kemikalijama: radite u dobro prozračenu području i radite s odobrenom zaštitnom opremom kao što su maske za prašinu koje su posebno dizajnirane za filtriranje mikroskopskih čestica.

PROPIISNA UPOTREBA

Ovaj je alat namijenjen rezanju navoja cijevi i vijčanih navoja za desne i lijeve navoje veličine do 2". Zabranjeni su drugi oblici upotrebe koji nisu u skladu s predviđenom upotrebom.

**UPOZORENJE**

Upotrebljavajte isključivo pribor specifično preporučan za ovaj alat. Drugi elementi pribora mogu biti opasni.

Postavljanje / uklanjanje reznih glava

Rezna glava može se umetnuti s bilo koje strane alata.

Rezna glava / adapter mora se umetnuti s odgovarajuće strane alata.

1. Izvadite paket baterija.
2. Montirajte rezne glave / adaptere u skladu s prikazom
3. Prije početka postupka rezanja uvijek provjerite je li rezna glava blokirana u alatu.
4. Da biste je uklonili, deblokirajte blokirni prsten rezne glave i izvadite reznu glavu iz alata.

RUKOVANJE**Pružanje otpora reznim silama**

Uvijek upotrebljavajte pomoćni uređaj isporučen s alatom. Potporni krak steže se za cijev i pomaže pri pružanju otpora reznim silama.

UPOZORENIE! Gubitak kontrole tijekom rada može uzrokovati tjelesne ozljede.

Odabir stupnja brzine

Birač stupnja brzine nalazi se na vrhu kućišta. Pustite alat da se u potpunosti zaustavi prije promjene stupnjeva brzine.

Upotreba kontrolnog prekidača

Kontrolni prekidač može se namjestiti u tri položaja: u smjeru kazaljke na satu, suprotno smjeru kazaljke na satu i blokirani položaj. Uvijek pustite motor da se u potpunosti zaustavi prije upotrebe kontrolnog prekidača.

Za rotaciju u smjeru kazaljke na satu gurajte kontrolni prekidač s lijeve strane alata. **Prije upotrebe provjerite smjer rotacije. Rotacijom tim smjerom proizvodit će se desni navoji kada se umetak umetne s lijeve (prednje) strane alata.**

Za rotaciju suprotno smjeru kazaljke na satu gurajte kontrolni prekidač s desne strane alata. **Prije upotrebe provjerite smjer rotacije. Rotacijom tim smjerom proizvodit će se desni navoji kada se umetak umetne s desne (stražnje) strane alata.**

Uvijek blokirajte sklopku za uključivanje ili uklonite baterije prije provođenja radova održavanja, promjene pribora, pospremanja alata ili svaki put kada se alat ne upotrebljava.

Rezanje navoja

Pravilno pripremite cijev. Osigurajte da se cijev reže pod pravim kutom te da se uklone rhovi. Rezanje cijevi pod nepravilnim kutom može oštetiti glave tijekom postupka rezanja te može dovesti do poteškoća pri rukovanju reznom glavom. Cijev mora biti stabilna i zaštićena radi sprječavanja prevrtanja tijekom upotrebe. Koristite se odgovarajućim stalcima za cijevi da biste podržali cijelu duljinu cijevi.

UPOZORENIE! Nemojte nositi nakit, široku odjeću niti upotrebljavati krpu pri rukovanju alatom. Nemojte nositi rukavice koje bi mogle zapeti pri garanju na ili u blizini pokretnih dijelova. Time se povećava opasnost od zapletanja i ozljeda. Kada glave dospiju u kontakt s cijevi, navoji će se rezati dok se glave budu gurale prema kraju cijevi.

UPOZORENIE! Uvijek čvrsto pridržavajte alat da biste pružili otpor silama alata. Pomoćni uređaji mogli bi, u rijetkim slučajevima, skliznuti i dovesti do pomicanja alata.

Koristite se mazalicom za nanošenje obilne količine ulja za rezanje navoja na dotično područje. Time će se smanjiti potreba za visokim brojevima okretaja pri rezanju navoja, poboljšati kvaliteta navoja i produljiti vijek trajanja glava.

UPOZORENIE! Odrezani dijelovi mogu biti oštri. Uklonite sve ostatke ulja da biste osigurali sigurno radno okruženje.

Za navoje s lijeve strane promijenite odabir u smjeru / suprotno smjeru kazaljke na satu.

Provjera navoja / upotreba prstenastog mjerila

1. Uklonite svo ulje, ostatke i krhotine s navoja.
2. Provjerite navoj. Navoji moraju biti glatki, potpuni i u dobrom stanju. Ako su vidljive nepravilnosti kao što su lom navoja, tanki navoji ili izobličenja cijevi, navoj možda neće brtviti.
3. Da biste veličinu navoja provjerili prstenastim mjerilom, zavrnite mjerilo na cijev i ručno ga zategnite. Kraj cijevi mora biti poravnat s bočnim dijelom mjerila (s jednim okretajem više ili manje). Ako se navoj ne može pravilno izmjeriti, odrežite navoj, namjestite reznu glavu i narežite još jedan navoj. **UPOZORENIE!** Upotreba navoja koji se ne može pravilno izmjeriti može dovesti do curenja.

ODRŽAVANJE

Prije svih radova na stroju izvaditi bateriju za zamjenu.

Nikad ne otvarajte stroj za rezanje navoja cijevi, zamjenjivu bateriju ni punjač.

Provjerite ima li stroj za rezanje navoja cijevi bilo kakve probleme kao što je buka ili zahvaćanje pokretnih dijelova koji bi mogli utjecati na funkciju alata.

Provjerite imaju li alatke za sječenje napuklina ili znakova pohabanosti.

Očistite prašinu i nakupine iz otvora. Držite držak uređaja čistim, suhim i izvan doticaja s uljem ili mašću. Upotrebljavajte blagi sapun i vlažnu krpu za čišćenje jer su određena sredstva za čišćenje i otapala štetna za plastiku i druge izolirane dijelove. Neki od njih su benzin, terpentin, razrjeđivač za lakove, razrjeđivač za boju, otapala za čišćenje koja sadrže klor, amonijak i deterđenti za kućanstvo koji sadrže amonijak. Nikada u blizini alata nemojte upotrebljavati zapaljiva otapala ili otapala koja se mogu samostalno zapaliti.

Provjerite jesu li glave oštre i uvijek zamijenite istrošene glave novim kompletom.

Zamijenite kalupe za rezanje kada postanu okrnjeni ili oštećeni.

Uvijek zamijenite glave novim kompletom.

Kako biste izbjegli ozljede, nikada ne uranjajte alatku, zamjensku bateriju ili punjač u tekućinu odnosno na dozvolite da tekućina dospije u njih.

Proreze za prozračivanje stroja uvijek držati čistima.

**Hrv**

Dodatne servisne radove i popravke smiju provoditi samo ovlaštene specijalizirane radionice.

Primijeniti samo Milwaukee opremu i Milwaukee rezervne dijelove. Sastavne dijelove, čija zamjena nije opisana, dati zamijeniti kod jedne od Milwaukee servisnih službi (poštivati brošuru Garancija/ Adrese servisa).

Po potrebi se može zatražiti crtež eksplozije aparata uz davanje podataka o tipu stroja i desetoznamenastog broja na pločici snage kod Vaše servisne službe ili direktno kod Techtronic Industries GmbH, Max-Eyth-Straße 10, 71364 Winnenden, Germany.

ONE-KEY™

Kako biste saznali više o ONE-KEY funkcionalnosti ovog uređaja, pogledajte vodič za brzo pokretanje ili idite na mrežnu stranicu <http://www.milwaukeeetool.com/one-key>

Aplikaciju ONE-KEY možete preuzeti na vaš pametni telefon preko App Store ili Google Play.

Rezultat ispitivanja ispunjava naše najmanje zahtjeve po EN 301 489-1 / EN 301 489-17. I dostavit ćemo smjernice za uporabu kupcu u uputstvu za uporabu.

BATERIJE

Baterije koje duže vremena nisu korištene, prije upotrebe napuniti. Temperatura od preko 50°C smanjuje učinak baterija. Duže zagrijavanje od strane sunca ili grijanja izbjeći.

Priključne kontakte na uređaju za punjenje i baterijama držati čistima.

Za optimalni vijek trajanja se akumulatori poslije upotrebe moraju sasvim napuniti.

Za što moguće duži vijek trajanja, akumulatori se nakon punjenja moraju odstraniti iz punjača.

Kod skladištenja akumulatora duže od 30 dana:

Akumulator skladištiti na suhom kod ca. 27°C.

Akumulator skladištiti kod ca. 30%-50% stanja punjenja.

Akumulator ponovno napuniti svakih 6 mjeseci.

U prostor za punjenje baterija u uređaju za punjenje ne smiju dospijeti metalni dijelovi (opasnost od kratkog spoja).

ZAŠTITA OD PREOPTEREĆENJA AKUMULATORA

Kod preopterećenja akumulatora kroz visoku potrošnju struje, npr. ekstremno visoki okretni momenti, zaglavljenje svrdla, naglo zaustavljanje ili kratki spoj, elektroalat bruji 2 sekunde dugo i isključuje se samostalno.

TRANSPORT LITIJSKIH IONSKIH BATERIJA

Litijske-ionske baterije spadaju pod zakonske odredbe u svezi transporta opasne robe.

Prijevoz ovih baterija mora uslijediti uz poštivanje lokalnih, nacionalnih i internacionalnih propisa i odredaba.

Korisnici mogu bez ustručavanja ove baterije transportirati po cestama.

Komercijalni transport litijsko-ionskih baterija od strane transportnih poduzeća spada pod odredbe o transportu opasne robe. Otpremničke pripreme i transport smiju izvoditi isključivo odgovarajuće školovane osobe. Kompletni proces se mora pratiti na stručan način.

Kod transporta baterija se moraju poštivati sljedeće točke:

Uvjerite se da su kontakti zaštićeni i izolirani kako bi se izbjegli kratki spojevi. Pazite na to, da blok baterija unutar pakiranja ne može proklizavati. Oštećene ili iscurjele baterije se ne smiju transportirati. U svezi ostalih uputa obratite se vašem prijevoznom poduzeću.

CE-IZJAVA KONFORMNOSTI

Izjavljujemo pod vlastitom odgovornošću da proizvod opisan u odjeljku „Tehnički podaci“ ispunjava sve potrebne odredbe smjernica

2011/65/EU (RoHS)

2006/42/EC

2014/53/EU

i da su korišteni sljedeći usklađeni standardi

EN 62841-1:2015

EN 62841-2-9:2015

EN 55014-1:2017+A11:2020

EN 55014-2:2015

EN 301 489-1 V2.2.3

EN 301 489-17 V3.1.1

EN 300 328 V2.2.2

EN 62479:2010

EN IEC 63000:2018



Winnenden, 2020-11-09

Alexander Krug / Managing Director
Ovlašten za formiranje tehničke dokumentacije.

Techtronic Industries GmbH
Max-Eyth-Straße 10, 71364 Winnenden, Germany



SIMBOLI



PAŽNJA! UPOZORENIE! OPASNOST!



Prije svih radova na stroju izvaditi bateriju za zamjenu.



Držite ruke dalje od pokretnih dijelova.



Molimo da pažljivo pročitate uputu o upotrebi prije puštanja u rad.



Kod radova na stroju uvijek nositi zaštitne naočale.



Uvijek se koristite potpornim krakom.



Nosite uvijek kožne rukavice.



Uređaj sadrži gumbaste litijeve baterije.

V

Napon



Istosmjerna struja



Elektrouređaji, baterije/akumulatori se ne smiju zbrinjavati skupa sa kućnim smećem. Električni uređaji/akumulatori se moraju skupljati odvojeno i predati na zbrinjavanje primjereno okolišu jednom od pogona za iskorišćavanje. Raspitajte se kod mjesnih vlasti ili kod stručnog trgovca u svezi gospodarstva za recikliranje i mjesta skupljanja.



Europski znak suglasnosti



Britanski znak suglasnosti



Ukrajinski znak suglasnosti



Euroazijski znak suglasnosti



TEHNISKIE DATI Cauruļu vītņgriezis	M18 FPT2
Izlaides numurs	4773 51 01 000001-999999
Bluetooth frekvenču josla (frekvenču joslas)	2402 - 2480 MHz
Augstfrekvences	1,8 dBm
Bluetooth versija	4.0 BT signal mode
Akumulatora tehnoloģija	Li-Ion
Akumulātorā spriegums	18 V
Nominālais griešanās ātrums	
1. pārnesums	0 min ⁻¹ ... 29 min ⁻¹
2. pārnesums	0 min ⁻¹ ... 41 min ⁻¹
Jauda	
1. pārnesums	1 1/2" ... 2" 32 mm ... 50 mm
2. pārnesums	1/8" ... 1 1/4" 3 mm ... 30 mm
Vītņgrieža galviņas	Ridgid 12-R
Svars atbilstoši EPTA -Procedure 01/2014 (Li-Ion 2.0 Ah ... 12.0 Ah)	10,54 kg ... 11,60 kg
Darbībai ieteicamā apkārtnes temperatūra	-18 °C ... +50 °C
Ieteicamie akumulatoru komplekti	M18B... min. 6.0 Ah M18HB...
Ieteicamās uzlādes ierīces	M12-18..., M1418C6
Trokšņu informācija	
Vērtības, kas noteiktas saskaņā ar EN 62841. A novērtētās aparatūras skaņas līmenis ir:	
Trokšņa spiediena līmenis (Nedrošība K=3dB(A))	74,2 dB(A)
Trokšņa jaudas līmenis (Nedrošība K=3dB(A))	85,2 dB(A)
Nēsāt trokšņa slāpētāju!	
Vibrācijas informācija	
Svārstību kopējā vērtība (Trīs virzienu vektoru summtiek noteikta atbilstoši EN 62841.	
svārstību emisijas vērtība a _{hmax}	1,6 m/s ²
Nedrošība K=	1,5 m/s ²



UZMANĪBU!

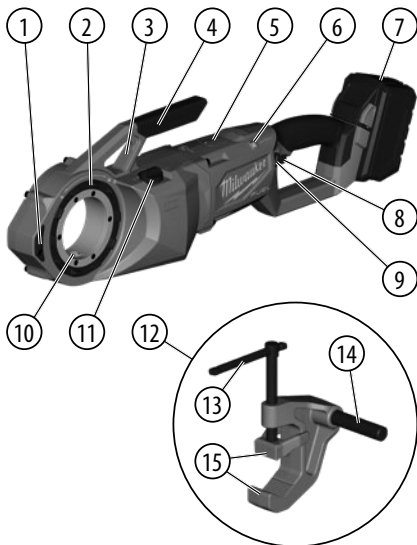
Vibrācijas un trokšņa emisijas līmenis šajā informācijas lapā ir izmērīts saskaņā ar EN 62841 standarta testa metodi un var tikt izmantots, lai salīdzinātu vienu ierīci ar otru. Tās var tikt izmantotas ietekmes sākotnējai izvērtēšanai.

Norādītais vibrācijas un trokšņa emisijas līmenis attēlo ierīces galvenos izmantošanas veidus. Tomēr, ja ierīce tiek izmantota citiem mērķiem, ar citu papildaprīkojumu vai nepareizi apkalpota, vibrācijas un trokšņa emisija var atšķirties. Tas var ievērojami paaugstināt ietekmes līmeni visā darba laikā.

Novērtējot vibrācijas un trokšņa ietekmes līmeni, vajadzētu ņemt vērā arī laiku, kad ierīce ir izslēgta vai ieslēgta, taču netiek lietota. Tas var ievērojami samazināt ietekmes līmeni visā darba laikā.

Lai aizsargātu operatoru no vibrācijas un/vai trokšņa, veiciet papildu drošības pasākumus, piemēram, veiciet apkopi ierīcei un papildaprīkojumam, uzturiet rokas siltas, organizējiet darba grafiku.

Nēsājiet ausu aizsargus. Trokšņa iedarbība var izraisīt dzirdes zudumu.



Ierīces apraksts

- ① Sānu rokturis
- ② Vītņgrieža galviņas bloķēšanas gredzens
- ③ Balsteņa stiprinājuma punkts
- ④ Pārņesēšanas rokturis
- ⑤ Iekšējā baterija
- ⑥ ONE KEY indikators
- ⑦ Akumulatora komplekts
- ⑧ Mēlīte

- ⑨ Vadības slēdzis
- ⑩ Griezes momenta transmisija
- ⑪ Ātruma pārslēgs
- ⑫ Atbalsta skava
- ⑬ Pievilkšanas svira
- ⑭ Atbalsta svira
- ⑮ Žokļi

⚠ UZMANĪBU

Izlasiet visus drošības norādījumus, instrukcijas, attēlus un datus, ko saņemat kopā ar ierīci. Turpmāk sniegto norādījumu neievērošana var kļūt par cēloni elektriskajam triecienam, ugunsgrēkam un/vai smagam savainojumam.

Pēc izlasīšanas uzglabājiet šos noteikumus turpmākai izmantošanai.

⚠ DROŠĪBAS INSTRUKCIJA CAURUĻU VĪTŅGRIEŽIEM

- a) Vienmēr izmantojiet instrumenta komplektācijā iekļauto atbalsta ierīci. Kontroles zuduma gadījumā ir iespējami ievainojumi.
- b) Personas, kas strādā ar darbarīku, piedurknēm un jakai jābūt aizpogātai. Nesniedzieties pāri instrumentam vai cauruļei. Apģērbs var aizķerties aiz caurules vai darbarīka un uzlīties uz tā.
- c) Tikai viens cilvēks reizē drīkst strādāt ar instrumentu. Ja darba procesā ir iesaistīti vēl citi cilvēki, tad ir iespējama neparedzēta instrumenta darbība un traumas.
- d) Grīdai jābūt sausai, uz tās nedrīkst atrasties slidēšanu veicinošas vielas, piemēram, eļļa. Slidena grīda var izraisīt nelaimes gadījumus.

Citas drošības un darba instrukcijas

- Kad veicat vītņošanu vai noņemat vītņgrieža galvīņu no caurules, vienmēr stingri turiet instrumentu neatkarīgi no tā, vai izmantojat atbalsta ierīci. Tas mazinās sasitumu, saspiešanas un citu traumu risku.
- Nelietojiet griežņus, kuriem ir nodiluma pazīmes un kuri ir neasi vai bojāti. Asiem griezējinstrumentiem ir nepieciešams mazāks griezes moments, un tādu instrumentu ir vieglāk vadīt.

• Izmantojiet tikai:

- Rems Quick change 1/8" ... 2" (ar adaptera gredzeniem)
- Rothenberger Vītņgrieža galviņas 1/4" ... 2" (ar adaptera gredzeniem)
- Ridgid 11-R 1/4" ... 2" (ar adaptera gredzeniem)
- Ridgid 12-R

• **Neglabājiet vītņgrieža galvīņu uz instrumenta, lai novērstu metāla nodilšanu saskarē ar metālu.**

• **Vienmēr rīkojieties apdomīgi un uzmanieties, kad izmantojat instrumentus.** Nav iespējams paredzēt jebkuru situāciju, kas var izraisīt bīstamu rezultātu. Neizmantojiet šo instrumentu, ja neizprotat tā lietošanas instrukcijas vai jūtat, ka darbs pārsniedz jūsu spējas; sazinieties ar Milwaukee Tool vai apmācītu speciālistu, lai saņemtu papildinformāciju vai apmācību.

• **Aizliegts noņemt etiķetes un tipa plāksnītes.** Tās satur svarīgu informāciju. Ja šīs norādes vairs nav salasāmas vai tās ir pazudušas, vērsieties savā MILWAUKEE klientu atbalsta dienestā, lai bez maksas saņemtu jaunus.

⚠ UZMANĪBU

Daži putekļi, ko rada slipēšana, zāģēšana, urbšana un citi būvdarbi, satur ķīmiskās vielas, kas izraisa vēzi, iedzimtus defektus vai kaitē reproduktīvajai veselībai. Daži šo ķīmisko vielu piemēri:

- svins no svina bāzes krāsas
- kristāla silīcijs no ķieģeļiem un cementa, kā arī citiem mūrniecības produktiem, un
- arsēns un hroms no ķīmiski apstrādātās koksnes.

Jūsu riski no šīs ekspozīcijas ir dažādi atkarībā no tā, cik bieži veicat šāda veida darbu. Lai samazinātu jūsu ekspozīciju pret šīm ķīmiskajām vielām: strādājiet labi vēdinātās vietās un ar atbilstošiem aizsarglīdzekļiem, kā putekļu maskas, kas ir īpaši paredzētas, lai aizfiltrētu mikroskopiskās daļiņas.

NOTEIKUMIEM ATBILSTOŠS IZMANTOJUMS

Šis instruments ir paredzēts cauruļu vītņu un skrūvju vītņu iegriešanai labās un kreisās puses vītņiem līdz 2" izmēram. Citāds lietojums, kas nav paredzēts, ir aizliegts.



**UZMANĪBU**

Izmantojiet tikai īpaši šim instrumentam ieteicamos piederumus. Citi var būt bīstami.

Vitngrieža galvīņu uzstādīšana/noņemšana

Vitngrieža galvīņu var ievietot no abām instrumenta pusēm.

Vitngrieža galvīņa/adapteris jāievieto instrumentā no pareizās puses.

1. Izņemiet akumulatoru.
2. Samontējiet vitngrieža galvīņas/adapterus, kā parādīts
3. Pirms vitņošanas vienmēr pārbaudiet, vai vitngrieža galvīņa ir nostiprināta instrumentā.
4. Lai to noņemtu, atbloķējiet vitngrieža galvīņas sprostgredzenu un izvelciet vitngrieža galvīņu no instrumenta.

GRIEŠANAS OPERĀCIJA**Pretestība vitņošanas spēkiem**

Vienmēr izmantojiet instrumenta komplektācijā iekļauto atbalsta ierīci. Atbalsta svira tiek piestiprināta pie caurules un palīdz lietotājam pretoties vitņošanas spēkiem.

UZMANĪBU! Kontroles zuduma gadījumā ir iespējami savainojumi.

Ātruma izvēle

Ātruma pārslēgs atrodas uz korpusa. Pirms ātruma pārslēgšanas ļaujiet instrumentam pilnībā apstāties.

Vadības slēdža izmantošana

Vadības slēdzi var iestatīt trijos stāvokļos: «pulksteņrādītāja kustības virzienā», «pretēji pulksteņrādītāja kustības virzienam» un «bloķēšana». Pirms vadības slēdža izmantošanas vienmēr ļaujiet motoram pilnībā apstāties.

Lai ieslēgtu griešanos pulksteņrādītāja kustības virzienā, nospiediet vadības slēdzi no instrumenta kreisās puses. **Pirms lietošanas pārbaudiet griešanās virzienu. Šāda griešanās veidos labās puses vītņi, kad grieznis būs ievietots no instrumenta kreisās puses (priekšpusēs).**

Lai panāktu griešanos pretēji pulksteņrādītāja kustības virzienam, nospiediet vadības slēdzi no instrumenta labās puses. **Pirms lietošanas pārbaudiet griešanās virzienu. Šāda griešanas veidos labās puses vītņi, kad grieznis būs ievietots no instrumenta labās puses (aizmugures).**

Pirms veicat apkopi, nomaināt piederumus, novietojat instrumentu glabāšanai un vienmēr, kad instruments netiek izmantots, fiksējiet sprūdu vai izņemiet akumulatoru.

Vitņošana

Pareizi sagatavojiet cauruli. Pārliecinieties, ka caurule ir nogriezta taisni un griezuma malas ir nolīdzinātas. Caurule, kas ir nogriezta leņķī, var sabojāt griezni vitņošanas laikā un arī traucēt vitngrieža galvīņas iegriešanos caurules virsmā. Caurulei jābūt stabili nostiprinātai, lai tā apstrādāšanas laikā neapgāztos. Izmantojiet caurules garumam atbilstošu cauruļu stativu.

UZMANĪBU! Nevalkājiet rotaslietas vai valģiņu apģērbu, kad strādājat ar darbarīku. Nevalkājiet cimdus, kuri var aizķerties, kad uzspiežat uz kustīgajām daļām vai to tuvumā; tas palielina iekļeršanās un ievainojumu risku. Kad grieznis iekļeras caurulē, notiek vītņu iegriešana, griezņim pārvietojoties līdz caurules galam.

UZMANĪBU! Vienmēr stingri turiet instrumentu, lai pretotos instrumenta darbības spēkiem. Atbalsta ierīces retos gadījumos var izslīdēt un pieļaut instrumenta pārvietošanos.

Izmantojiet eļļiņu, lai vajadzīgajā vietā uzklātu daudz vītņu griešanas eļļas. Tas ļaus izmantot mazāku vitngrieža griezes momentu, uzlabos vītnes kvalitāti un palielinās griezņa lietošanas laiku.

UZMANĪBU! Skaidas var būt asas. Satīriet noplūdušo eļļu, lai saglabātu drošu darba vidi.

Lai uzgrieztu kreisās puses vītņi, pārslēdziet slēdzi pulksteņrādītāju kustības virzienā/pretēji pulksteņrādītāju kustības virzienam.

Vītnes pārbaude/kalibrēšanas gredzena lietošana

1. Noslaukiet no vītnes eļļu, skaidiņas vai grūzus.
2. Pārbaudiet vītņi. Vītnei jābūt gludai, pilnīgai un ar pareizu formu. Ja ir redzami trūkumi, piemēram, vītnes pārrāvumi, sekla vītne vai caurules deformācijas, tad vītne nebūs hermētiska.
3. Lai pārbaudītu vītnes mēru ar kalibra gredzenu, uzskrūvējiet mērinstrumentu uz caurules un pievelciet ar roku. Caurules galam jābūt vienā līmenī ar mērierīces malu (plus minus viens apgrieztais). Ja vītne nav pareiza, nožāģējiet caurules daļu ar vītņi, noregulējiet vitngrieža galvīņu un uzgrieziet vēl vienu vītņi. **UZMANĪBU!** Ja izmanto nepareizu vītņi, var rasties noplūde.

APKOPE

Pirms mašīnai veikt jebkāda veida apkopes darbus, ir jāizņem arī akumulators.

Nekad neatveriet cauruļu vitngriezi, noņemamo akumulatoru vai lādētāju.

Pārbaudiet, vai cauruļu vitngriezim nav tādu problēmu kā, piemēram, troksnis vai kustīgo daļu iestrēgšana, kas varētu ietekmēt instrumenta darbību.

Pārbaudiet, vai griešanas instrumentam nav parādījušās plaisas vai kādas citas nolietotās pazīmes.

Notīriet putekļus un grūzus no atverēm. Uzturiet rokturi tīru, sausu un bez eļļas vai smērvielu piesārņojuma. Izmantojiet tīrīšanai tikai maigas ziepes un mitru drānu, jo daži tīrīšanas līdzekļi un šķīdinātāji kaitē plastmasai un citām izolētām daļām. Daži no tiem ir benzīns, terpentīns, lakas šķīdinātājs, krāsas šķīdinātājs, hlorēti tīrīšanas šķīdumi, amonjaks un saimniecības tīrīšanas līdzekļi, kas satur amonjaku. Nekad neizmantojiet degošus vai uzliesmojošus šķīdinātājus instrumentu tuvumā.

Pārbaudiet, vai griezņi ir asi, un vienmēr nomainiet nolietotos griezņus kā pilnu komplektu.

Ja asmeņos parādījušies robi vai cita veida bojājumi, nomainiet tos.

Vienmēr nomainiet griezņus kā pilnu komplektu.

Lai izvairītos no savainojumiem un bojājumiem, instrumentu, akumulatoru vai lādētāju nekad nemērciet ūdenī un neļaujiet tajos iekļūt mitrumam.



Vajag vienmēr uzmanīti, lai būtu tīras dzesēšanas atveres.

Papildu apkopes un remonta darbus atļauts veikt tikai pilnvarotām specializētām darbnīcām.

Izmantojiet tikai firmu Milwaukee piederumus un firmas Milwaukee rezerves daļas. Lieciet nomaiņai detaļas, kuru nomaiņa nav aprakstīta, kādā no firmu Milwaukee klientu apkalpošanas servisiem. (Skat. brošūru „Garantija/klientu apkalpošanas serviss“.) Ja nepieciešams, klientu apkalpošanas servisā vai tieši pie firmas Techtronic Industries GmbH, Max-Eyth-Straße 10, 71364 Winnenden, Germany, var pieprasīt instrumenta numurs, kas norādīts uz jaudas paneļa.

ONE-KEY™

Lai uzzinātu vairāk par šīs iekārtas ONE-KEY funkcijām, lūdzu, skatiet iekārtas piegādes komplektā iekļauto ātrās palāides rokasgrāmatu vai apmeklējiet tīmekļa vietni <http://www.milwaukeeetool.com/one-key>

ONE-KEY lietotni savā viedtālrunī varat lejupielādēt no App Store vai Google Play.

Pārbaudes rezultāts izpilda mūsu minimālās prasības atbilstoši standartam EN 301 489-1 / EN 301 489-17. Lietošanas instrukcijas klientam ir sniegtas lietotāja rokasgrāmatā.

AKUMULĀTORI

Akumulātori, kas ilgāku laiku nav izmantoti, pirms lietošanas jāuzlādē.

Pie temperatūras, kas pārsniedz 50°C, akumulatoru darbība tiek negatīvi ietekmēta. Vajag izvairīties no ilgākas saules un karstuma iedarbības.

Lādētāja un akumulatoru pievienojuma kontakti jāuztur tīri.

Lai baterijas darba ilgums būtu optimāls, pēc iekārtas izmantošanas tā jāuzlādē.

Lai akumulatori kalpotu pēc iespējas ilgāku laiku, tos pēc uzlādes ieteicams atvienot no lādētāj ierīces.

Akumulatora uzglabāšana ilgāk kā 30 dienas:

uzglabāt akumulatoru pie aptuveni 27° C un sausā vietā.

Uzglabāt akumulatoru uzlādes stāvoklī aptuveni pie 30%-50%.

Uzlādēt akumulatoru visus 6 mēnešus no jauna.

Jāuzmanās, lai akumulatoru lādētājā nenokļūtu nekādi metāla priekšmeti (iespējams īsslēgums).

AKUMULATORA AIZSARDZĪBA PRET PĀRSLOGOJUMU

Akumulatoru pārslogojuma gadījumos, esot ļoti lielam elektroenerģijas patēriņam, piem., ārkārtīgi augsts griezes moments, urbja iekēršanās, pēkšņa apstāšanās vai īssavienojums, elektriskais darbarīks 2 sekundes ruc, un pats izslēdzas.

LITĪJA JONU AKUMULATORU TRANSPORTĒŠANA

Uz litija jonu akumulatoriem attiecas noteikumi par bīstamo kravu pārvadāšanu.

Šo akumulatoru transportēšana jāveic saskaņā ar vietējiem, valsts un starptautiskajiem normatīvajiem aktiem un noteikumiem.

Patērētāja darbības, pārvadājot šos akumulatorus pa autoceļiem, nav reglamentētas.

Uz litija jonu akumulatoru komerciālu transportēšanu, ko veic ekspedīcijas uzņēmums, attiecas bīstamo kravu pārvadāšanas noteikumi. Sagatavošanas darbus un transportēšanu drīkst veikt tikai atbilstoši apmācīts personāls. Viss process jāveda profesionāli.

Veicot akumulatoru transportēšanu, jāievēro:

Pārlicinieties, ka kontakti ir aizsargāti un izolēti, lai izvairītos no īssavienojumiem. Pārlicinieties, ka akumulators iepakojumā nevar paslīdēt. Būjotus vai tekošus akumulatorus nedrīkst transportēt. Plašāku informāciju Jūs varat saņemt no ekspedīcijas uzņēmuma.

ATBILSTĪBA CE NORMĀM

Mēs ar pilnu atbildību paziņojam, ka izstrādājums, kas raksturots sadaļā „Tehniskie dati“, atbilst visām attiecīgajām prasībām direktīvās

2011/65/ES (RoHS)

2006/42/EK

2014/53/ES

un ir piemēroti šādi saskaņotie standarti

EN 62841-1:2015

EN 62841-2-9:2015

EN 55014-1:2017+A11:2020

EN 55014-2:2015

EN 301 489-1 V2.2.3

EN 301 489-1 V3.1.1

EN 300 328 V2.2.2

EN 62479:2010

EN IEC 63000:2018



Winnenden, 2020-11-09

Alexander Krug / Managing Director
Pilnvarotais tehniskās dokumentācijas sastādītājs.

Techtronic Industries GmbH
Max-Eyth-Straße 10, 71364 Winnenden, Germany



SIMBOLI



UZMANĪBU! BĪSTAMI!



Pirms mašīnai veikt jebkāda veida apkopes darbus, ir jāizņem arī akumulātors.



Sargiet rokas no instrumenta kustīgajām daļām.



Pirms sākt lietot instrumentu, lūdzu, izlasiet lietošanas pamācību.



Strādājot ar mašīnu, vienmēr jānēsā aizsargbrilles.



Vienmēr izmantojiet atbalsta sviru.



Vienmēr izmantojiet ādas cimdus.



Šai ierīcei ir pogas/monētas tipa litija baterija.

V

Voltāža



Līdzstrāva



Elektriskus aparātus, baterijas/akumulatorus nedrīkst utilizēt kopā ar mājtsaimniecības atkritumiem. Elektriski aparāti un akumulatori ir jāsavāc atsevišķi un jānodod atkritumu pārstrādes uzņēmumā videi saudzīgai utilizācijai. Jautājiet vietējā iestādē vai savam specializētajam tirgotājam, kur atrodas atkritumu pārstrādes uzņēmumi vai savākšanas punkti.



Eiropas atbilstības zīme



Lielbritānijas atbilstības zīme



Ukrainas atbilstības zīme



Eirāzijas atbilstības zīme



Lat

TECHNINIAI DUOMENYS Vamzdžių sriegpjovė	M18 FPT2
Produkto numeris	4773 51 01 000001-999999
„Bluetooth“ radijo dažnių juosta (radijo dažnių juostos)	2402 - 2480 MHz
Aukšto dažnio	1,8 dBm
„Bluetooth“ versija	4.0 BT signal mode
Akumuliatoriaus technologija	Li-Ion
Keičiamo akumuliatoriaus įtampa	18 V
Nominalus sukčių skaičius	
1. Pavara	0 min ⁻¹ ... 29 min ⁻¹
2. Pavara	0 min ⁻¹ ... 41 min ⁻¹
Našumas	
1. Pavara	1 1/2" ... 2" 32 mm ... 50 mm
2. Pavara	1/8" ... 1 1/4" 3 mm ... 30 mm
Sriegimo galvutės	Ridgid 12-R
Prietaiso svoris įvertintas pagal EPTA 01/2014 tyrimų metodiką (Li-Ion 2.0 Ah ... 12.0 Ah)	10,54 kg ... 11,60 kg
Rekomenduojama aplinkos temperatūra eksploatuojant	-18 °C ... +50 °C
Rekomenduojami akumuliatoriai	M18B... min. 6.0 Ah M18HB...
Rekomenduojami įkrovikliai	M12-18..., M1418C6
Informacija apie keliamą triukšmą	
Vertės matuotos pagal EN 62841. Įvertintas A įrenginio keliamo triukšmo lygis dažniausiai sudaro:	
Garso slėgio lygis (Paklaida K=3dB(A))	74,2 dB(A)
Garso galios lygis (Paklaida K=3dB(A))	85,2 dB(A)
Nešioti klausos apsaugines priemones!	
Informacija apie vibraciją	
Bendroji svyravimų reikšmė (trijų krypčių vektorių suma), nustatyta remiantis EN 62841.	
Vibravimų emisijos reikšmė a _{hmax}	1,6 m/s ²
Paklaida K=	1,5 m/s ²



DĖMESIO!

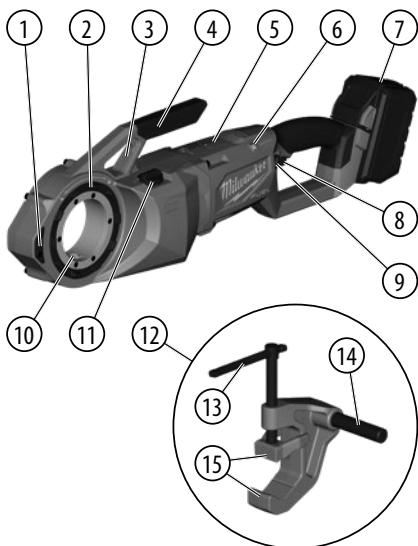
Šiame vadove nurodytos bendrosios vibracijos ir triukšmo emisijos vertės nustatytos pagal standartinius bandymo metodus pagal EN 62841, todėl gali būti taikomos lyginant vieną įrankį su kitu. Gali būti naudojama preliminariam poveikio įvertinimui.

Nurodytos bendrosios vibracijos ir triukšmo emisijos vertės atitinka įrankio taikymą. Jei įrankis naudojamas kitokiais tikslais, kartu su kitokiais priedais ar netinkamai prižiūrimas, bendrosios vibracijos ir triukšmo emisijos vertės gali skirtis. Tai gali žymiai padidinti poveikio lygį viso darbo metu.

Apskaičiuojant bendrosios vibracijos ir triukšmo emisijos vertes reikėtų atsižvelgti į laikotarpį, kai prietaisas yra išjungtas arba įjungtas, bet nėra naudojamas. Tai gali žymiai sumažinti poveikio lygį viso darbo metu.

Tam, kad naudotojas būtų apsaugotas nuo vibracijos ir (arba) triukšmo poveikio, reikia nustatyti papildomus saugos reikalavimus, pavyzdžiui: tinkamai prižiūrėti prietaisą ir jo priedus, laikyti rankas šiltais, organizuoti darbo modelius.

Nešioti klausos apsaugos priemones. Dėl didelio triukšmo poveikio gali būti pažeidžiama klausos.



Įrenginio aprašymas

- | | |
|--------------------------------------|-----------------------------|
| ① Šoninis griebtuvas | ⑨ Valdymo jungiklis |
| ② Sriegimo galvutės fiksavimo žiedas | ⑩ Sukimo momento perdavimas |
| ③ Atraminio sverto įtvairo taškas | ⑪ Greičio reguliatorius |
| ④ Nešimo rankena | ⑫ Atraminis spaustuvas |
| ⑤ Vidinė baterija | ⑬ Priveržimo svertas |
| ⑥ ONE KEY indikatorius | ⑭ Atraminis svertas |
| ⑦ Baterijos pakuotė | ⑮ Žiotys |
| ⑧ Gaidukas | |

⚠ DĖMESIO

Perskaitykite visas saugos nuorodas, instrukcijas, iliustracijas ir duomenis, kuriuos gaunate su prietaisu. Jei nepaisysite toliau pateiktų nuorodų, gali kilti elektros smūgio, gaisro ir /arba sunkių sužalojimų pavojus.

Išsaugokite šias saugos nuorodas ir reikalavimus, kad ir ateityje galėtumėte jais pasinaudoti.

⚠ VAMZDŽIŲ SRIEGIJOVĖS SAUGOS INSTRUKCIJOS

- Visada naudokite su įrankiu pateikiamą atraminį įtaisą. Praradus valdymą darbo metu gali būti sužaloti žmonės.
- Dirbdami įrankiu prižiūrėkite, kad rankovės ir švarkai būtų užsegti. Nesiekite skersai virš įrankio ar vamzdžio ar įrankis gali užkabinti drabužius ir juos įsukti.
- Tik vienas asmuo turi kontroliuoti darbo procesą ir įrankio veikimą. Procese dalyvaujant papildomiems asmenims, įrenginys gali suveikti netyčia ir gali būti sužaloti žmonės.
- Prižiūrėkite, kad grindys būtų sausas ir ant jų nebūtų slidžių medžiagų, pvz., alyvos. Esant slidžioms grindims gali įvykti nelaimingi atsitikimai.

Kiti saugumo ir darbo nurodymai

- Sriegdami ar nuimdami sriegimo galvutę nuo vamzdžio, tvirtai laikykite įrankį, kad atlaikytumėte veikiančias jėgas nepriklausomai nuo naudojamo atraminio įtaiso. Taip bus mažesnis smūgio, prispaudimo ir kt. sužalojimų pavojus.
- Nenaudokite antgaliu, ant kurių matomi nusidėvėjimo, dilimo ar apgadavimo ženklai. Esant aštriems pjovimo įrankiams yra reikalingas mažesnis sukimo momentas ir lengviau valdyti įrankį.

• Naudoti tik:

- Rems Quick change 1/8" ... 2" (su adapterių žiedais)
- Rothenberger Sriegimo galvutės 1/4" ... 2" (su adapterių žiedais)
- Ridgid 11-R 1/4" ... 2" (su adapterių žiedais)
- Ridgid 12-R

• Nelaikykite sriegimo galvučių pritvirtintų ant įrankio, kad metalas nesitrintų į metalą.

• Naudodami šį įrenginį, remkitės racionalumu ir elkitės atsargiai.

Neįmanoma numatyti visų galimų situacijų, kurios gali sukelti pavojingų pasekmių. Nenaudokite šio įrenginio, jei naudojimo instrukcijos nėra aiškios arba manote, kad darbas neatitinka jūsų pajėgumo; dėl papildomos informacijos ar mokymų susisiekite su „Milwaukee Tool“ arba šios srities profesionalu.

• Nepašalinkite etikečių ir duomenų plokštelių.

Šiose plokštelėse pateikiama svarbios informacijos. Jei jos tapo neįskaitomos ar jų nebera, kreipkitės į MILWAUKEE klientų aptarnavimo skyrių ir nemokamai gausite naujas.

⚠ DĖMESIO

Kai kurios dulksės sukeltos elektrinio šlifavimo, pjovimo, šlifavimo, gręžimo ir kitų statybos veiklų, turi chemikalų, galinčių sukelti vėžį, apsigimimus ar kitą reprodukcinę žalą. Kai kurie šių chemikalų pavyzdžiai yra:

- švinas iš švino pagrindu pagamintų dažų
- kristalinis silicis iš plytų ir cemento, ir kitų mūro gaminių; bei
- arsenas ir chromas iš chemiškai apdorotos medienos.

Rizika susijusi su šių chemikalų poveikiu priklauso nuo to, kaip dažnai susiduriama su tokio pobūdžio darbu. Kad sumažintumėte šių chemikalų keliamą poveikį, dirbkite gerai vėdinamoje patalpoje su saugos reikalavimus atitinkančia įranga, pavyzdžiui, dėvėkite respiratorių, kuris pritaikytas filtruoti mikroskopines dalelytes.

NAUDOJIMAS PAGAL PASKIRTĮ

Įrankis yra skirtas dešiniams ir kairiniams iki 2 col. dydžio vamzdžių ir varžtų sriegiams pjauti. Draudžiama naudoti kitais tikslais nei pagal numatytąją paskirtį.

SURINKIMAS

⚠ DĖMESIO

Naudokite tik šiam įrankiui specialiai rekomenduojamus priedus. Kiti priedai gali kelti pavojų.

Sriegimo galvučių tvirtinimas / atjungimas

Sriegimo galvutes galima įstatyti pro bet kurią įrankio pusę. Sriegimo galvutę / adapterį reikia įstatyti pro tinkamą įrankio pusę.

1. Atjunkite akumuliatoriaus bloką.
2. Pritvirtinkite sriegimo galvutes / adapterius kaip pavaizduota.

3. Prieš pradėdami pjauti visada patikrinkite, ar sriegimo galvutė užsifiksavusi įrankyje.
4. Norėdami atjungti, atrakininkite sriegimo galvutės fiksavimo žiedą ir attraukite sriegimo galvutę nuo įrankio.

NAUDOJIMAS

Paspriešinimas sriegimo įėjai

Visada naudokite su įrankiu pateikiamą atraminį įtaisą. Atraminis svertas prispaudžia vamzdį ir padeda pasipriešinti sriegimo įėjai.

DĖMESIO! Praradus valdymą darbo metu gali būti sužaloti žmonės.

Greičio pasirinkimas

Greičio reguliatorius yra korpuso viršuje. Palaukite, kol įrankis visiškai sustos ir tada perjunkite greitį.

Valdymo jungiklio naudojimas

Galima nustatyti tris valdymo jungiklio padėtis: pagal laikrodžio rodyklę, prieš laikrodžio rodyklę ir užrakinimo. Prieš naudodami valdymo jungiklį palaukite iki visiškai sustos variklis.

Norėdami sukti pagal laikrodžio rodyklę, paspauskite valdymo jungiklį iš kairės įrankio pusės. **Prieš naudodami patikrinkite sukimosi kryptį. Sukant tokiu būdu bus pjaunamas dešininis sriegis (kai antgalis įstatomas pro kairiąją įrankio pusę (priekį)).**

Norėdami sukti prieš laikrodžio rodyklę, paspauskite valdymo jungiklį iš dešinės įrankio pusės. **Prieš naudodami patikrinkite sukimosi kryptį. Sukant tokiu būdu bus pjaunamas dešininis sriegis (kai antgalis įstatomas pro dešiniąją įrankio pusę (galas)).**

Visada užfiksukite paleidiklį ar atjunkite akumulatoriaus bloką prieš atlikdami priežiūros darbus, keisdami priedus, padėdami įrankį saugojimui ir bet kada, kai įrankis yra nenaudojamas.

Sriegimas

Tinkamai parenkite vamzdį. Patikrinkite, ar vamzdis nupjautas stačiu kampu ir nėra nuoplaišų. Esant kampu nupjautam vamzdžiui gali būti sugadinti antgaliai ir pjaunant sriegį gali būti sudėtinga sukabinti sriegimo galvutę. Vamzdis turi būti stabilus ir pritvirtintas, kad naudojant nepakryptų. Naudokite tinkamus stovus vamzdžiui, kad jis būtų paremtas per visą ilgį.

DĖMESIO! Nedėvėkite papuošalų, laisvų drabužių ar nenaudokite šluosčių, kai dirbate įrankiu. Nemovėkite galinčių kliūti pirštinių stūmimo metu ar arti judančių dalių. Taip padidėja pavojus, kad jos bus įsuktos ir susižalosite. Kai antgalis susiliečia su vamzdžiu, sriegis pjaunamas antgaliumi slenkant ant vamzdžio galo.

DĖMESIO! Visada tvirtai laikykite įrankį, kad atlaikytumėte įrankį veikiančias jėgas. Retai, tačiau atraminiai įtaisai gali nuslysti ir įrankis sujudės.

Naudokite tepalinę ir gausiai sutepinkite sriegių pjovimo alyva apdirbamą sritį. Taip bus išgaunamas reikiamas sriegimo sukimo momentas, bus geresnės kokybės sriegis ir ilgiau trauks antgalis.

DĖMESIO! Įpjovos gali būti aštrios. Išvalykite ištiškusių alyvą, kad darbo aplinka būtų saugi.

Norėdami pjauti kairinį sriegį, perjunkite sukimą pagal / prieš laikrodžio rodyklę.

Sriegių tikrinimas / sriegių kalibro naudojimas

1. Nuvalykite alyvą, atplaišas ar nešvarumus nuo sriegio.
2. Patikrinkite sriegį. Sriegis turi būti tolygus, užbaigtas ir tinkamos formos. Jei yra netolygumų, pvz., sriegis įtrūkęs, plonas ar vamzdis nėra tolygiai apvalus, sriegis gali būti nesandarus.
3. Norėdami patikrinti sriegio dydį sriegio kalibru, užsriekite kalibrą ant vamzdžio ir priveržkite rankomis. Vamzdžio galas turi būti priglundęs prie kalibro šono (vienu pasukimu daugiau ar mažiau). Jei sriegio nepavyksta tinkamai išmatuoti, nupjaukite sriegį, sureguliuokite sriegimo galvutę ir išpjaukite kitą sriegį. **DĖMESIO!** Naudojant sriegį, kurio negalima tinkamai išmatuoti, jis gali būti nesandarus.

TECHNINIS APTARNAVIMAS

Prieš atlikdami bet kokius darbus įrenginyje, išimkite keičiamą akumulatorių.

Niekada neatidarinkite vamzdžių sriegėjų, atjungiamo akumulatoriaus ar įrakoviklio.

Patikrinkite, ar vamzdžių sriegėjų neskleidžia triukšmo ar nestringa judančios dalys, kurios gali turėti įtakos įrankio darbiui.

Patikrinkite kirpimo įrankius, ar yra įtrūkimų ir kitų dėvėjimosi požymių.

Nuvalykite dulkes ir atlauzas nuo atvirų angų. Laikykite rankeną švarią ir sausą, be alyvos ar tepalų. Valymui naudokite tik švelnų muilą ar drėgną skudurėlį, nes kai kurios valymo priemonės yra netinkamos plastikiniams ir kitoms izoliuotoms dalims. Kai kurios jų yra benzinas, terpentinas, lako skiediklis, dažų skiediklis, valikliai, kurių sudėtyje yra chloro, amoniakas ir buitiniai plovikliai, kurių sudėtyje yra amoniako. Niekada nenaudokite degių ar lengvai įsiliepsnojančių skysčių prie įrankių.

Patikrinkite, ar antgaliai yra aštrūs ir pakeiskite nusidėvėjusius kaip atskirą rinkinį.

Pakeiskite įlūžusias arba pažeistas geležtes.

Visada keiskite antgalius kaip atskirą rinkinį.

Niekada nemerkite įrankio, išimamo akumulatoriaus ar įrakoviklio į skystį ir neleiskite skysčiui į juos patekti, kad išvengtumėte sužalojimų ir žalos.

Įrenginio vėdinimo angos visada turi būti švarios.

Kitus priežiūros ir remonto darbus turi atlikti tik įgaliotų specializuotų dirbtuvių personalas.

Naudokite tik „Milwaukee“ priedus ir „Milwaukee“ atsargines dalis. Dalis, kurių keitimas neaprašytas, leidžiama keisti tik „Milwaukee“ klientų aptarnavimo skyriams (žr. garantiją/klientų aptarnavimo skyrių adresu brošiūroje).

Jei reikia, nurodant įrenginio tipą bei specifikacijų lentelėje esantį numerį, iš klientų aptarnavimo skyriaus arba tiesiai iš Techntron Industries GmbH, Max-Eyth-Strasse 10, 71364 Winnenden, Germany, galima užsisakyti prietaiso surinkimo brėžinius.



ONE-KEY™

Norėdami daugiau sužinoti apie šio įrenginio funkciją ONE-KEY, žr. su šiuo gaminiu priededamą Trumpąjį žinyną arba eikite į svetainę <http://www.milwaukeeetool.com/one-key>

Jūs galite iš „App Store“ arba „Google Play“ į savo išmanųjį telefoną atsisiųsti ONE-KEY programėlę.

Bandydami rezultatai atitinka mūsų minimalius reikalavimus pagal EN 301 489-1 / EN 301 489-17. Naudojimo patarimų klientui bus pateikiama naudotojo vadove.

AKUMULATORIAI

Ilgesnį laiką nenaudotus keičiamus akumulatorius prieš naudojimą įkraukite.

Aukštesnė nei 50°C temperatūra mažina keičiamų akumuliatorių galią. Venkite ilgesnio saulės ar šilumos šaltinių poveikio.

Įkroviklio ir keičiamo akumuliatoriaus jungiamieji kontaktai visada turi būti švarūs.

Kad prietaisas nuo ilgiau veiktų, pasinaudoję juo, iki galo įkraukite akumulatorius.

Siekiant užtikrinti kuo ilgesnį baterijos tarnavimo laiką, reikėtų ją po atlikto įkrovimo iškart išimti iš įkroviklio.

Bateriją laikant ilgiau nei 30 dienų, būtina atkreipti dėmesį į šias nuorodas:

bateriją laikyti sausoje aplinkoje, esant apie 27 °C temperatūrai.

Baterijos įkrovimo lygis turi būti nuo 30% iki 50%.

Baterija pakartotinai turi būti įkraunama kas 6 mėnesius.

Į įkroviklių keičiamiems akumulatoriams įstatymui skirtą vamzdį turi nepatekti jokios metalinės dalys (trumpojo jungimo pavojus).

APSAUGA NUO AKUMULATORIAUS PERKROVOS

Perkrovus akumuliatorių dėl itin didelės vartojamos srovės, pvz.: labai didelių apskukų, staigaus stabdymo, trumpo sujungimo ar užsikirtus grąžtui, elektrinis įrankis veikia dar 2 sekundes ir išsijungia automatiškai.

LIČIO JONŲ AKUMULATORIŲ PERVEŽIMAS

Ličio jonų akumulatoriams taikomos įstatyminės nuostatos dėl pavojingų krovinių pervežimų.

Šiuos akumulatorius pervežti būtina laikantis vietinių, nacionalinių ir tarptautinių direktyvų ir nuostatų.

Naudotojai šiuos akumulatorius gali naudoti savo transporte be jokių kitų sąlygų.

Už komercinį ličio jonų akumuliatorių pervežimą atsako ekspedicijos įmonė pagal nuostatas dėl pavojingų krovinių pervežimo. Pasiruošimo išsiųsti ir pervežimo darbus gali atlikti tik atitinkamai išmokyti asmenys. Visas procesas privalo būti prižiūrimas.

Pervežant akumulatorius būtina laikytis šių punktų:

Siekiant išvengti trumpųjų jungimų, įsitikinkite, kad kontaktai yra apsaugoti ir izoliuoti. Atkreipkite dėmesį, kad akumulatorius pakuotės viduje neslidinėtų. Draudžiama pervežti pažeistus arba tekančius akumulatorius. Dėl detalesnių nurodymų kreipkitės į savo ekspedicijos įmonę.

CE ATITIKTIYS PAREIŠKIMAS

Prisiimdami visą atsakomybę pareiškiame, kad gaminys, aprašytas „Techniniuose duomenyse“, atitinka taikomus reikalavimus, išdėstytus direktyvose

2011/65/ES (RoHS)

2006/42/EB

2014/53/ES

ir buvo taikyti šie darnieji standartai

EN 62841-1:2015

EN 62841-2-9:2015

EN 55014-1:2017+A11:2020

EN 55014-2:2015

EN 301 489-1 V2.2.3

EN 301 489-1 V3.1.1

EN 300 328 V2.2.2

EN 62479:2010

EN IEC 63000:2018



Winnenden, 2020-11-09

Alexander Krug / Managing Director
Įgaliosis parengti techninius dokumentus.

Techtronic Industries GmbH

Max-Eyth-Straße 10, 71364 Winnenden, Germany



SIMBOLIAI



DĖMESIO! ĮSPĖJIMAS! PAVOJUS!



Prieš atlikdami bet kokius darbus įrenginyje, išimkite keičiamą akumuliatorių.



Laikykite rankas atokiau nuo judančių dalių.



Prieš pradėdami dirbti su prietaisu, atidžiai perskaitykite jo naudojimo instrukciją.



Dirbdami su įrenginiu visada nešiokite apsauginius akinius.



Visada naudokite atraminę svertą.



Visada mėvėkite odines pirštines.



Įrenginyje yra mygtuko / tabletės tipo ličio maitinimo elementas.

V

Įtampa



Nuolatinė srovė



Elektros prietaisų, baterijų/akumuliatorių šalinti kartu su buitėmis atliekomis negalima. Elektros prietaisus ir akumulatorius reikia surinkti atskirai ir atiduoti perdirbimo įmonei, kad būtų pašalinti aplinkai saugiu būdu. Vietos valdžios institucijose arba specializuotose prekybos vietose pasidomėkite apie perdirbimo ir surinkimo centrus.

CE

Europos atitikties ženklas

**UK
CA**

Britanijos atitikties ženklas



Ukrainos atitikties ženklas

EAC

Eurazijos atitikties ženklas



TEHNILISED ANDMED Keermefõikur	M18 FPT2
Tootmisnumber	4773 51 01 000001-999999
Bluetoothi sagedusriba (sagedusribad)	2402 - 2480 MHz
Kõrgepingejõudlus	1,8 dBm
Bluetoothiga versioon	4.0 BT signal mode
Aku tüüp	Li-Ion
Vahetatava aku pinge	18 V
Nimipöörded	
1. käik	0 min ⁻¹ ... 29 min ⁻¹
2. käik	0 min ⁻¹ ... 41 min ⁻¹
Keeme mõõt	
1. käik	1 1/2" ... 2" 32 mm ... 50 mm
2. käik	1/8" ... 1 1/4" 3 mm ... 30 mm
Lõikepead	Ridgid 12-R
Kaal vastavalt EPTA-protseduurile 01/2014 (Li-Ion 2.0 Ah ... 12.0 Ah)	10,54 kg ... 11,60 kg
Soovituslik keskkonna temperatuur töötamiseks	-18 °C ... +50 °C
Soovituslikud akupakid	M18B... min. 6.0 Ah M18HB...
Soovituslik laadija	M12-18..., M1418C6
Müra andmed	
Mõõteväärtused on kindlaks tehtud vastavalt normile EN 62841. Seadme tüüpiline hinnanguline (müratase:	
Helirõhutase (Määramatus K=3dB(A))	74,2 dB(A)
Helivõimsuse tase (Määramatus K=3dB(A))	85,2 dB(A)
Kandke kaitseks kõrvaklappe!	
Vibratsiooni andmed	
Vibratsiooni koguväärtus (kolme suuna vektorsummöödetud EN 62841 järgi.	
Vibratsiooni emissiooni väärtus a _{hmax}	1,6 m/s ²
Määramatus K=	1,5 m/s ²



TÄHELEPANU!

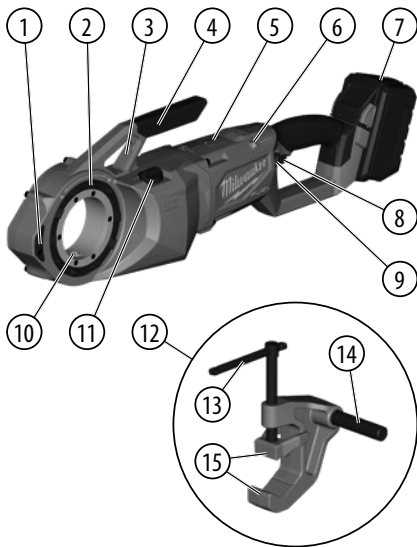
Sellel teabelehel toodud vibratsiooni- ja müraemissioon on mõõdetud standardis EN 62841 kirjeldatud standarditud testiga ning seda võib kasutada tööriistade omavaheliseks võrdlemiseks. Testi võib kasutada kokkupuute esialgseks hindamiseks.

Deklareeritud vibratsiooni- ja müratase puudutab tööriista põhikasutust. Kui tööriista kasutatakse muuks otstarbeks, teistsuguste tarvikutega või tööriista hooldatakse halvasti, võivad vibratsioon ja müraemissioon erineda. See võib kokkupuudetaset kogu tööajal oluliselt suurendada.

Vibratsiooni ja müraga kokkupuute hinnangulise taseme juures tuleb arvesse võtta ka aega, kui tööriist on välja lülitatud või töötab, kuid sellega ei tehta tööd. See võib kokkupuudetaset kogu tööaja kohta oluliselt vähendada.

Tehke kindlaks täiendavad ohutusmeetmed operatori kaitsmiseks vibratsiooni ja/või müra eest, näiteks: hooldage tööriista ja tarvikuid, hoidke käed soojas, vaadake üle töökorraldus.

Kandke kaitseks kõrvaklappe. Müra toime võib põhjustada kuulmiskadu.



Seadme kirjeldus

- | | |
|---------------------------|--------------------------|
| ① Külmine käepide | ⑨ Juhtlüüti |
| ② Lõikepea lukustusrõngas | ⑩ Pöördemomendi ülekanne |
| ③ Tugivarda toetuspunkt | ⑪ Kiiruse valits |
| ④ Kandekäepide | ⑫ Kruustangid |
| ⑤ Integreeritud patarei | ⑬ Kinnitushoob |
| ⑥ ÜHE VÕTME näidik | ⑭ Tugivarras |
| ⑦ Akupakk | ⑮ Pösed |
| ⑧ Päästik | |

⚠ TÄHELEPANU

Lugege kõik seadmega kaasas olevad ohutusjuhised, juhendid, joonised ja andmed läbi. Järgnevalt toodud juhiste eiramise tagajärjeks võib olla elektrilöök, tulekahju ja/või rasked vigastused.

Hoidke kõik ohutusnõuded ja juhised edasiseks kasutamiseks hoolikalt alles.

⚠ KEERMELÕIKURITE OHUSTASTEVA

- Kasutage alati tööriistaga kaasas olevat tugiseadet. Kasutamise käigus kontrolli kaotamine võib tekitada kehavigastusi.
- Jälgige, et käiste ja rõivaste nõobid oleks tööriista kasutamise ajal kinnitatud. Ärge sirutage käsi üle tööriista ega toru. Rõivad võivad toru või tööriista vahele kinni jääda.
- Tööriistaga võib korraga töötada ainult üks isik. Kui töös osaleb veel inimesi, võib tagajärjeks olla nõuetele mittevastav kasutamine ja kehavigastus.
- Hoidke pörandad kuivad ja libedatest materjalidest (nt õli) puhtad. Libedad pörandad suurendavad õnnetusohu.

Edasised ohutus- ja tööjuhised

- Keermestamisel või lõikepea torult eemaldamisel hoidke tööriista kontrollimiseks sellest tugevalt kinni, isegi kui kasutate tugiseadet. See vähendab löögi-, muljumis- ja muude vigastuste ohtu.

- Ärge kasutage kulumisjälgedega, nürisid ega kahjustatud lõikepäid. Teravad lõikeriistad vajavad väiksemat jõumomenti ja neid on lihtsam kontrollida.

• Kasutage ainult järgmist.

- Rems Quick change 1/8" ... 2" (adapterrõngastega)
- Rothenberger Lõikepead 1/4" ... 2" (adapterrõngastega)
- Ridgid 11-R 1/4" ... 2" (adapterrõngastega)
- Ridgid 12-R

• Ärge hoidke lõikepäid tööriista sees, et vältida metallpindade kulumist.

- Kasutage tööriistade käsitlemisel alati ratsionaalset mõtlemist ja olge ettevaatlik.** Kõiki ohtlikke olukordi ei ole võimalik ette näha. Ärge kasutage seda tööriista, kui te ei saa kasutusjuhendist aru või kui tunnete, et töö ületab teie võimeid; lisateabe saamiseks või koolituse osalemiseks pöörduge Milwaukee Tooli poole.

- Ärge eemaldage etikette ja tüübisilte.** Neil siltidel seisab oluline teave. Kui sildid pole enam loetavad või need puuduvad, siis võtke tasuta asendussiltide saamiseks ühendust MILWAUKEE klienditeenindusega.

⚠ TÄHELEPANU

Elektrilise poleerimise, saagimise, lihvimise, puurimise ja muude ehitustööde käigus tekkev tolm võib sisaldada kemikaale, mis põhjustavad vähki, sünnidefekte või muud reproduktiivkahju. Sellised kemikaalid on näiteks järgmised:

- pliipõhises värvis sisalduv plii;
- tellistes, tsemendis ja muudes müüritoodetes sisalduv kristalliline ränioksiid;
- keemiliselt töödeldud puidus sisalduv arseen ja kroom.

Nende kemikaalidega kokkupuutumisega kaasnev risk sõltub sellest, kui tihti seda laadi tööd teete. Nende kemikaalidega kokkupuutumise riski vähendamiseks töötage hea ventilatsiooniga kohas ning kasutage heakskiidetud isikukaitsevahendeid, näiteks mikroskoopilisi osakesi filtreerivad tolmumaskid.

KASUTAMINE VASTAVALT OTSTARBELE

See tööriist on ette nähtud kuni 2" parem- ja vasakpoolsete toru- ja poldikeermete lõikamiseks. Muud kasutusotstarbed on keelatud.

KOKKUPANEK

⚠ TÄHELEPANU

Kasutage ainult sellele tootele soovitatud tarvikuid. Muud tarvikud võivad olla ohtlikud.

Lõikepeade paigaldamine/eemaldamine

Lõikepea saab paigaldada tööriista mõlemalt küljelt.

Lõikepea/adapter tuleb paigaldada tööriista õigelt küljelt.

- Eemaldage aku.
- Paigaldage lõikepead/adapterid näidatud viisil
- Veenduge alati enne lõikamise alustamist, et lõikepea oleks tööriistas korralikult lukustatud.
- Eemaldamiseks avage lõikepea lukustusrõngas ja tõmmake lõikepea tööriistast välja.

KASUTAMINE

Keermestamisel tekkivate jõudude kontrollimine

Kasutage alati tööriistaga kaasas olevat tugiseadet. Tugivarras kinnitub toru külge ja aitab keermestamisel tekkivaid jõude kontrollida.

TÄHELEPANU! Kasutamise käigus kontrolli kaotamine võib tekitada kehavigastusi.

Kiiruse valimine

Kiiruse valits asub korpuse peal. Enne kiiruse muutmist laske tööriistal täielikult seiskuda.

Juhtlüli kasutamine

Juhtlüli saab seada kolme asendisse: päripäeva, vastupäeva ja lukustatud. Enne juhtlüli asendi muutmist laske tööriistal täielikult seiskuda.

Päripäeva pöörlemissuuna valimiseks vajutage juhtlülit tööriista vasakult küljelt. **Kontrollige pöörlemissuunda enne kasutamist. See pöörlemissuund tekitab parempoolseid keermeid, kui löikepea sisestatakse tööriista vasakult küljelt (esiküljelt).**

Vastupäeva pöörlemissuuna valimiseks vajutage juhtlülit tööriista paremalt küljelt. **Kontrollige pöörlemissuunda enne kasutamist. See pöörlemissuund tekitab parempoolseid keermeid, kui löikepea sisestatakse tööriista paremalt küljelt (tagaküljelt).**

Lukustage päästik või eemaldage aku alati enne tööriista hooldamist või hoiustamist, tarvikute vahetamist ja kui tööriista ei kasutata.

Keermestamine

Valmistage toru nõuetekohaselt ette. Veenduge, et toru oleks sirgelt lõigatud ja kraadid eemaldatud. Nurga all lõigatud toru võib keermestamise ajal löikepäid kahjustada ja raskendada löikepea haakumist toru külge. Toru peab olema stabiilne ja fikseeritud, et see keermestamise ajal kaldu ei vajuks. Kasutage kogu toru pikkuse toetamiseks sobivaid tugisid.

TÄHELEPANU! Ärge kandke tööriista kasutamise ajal ehteid ja lahtiseid rõivaid ega kasutage kaltsu. Ärge kandke liikuvat osadel või nende lähedal käsi kasutades kindaid, mis võivad osade vahele jääda. See suurendab kinnijäämis- ja vigastusohu. Kui löikepead haakuvad toruga, liiguvad need mööda toruotsa edasi ja löikavad sellele keermed.

TÄHELEPANU! Töö käigus tekkivate jõudude kontrollimiseks hoidke alati tööriistast tugevalt kinni. Tugiseadmed võivad harva del juhtudel libiseda ja põhjustada tööriista nihkumist.

Kasutage keermestamise ajal õlikannu, et selle abil lõigatavaid keermeid keermestusõliga õhtralt õlitada. See vähendab keermestamiseks vajalikku jõumomenti, parandab keermete kvaliteeti ja pikendab löikepea kasutusiga.

TÄHELEPANU! Lõikepuru võib olla terav. Eemaldage kõik õlijäägid, et tagada ohutu töökeskkond.

Vasakpoolsete keermete jaoks muutke päripäeva/vastupäeva pöörlemissuund vastupidiseks.

Keermete kontrollimine / seadeava kasutamine

1. Puhastage keermed õlist ja purust.

2. Kontrollige keermeid. Need peavad olema siledad, katkematud ja hea kvaliteediga. Kui esineb defekte, nagu keerme katkestused, liiga peened keermed või toru mitteümarus, siis ei pruugi keermed kinnitust tagada.
3. Seadeava abil keermete mõõdu kontrollimiseks keerake seadeava käitsi toru külge. Toruots peab olema seadeava küljega kohakuti (pluss-minus üks pööre). Kui keermed ei kinnitu korralikult, lõigake need maha, reguleerige löikepead ja lõigake uuesti. **TÄHELEPANU!** Halvasti kinnituvate keermete kasutamine võib põhjustada lekkeid.

HOOLDUS

Enne kõiki töid masina kallal võtke vahetatav aku välja.

Ärge kunagi avage keermeelõikurit, eemaldatavat akut ega laadijat.

Kontrollige keermeelõikurit selle tööd mõjutavate probleemide suhtes, nagu määratse või liukivate osade kinnikiilumine.

Kontrollige, ega lõiketööriistadel pole mörasid või muid kulumismärke.

Eemaldage avadest tolm ja mustus. Hoidke käepide puhtana, kuivana ning õli- ja määrdevabana. Kasutage puhastamiseks õrna seepi ja niisket lappi, sest teatud ained ja lahustid võivad plasti ja muid isoleeritud osi kahjustada. Sellised ained on näiteks bensiin, tärpentin, lahjendid, kloori sisaldavad puhastuslahused, ammoniaak ja ammoniaaki sisaldavad majapidamispuhastusvahendid. Ärge kasutage tööriistade läheduses tuleohtlikke ega süttivaid lahusteid.

Kontrollige, et löikepead oleks teravad, ja asendage kulunud löikepead alati terve komplektina.

Kui stantsid muutuvad sakiliseks või kahjustuvad, tuleb need välja vahetada.

Asendage löikepead alati terve komplektina.

Vigastuste ja kahjustuste vältimiseks ärge asetage tööriista, eemaldatavat akut ega laadijat vette ega laske vedelikel neisse tungida.

Hoidke masina õhutuspiilud alati puhtad.

Lisaks tuleb lasta hooldus- ja remonditöid alati teha volitatud spetsialistil.

Kasutage ainult Milwaukee tarvikuid ja Milwaukee tagavaraosi. Detailid, mille väljavahetamist pole kirjeldatud, laske välja vahetada Milwaukee klienditeeninduspunkti (vaadake brošüüri garantii / klienditeeninduste aadressid).

Vajaduse korral võite tellida seadme läbilõikejoonise, näidates ära masina tüübi ja andmesildil oleva numbr. Selleks pöörduge klienditeeninduspunkti või otse: Technicon Industries GmbH, Max-Eyth-Straße 10, 71364 Winnenden, Germany.

ONE-KEY™

Lisateabe saamiseks selle seadme ONE-KEY funktsiooni kohta lugege tootega kaasas olevat lühijuhendit või külastage veebileht <http://www.milwaukeetool.com/one-key>

ONE-KEY rakenduse saate App Store või Google Play kaudu oma nutitelefonile alla laadida.

Katsetulemus täidab meie miinimumnõudeid EN 301 489-1 / EN 301 489-17 järgi. Klient saab kasutusjuhiseid lugeda kasutusjuhendist.

AKUD

Pikemat aega mittekasutatud akusid laadige veel enne kasutamist.

Temperatuur üle 50 °C vähendab vahetatava aku töövõimet. Vältige pikemat soojenemist päikese või kütteseadme mõjul.

Hoidke laadija ja vahetatava aku ühenduskontaktid puhtad.

Optimaalse patarei eluea tagamiseks, pärast kasutamist lae patareiplokk täielikult.

Akud tuleks võimalikult pika kasutusea saavutamiseks pärast täislaadimist laadijast välja võtta.

Aku ladustamisel üle 30 päeva:

Ladustage akut kuivas kohas u 27°C juures.

Ladustage akut u 30-50% laetusseisundis.

Laadige aku iga 6 kuu tagant täis.

Laadijal olevasse vahetatava aku ühenduskambrisse ei tohi sattuda metalloosi (lühiseohit).

AKU KOORMUSKAITSE

Aku ülekoormamisega kõrge voolutarbimisega, nt puuri blokeerumisel, äkilisel seiskumisel või lühise tekkimisel, vibreerib elektritööriist 2 sekundit ning seejärel lülitub automaatselt välja.

LIITIUMIOONAKUDE TRANSPORTIMINE

Liitiumioonakud on allutatud ohtlike ainete transportimisega seonduvatele õigusaktidele.

Nende akude transportimine peab toimuma kohalikest, siseriiklikest ja rahvusvahelistest eeskirjadest ning määrustest kinni pidades.

Tarbijad tohivad neid akusid edasiste piiranguteta tänaval transportida.

Liitiumioonakude kommertstransport ekspedeerimisetevõtete kaudu on allutatud ohtlike ainete transportimisega seonduvatele õigusaktidele. Tarne-ettevalmistusi ja transporti tohivad teostada eranditult vastavalt koolitatud isikud. Kogu protsessi tuleb asjatundlikult jälgida.

Akude transportimisel tuleb järgida järgmisi punkte:

Tehke kindlaks, et kontaktid on lühiste vältimiseks kaitsstud ja isoleeritud. Pöörake tähelepanu sellele, et akupakk ei saaks pakendis nihkuda. Kahjustatud või välja voolanud akusid ei tohi kasutada. Pöörduge edasiste juhiste saamiseks ekspedeerimisetevõtete poole.

EÜ VASTAVUSAVALDUS

Kinnitame oma ainuvastutusel, et „Tehniliste andmete“ all kirjeldatud toode vastab direktiivide kõigile asjakohastele sätetele

2011/65/EU (RoHS)

2006/42/EÜ

2014/53/EÜ

ning tädetud on järgmiste ühtlustatud standardite nõuded

EN 62841-1:2015

EN 62841-2-9:2015

EN 55014-1:2017+A11:2020

EN 55014-2:2015

EN 301 489-1 V2.2.3

EN 301 489-17 V3.1.1

EN 300 328 V2.2.2

EN 62479:2010

EN IEC 63000:2018



Winnenden, 2020-11-09

Alexander Krug / Managing Director

On volitatud koostama tehnilist dokumentatsiooni.

Techtronic Industries GmbH

Max-Eyth-Straße 10, 71364 Winnenden, Germany



SÜMBOLID



ETTEVAATUST! TÄHELEPANU! OHUD!



Enne kõiki töid masina kallal võtke vahetatav aku välja.



Hoidke käed liikuvatest osadest eemal.



Palun lugege enne käikulaskmist kasutamisujuhend hoolikalt läbi.



Masinaga töötades kandke alati kaitseprille.



Kasutage alati tugivarrast.



Kandke alati nahkkindaid.



See seade sisaldab nõopatareid (liitiumpatarei).



Voltaaž



Alalisvool



Elektriseadmeid, patareid/akusid ei tohi utiliseerida koos majapidamisprügiga. Elektriseadmed ja akud tuleb eraldi kokku koguda ning kõrvaldada keskkonnasõbralikul moel töötlemiskeskusesse. Küsige infot jäätmekäitlusjaamade ja kogumispunktide kohta oma kohalike ametnike või edasimüüja käest.



Euroopa vastavusmärk



Ühendkuningriigi vastavusmärk



Ukraina vastavusmärk



Euraasia vastavusmärk



Est

ТЕХНИЧЕСКИЕ ДАННЫЕ Труборезной инструмент	M18 FPT2
Серийный номер изделия	4773 51 01 000001-999999
Диапазон частот Bluetooth (диапазоны частот)	2402 - 2480 MHz
Мощность высокой частоты	1,8 dBm
Версия Bluetooth	4.0 BT signal mode
Аккумуляторная технология	Li-Ion
Вольтаж аккумулятора	18 V
Номинальное число оборотов	
1-я передача	0 min ⁻¹ ... 29 min ⁻¹
2-я передача	0 min ⁻¹ ... 41 min ⁻¹
Производительность	
1-я передача	1 1/2" ... 2" 32 mm ... 50 mm
2-я передача	1/8" ... 1 1/4" 3 mm ... 30 mm
Нарезные патроны	Ridgid 12-R
Вес согласно процедуре EPTA 01/2014 (Li-Ion 2.0 Ah ... 12.0 Ah)	10,54 kg ... 11,60 kg
Температура окружающей среды, рекомендованная для эксплуатации	-18 °C ... +50 °C
Рекомендованные аккумуляторные блоки	M18B... min. 6.0 Ah M18HB...
Рекомендованные зарядные устройства	M12-18..., M1418C6
Информация по шумам	
Значения замерялись в соответствии со стандартом EN 62841. Уровень шума прибора, определенный по показателю A, обычно составляет:	
Уровень звукового давления (Небезопасность K=3dB(A))	74,2 dB(A)
Уровень звуковой мощности (Небезопасность K=3dB(A))	85,2 dB(A)
Пользуйтесь приспособлениями для защиты слуха.	
Информация по вибрации	
Общие значения вибрации (векторная сумма трех направлений) определены в соответствии с EN 62841.	
Значение вибрационной эмиссии a _{max}	1,6 m/s ²
Небезопасность K=	1,5 m/s ²



РУС

ВНИМАНИЕ!

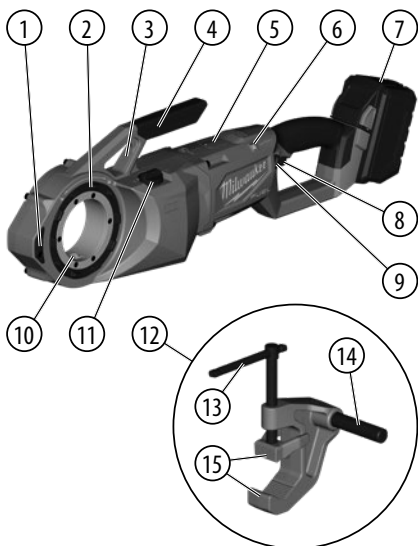
Заявленные значения вибрации и шумового излучения, указанные в настоящем информационном листе, были измерены согласно стандартизированному методу испытания согласно EN 62841 и могут использоваться для сравнения одного инструмента с другим. Они могут применяться для предварительной оценки воздействия на организм человека.

Указанные значения вибрации и шумового излучения действительны для основных областей применения инструмента. Однако если инструмент используется в других областях применения или с другими принадлежностями либо проходит ненадлежащее обслуживание, значения вибрации и шумового излучения могут отличаться. Это может существенно увеличить уровень воздействия на организм на протяжении общего периода работы.

При оценке уровня воздействия вибрации и шумового излучения на организм также необходимо учитывать периоды, когда инструмент выключен, или когда он работает, но фактически не используется для выполнения работы. Это может существенно сократить уровень воздействия на организм на протяжении общего периода работы.

Определите дополнительные меры для защиты оператора от воздействия вибрации и/или шума, такие как обслуживание инструмента и его принадлежностей, сохранение рук в тепле, организация графиков работы.

Используйте наушники! Воздействие шума может привести к потере слуха.



Описание устройства

- | | |
|--------------------------------------|-------------------------------|
| 1 Боковое зацепление | 9 Выключатель управления |
| 2 Стопорное кольцо нарезного патрона | 10 Передача крутящего момента |
| 3 Точка крепления опорного рычага | 11 Переключатель скоростей |
| 4 Рукоятка для переноски | 12 Вспомогательный зажим |
| 5 Внутренний одноразовый аккумулятор | 13 Рычаг для затягивания |
| 6 Индикатор ONE KEY | 14 Опорный рычаг |
| 7 Аккумуляторная батарея | 15 Губки |
| 8 Пусковой курок | |

⚠ ВНИМАНИЕ

Ознакомьтесь с правилами техники безопасности, техническими регламентами, изображениями и данными, прилагаемыми к устройству. При несоблюдении нижеследующих указаний возможно поражение электротоком, возникновение пожара и/или получение серьезных травм.

Сохраняйте эти инструкции и указания для будущего использования.

⚠ ИНСТРУКЦИИ ПО ТЕХНИКЕ БЕЗОПАСНОСТИ ПРИ ЭКСПЛУАТАЦИИ ТРУБОНАРЕЗНЫХ ИНСТРУМЕНТОВ

- Всегда используйте опорную конструкцию, предоставленную вместе с инструментом. Потеря управления во время работы может привести к травме.
- При работе с инструментом рукава и верхняя одежда должны быть застегнуты. Не протягивайте руки по направлению к инструменту или трубе. Труба или инструмент могут зацепиться за одежду, что приведет к затягиванию движущимися деталями.

- Управлять процессом и работой инструмента должен только один человек. Привлечение других людей может привести к нарушению внимательности и травмам.
- Полы должны быть сухими и без скользких материалов, например масла. Скользкий пол может стать причиной несчастных случаев.

Дополнительные указания по безопасности и работе

- При нарезании резьбы или при снятии нарезного патрона с трубы прочно удерживайте инструмент, чтобы компенсировать возникающие силы (независимо от использования опорной конструкции). Это снизит риск ударов, защемлений и других травм.
- Не используйте патроны с признаками износа, затупления или повреждения. Для острых нарезных инструментов необходим меньший крутящий момент, и ими легче управлять.
- Используйте только:**
 - Rems Quick change 1/8" ... 2" (с переходными кольцами)
 - Rothenberger Нарезные патроны 1/4" ... 2" (с переходными кольцами)
 - Ridgid 11-R 1/4" ... 2" (с переходными кольцами)
 - Ridgid 12-R
- Не храните нарезные патроны в инструменте, чтобы предотвратить износ в результате трения металла о металл.**
- Всегда соблюдайте общепринятые правила разумного поведения и будьте осторожны при работе с инструментами.** Невозможно предвидеть все ситуации, которые могут привести к опасным последствиям. Не используйте инструмент, если вам непонятны эти инструкции по эксплуатации или если вы считаете, что работа выходит за рамки ваших способностей; свяжитесь с Milwaukee Tool или с квалифицированным специалистом для получения дополнительной информации или проведения инструктажа.
- Не удаляйте этикетки и фирменные щитки.** Они содержат важную информацию. Если текст на указательных табличках становится нечитаемым или отсутствует, обратитесь в службу поддержки MILWAUKEE для бесплатной замены табличек.

⚠ ВНИМАНИЕ

Пыль, которая возникает при шлифовании, пилении, сверлении и других строительных работах, может содержать химические вещества, вызывающие онкологические заболевания, пороки развития или нарушения репродуктивной системы. Некоторые примеры таких химических веществ указаны ниже.

- Свинец из красок, содержащих свинец
- Кристаллический диоксид кремния из кирпичей, цемента и других материалов для кладки стен
- Мышьяк и хром из химически обработанных пиломатериалов

Риск поражения этими химикатами зависит от частоты выполнения подобных работ. Для уменьшения риска поражения этими химикатами работайте в хорошо вентилируемых помещениях и используйте одобренное защитное оборудование, например респираторы, которые специально предназначены для фильтрации микроскопических частиц.

ИСПОЛЬЗОВАНИЕ

Этот инструмент предназначен для нарезания право- и левосторонней резьбы размером до 2 дюймов на трубах и болтах. Использование в других, не соответствующих назначению целях запрещено.

СБОРКА



ВНИМАНИЕ

Используйте вспомогательные принадлежности, специально рекомендованные для этого инструмента. Другие принадлежности могут представлять опасность.

Установка/снятие нарезных патронов

Патрон можно вставлять с любой стороны инструмента.

Патрон/адаптер необходимо вставлять в инструмента с правильной стороны.

1. Извлеките аккумулятор.
2. Соберите патроны/адаптеры, как показано на рисунке
3. Перед началом нарезания обязательно проверьте крепление патрона в инструменте.
4. Для извлечение разблокируйте стопорное кольцо головки патрона и извлеките ее из инструмента.

ЭКСПЛУАТАЦИЯ

Сопротивление силам, возникающим при нарезании

Всегда используйте опорную конструкцию, предоставленную вместе с инструментом. Опорный рычаг прижимается к трубе и помогает противостоять силам, возникающим при нарезании резьбы.

ВНИМАНИЕ! Потеря управления во время работы может привести к травме.

Выбор скорости

Переключатель скоростей находится в верхней части корпуса. Перед изменением скорости дождитесь полной остановки инструмента.

Использование переключателя управления

Переключатель управления можно установить в трех положениях: по часовой стрелке, против часовой стрелки и блокировка. Перед использованием переключателя управления обязательно дождитесь полной остановки инструмента.

Для вращения по часовой стрелке задействуйте переключатель управления с левой стороны инструмента.

Перед использованием проверьте направление вращения. Это вращение приведет к нарезанию правосторонней резьбы, когда патрон вставляется с левой (передней) стороны инструмента.

Для вращения против часовой стрелки нажмите переключатель управления с правой стороны инструмента.

Перед использованием проверьте направление вращения. Это вращение приведет к нарезанию правосторонней резьбы, когда патрон вставляется с правой (задней) стороны инструмента.

Перед техническим обслуживанием, заменой принадлежностей, помещением инструмента на хранение, а также всегда, когда инструмент не используется, блокируйте кнопку запуска или извлеките аккумулятор.

Нарезание резьбы

Надлежащим образом подготовьте трубу. Убедитесь в том, что труба обрезана под прямым углом и не имеет заусенцев.

Обрезание трубы под косым углом может привести к повреждению патронов при нарезании резьбы и может мешать их зацеплению. Во время использования труба должна находиться в устойчивом положении, защищенном от опрокидывания. Используйте подходящие опоры для поддержки длинных труб.

ВНИМАНИЕ! Не надевайте украшения или свободную одежду и не используйте тряпки во время работы инструмента.

Не надевайте перчатки, которые могут зацепиться за движущиеся части при прикосновении к ним или рядом с ними; это увеличивает риск затягивания движущимися деталями и получения травм. Когда патроны войдут в контакт с трубой, начнется нарезание резьбы, поскольку они автоматически притянутся к концу трубы.

ВНИМАНИЕ! Всегда держите инструмент крепко, чтобы противодействовать возникающим силам. В редких случаях опорные конструкции могут соскользнуть, вызвав перемещение инструмента.

С помощью лубрикатора нанесите обильное количество смазки для нарезания резьбы на соответствующую область. Это снижает необходимый крутящий момент для нарезания резьбы, улучшит качество резьбы и увеличит срок службы патрона.

ВНИМАНИЕ! Срезы могут быть острыми. Убирайте пролитое масло, чтобы поддерживать безопасность на рабочем месте. Для левосторонней резьбы измените выбранное направление вращения (по часовой стрелке/против часовой стрелки).

Проверка резьбы/использование кольцевого калибра

1. Очистите резьбу от масла, стружки или мусора.
2. Осмотрите резьбу. Она должна быть гладкой, полной и иметь хорошее состояние. Если вы видите дефекты, такие как разрыв резьбы, тонкая резьба или деформация круглого профиля трубы, резьба может не обеспечить уплотнение.
3. Для проверки размера резьбы с помощью кольцевого калибра навинтите его на трубу и затяните вручную. Конец трубы должен быть заподлицо с боковой стороной калибра (плюс-минус один оборот). Если резьба не калибруется должным образом, срежьте ее, отрегулируйте головку патрона и нарежьте резьбу заново. **ВНИМАНИЕ!** Использование резьбы с неправильной калибровкой может вызвать утечку.



ОБСЛУЖИВАНИЕ

Выньте аккумулятор из машины перед проведением с ней каких-либо манипуляций.

Ни в коем случае не вскрывайте труборезной инструмент, съемный аккумулятор или зарядное устройство.

Проверяйте труборезной инструмент на наличие каких-либо проблем, таких как шумы или заклинивание движущихся деталей, которое может повлиять на работу инструмента.

Проверьте режущие инструменты на наличие трещин или других признаков износа.

Очищайте отверстия от пыли и грязи. Ручка должна быть чистой и сухой, без масла или смазки. Для очищения используйте только мягкий мыльный раствор и мягкую ткань, поскольку некоторые чистящие средства и растворители могут повредить пластиковые и другие изолированные детали. Среди прочего, к ним относятся бензин, скипидар, растворитель для лака, растворитель для краски, хлорсодержащие чистящие средства, аммиак и бытовые чистящие средства, содержащие аммиак. Ни в коем случае не используйте воспламеняющиеся или взрывоопасные растворители вблизи инструментов.

Проверяйте остроту патронов и всегда заменяйте изношенные патроны целиком комплектом.

Заменяйте штампы, если они имеют зазубрины или повреждения.

Всегда заменяйте патроны целиком комплектом.

Во избежание ранения и порчи имущества ни в коем случае не опускайте инструмент, съемный аккумулятор и зарядное устройство в жидкость и не допускайте проникновения жидкости внутрь этих устройств.

Всегда держите охлаждающие отверстия чистыми.

Дальнейшие сервисные и ремонтные работы должны выполняться только в авторизованных специализированных ремонтных мастерских.

Пользуйтесь аксессуарами и запасными частями Milwaukee. В случае возникновения необходимости в замене, которая не была описана, обращайтесь в один из сервисных центров по обслуживанию электроинструментов Milwaukee (см. список сервисных организаций).

При необходимости может быть заказан чертеж инструмента с трехмерным изображением деталей. Пожалуйста, укажите номер и тип инструмента и закажите чертеж у Ваших местных агентов или непосредственно у Techtron Industries GmbH, Max-Eyth-Straße 10, 71364 Winnenden, Germany.

ONE-KEY™

Чтобы узнать больше о технических возможностях ONE-KEY данного устройства, обратитесь к краткому руководству пользователя, поставляемому с изделием, или перейдите по ссылке <http://www.milwaukeetool.com/one-key>

Вы можете загрузить приложение ONE-KEY на свой смартфон через App Store или Google Play.

Результат испытания соответствует нашим минимальным требованиям согласно EN 301 489-1 / EN 301 489-17. Мы предоставим заказчику инструкции по эксплуатации в руководстве пользователя.

АККУМУЛЯТОР

Перед использованием аккумулятора, которым не пользовались некоторое время, его необходимо зарядить.

Температура свыше 50°C снижает работоспособность аккумуляторов. Избегайте продолжительного нагрева или прямого солнечного света (риск перегрева).

Контакты зарядного устройства и аккумуляторов должны содержаться в чистоте.

Для обеспечения оптимального срока службы аккумулятора необходимо полностью заряжать после использования прибора.

Для достижения максимально возможного срока службы аккумулятора после зарядки следует вынимать из зарядного устройства.

При хранении аккумулятора более 30 дней:

Храните аккумулятор при 27°C в сухом месте.

Храните аккумулятор с зарядом примерно 30% - 50%.

Каждые 6 месяцев аккумулятора следует заряжать.

Не допускается попадания каких-либо металлических предметов в аккумуляторный отсек зарядного устройства во избежание короткого замыкания.

ЗАЩИТА АККУМУЛЯТОРА ОТ ПЕРЕГРУЗКИ

При перегрузке аккумулятора из-за очень высокого расхода электроэнергии, напр., предельно высоких крутящих моментов, заклинивания сверла, внезапной остановки или короткого замыкания, электроинструмент гудит 2 секунды и автоматически отключается.

ТРАНСПОРТИРОВКА ЛИТИЙ-ИОННЫХ АККУМУЛЯТОРОВ

Литий-ионные аккумуляторы в соответствии с предписаниями закона транспортируются как опасные грузы.

Транспортировка этих аккумуляторов должна осуществляться с соблюдением местных, национальных и международных предписаний и положений.

Эти аккумуляторы могут перевозиться по улице потребителем без дальнейших обязательств.

При коммерческой транспортировке литий-ионных аккумуляторов экспедиторскими компаниями действуют положения, касающиеся транспортировки опасных грузов. Подготовка к отправке и транспортировка должны производиться исключительно специально обученными лицами. Весь процесс должен находиться под контролем специалиста.

При транспортировке аккумуляторов необходимо соблюдать следующие пункты:

Убедитесь, что контакты защищены и изолированы во избежание короткого замыкания. Следите за тем, чтобы аккумуляторный блок не соскользнул внутри упаковки.

Транспортировка поврежденных или протекающих аккумуляторов запрещена. За дополнительными указаниями обратитесь к своему экспедитору.



ДЕКЛАРАЦИЯ О СООТВЕТСТВИИ СТАНДАРТАМ ЕС

Мы несем исключительную ответственность за то, что изделие, описанное в разделе «Техническая информация» соответствует всем применимым положениям директив

2011/65/EU (RoHS)

2006/42/EC

2014/53/EU

а также следующим согласованным стандартам

EN 62841-1:2015

EN 62841-2-9:2015

EN 55014-1:2017+A11:2020

EN 55014-2:2015

EN 301 489-1 V2.2.3

EN 301 489-17 V3.1.1

EN 300 328 V2.2.2

EN 62479:2010

EN IEC 63000:2018



Winnenden, 2020-11-09

Alexander Krug / Managing Director

Уполномочен на составление технической документации.

Techtronic Industries GmbH

Max-Eyth-Straße 10, 71364 Winnenden, Germany

СИМВОЛЫ



ВНИМАНИЕ! ПРЕДУПРЕЖДЕНИЕ! ОПАСНОСТЬ!



Выньте аккумулятор из машины перед проведением с ней каких-либо манипуляций.



Держите руки на безопасном расстоянии от движущихся деталей.



Пожалуйста, внимательно прочтите инструкцию по использованию перед началом любых операций с инструментом.



При работе с инструментом всегда надевайте защитные очки.



Всегда используйте опорный рычаг.



Всегда носите кожаные перчатки.



Устройство использует кнопочный/плоский круглый литиевый аккумулятор.

V

Напряжение



Постоянный ток



Электроприборы, батареи/аккумуляторы запрещено утилизировать вместе с бытовым мусором. Электрические приборы и аккумуляторы следует собирать отдельно и сдавать в специализированную компанию для утилизации в соответствии с нормами охраны окружающей среды. Получите в местных органах власти или у вашего специализированного дилера сведения о центрах вторичной переработки и пунктах сбора.



Европейский знак соответствия



Украинский знак соответствия



Евроазиатский знак соответствия



ТЕХНИЧЕСКИ ДАННИ Резбонарезна машина	M18 FPT2
Производствен номер	4773 51 01 000001-999999
Честотен обхват (честотни обхвати) на Bluetooth	2402 - 2480 MHz
високочестотна мощност	1,8 dBm
Версия на Bluetooth	4.0 BT signal mode
Акумулаторна технология	Li-Ion
Напрежение на акумулатора	18 V
Номинална скорост на въртене	
1-ва предавка	0 min ⁻¹ ... 29 min ⁻¹
2-ра предавка	0 min ⁻¹ ... 41 min ⁻¹
Капацитет	
1-ва предавка	1 1/2" ... 2" 32 mm ... 50 mm
2-ра предавка	1/8" ... 1 1/4" 3 mm ... 30 mm
Резбонарезни глави	Ridgid 12-R
Тегло съгласно процедурата ЕРТА 01/2014 (Li-Ion 2.0 Ah ... 12.0 Ah)	10,54 kg ... 11,60 kg
Препоръчителна температура на околната среда при експлоатация	-18 °C ... +50 °C
Препоръчителни акумулаторни батерии	M18B... min. 6.0 Ah M18HB...
Препоръчителни зарядни устройства	M12-18..., M1418C6
Информация за шума	
Измерените стойности са получени съобразно EN 62841. Оцененото с А ниво на шума на уреда е съответно:	
Равнище на звуковото налягане (Несигурност K=3dB(A))	74,2 dB(A)
Равнище на мощността на звука (Несигурност K=3dB(A))	85,2 dB(A)
Да се носи предпазно средство за слуха!	
Информация за вибрациите	
Общите стойности на вибрациите (векторна сума на три посоки) са определени в съответствие с EN 62841.	
Стойност на емисии на вибрациите a _{hmax}	1,6 m/s ²
Несигурност K=	1,5 m/s ²

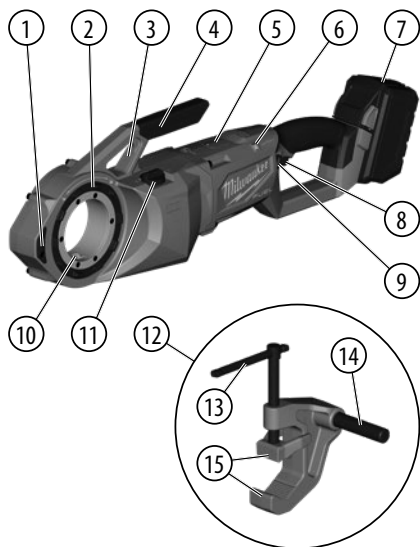
ВНИМАНИЕ!

Посочените в настоящия информационен лист нива на вибрации и шумови емисии са измерени в съответствие със стандартизирано изпитване, предоставено в EN 62841, и могат да се използват за сравняване на един инструмент с друг. Те може също така да се използват и за предварителна оценка на излагането на вредни въздействия.

Декларираните нива на вибрации и шумови емисии се отнасят за основните приложения на инструмента. Ако обаче инструментът се използва за други приложения, с други приспособления или не се поддържа добре, нивата на вибрации и шумови емисии могат да са различни. Това може значително да повиши нивото на излагане на вредни въздействия за общата продължителност на работата.

При оценка на нивото на излагане на въздействието на вибрации и шум следва също така да се вземе предвид времето, през което инструментът е изключен или през което е включен, но не се използва. Това може значително да понижи нивото на излагане на вредни въздействия за общата продължителност на работата.

Определете допълнителни мерки за безопасност за защита на оператора от въздействието на вибрациите и/или шума, като например поддръжка на инструмента и приспособленията, поддържането на топлината на ръцете и организацията на работата. Носете средство за защита на слуха. Шумът може да доведе до загуба на слуха.



Описание на устройството

- | | | | |
|---|--|----|----------------------------|
| 1 | Странична ръкохватка | 9 | Контролен ключ |
| 2 | Задържащ пръстен на резбонарезната глава | 10 | Предаване на въртящ момент |
| 3 | Точка за захващане на опорното рамо | 11 | Ключ за избор на скорост |
| 4 | Ръкохватка за носене | 12 | Опорна скоба |
| 5 | Вътрешна батерия | 13 | Затягащо рамо |
| 6 | Индикатор ONE KEY | 14 | Опорно рамо |
| 7 | Батерия | 15 | Челюсти |
| 8 | Спусък | | |

⚠ ВНИМАНИЕ

Прочетете всички указания за безопасност, инструкции, изображенията и техническите данни, които получавате с уреда. Ако не спазвате следните указания, това може да доведе до токов удар, пожар и/или тежки наранявания. **Запазете всички указания и инструкции за безопасност за бъдещето.**

⚠ ИНСТРУКЦИИ ЗА БЕЗОПАСНОСТ ПРИ РАБОТА С РЕЗБОНАРЕЗНА МАШИНА

- Винаги използвайте опорното устройство, предоставено заедно с инструмента. Загубата на контрол по време на работа може да доведе до наранявания.
- Когато работите с инструмента, дръжте ръкавите и якето си закопчани. Не се пресягайте над инструмента или тръбата. Дрехите могат да се закачат на тръбата или инструмента и да се заплетат.
- Работният процес и работата с инструмента трябва да се управляват само от един човек. Ако в работата се включат и други хора, това може да доведе до нежелани действия и наранявания.
- Дръжте пода чист, особено от хлъзгави материали като масло. Хлъзгавият под е предпоставка за нещастни случаи.

Допълнителни указания за работа и безопасност

- Когато правите резба или изваждате резбонарезната глава от тръбата, дръжте инструмента здраво, за да противодействате на силите, независимо че използвате опорно устройство. Това ще намали риска от удар, смачкване и други наранявания.
- Не използвайте резбонарезни глави, които показват признаци на износване, затъпяване или са повредени. Острите режещи инструменти изискват по-слабо усилие на усукване и са по-лесни за държане.
- Използвайте само:**
 - Rems Quick change 1/8" ... 2" (с адаптерни пръстени)
 - Rothberger Резбонарезни глави 1/4" ... 2" (с адаптерни пръстени)
 - Ridgid 11-R 1/4" ... 2" (с адаптерни пръстени)
 - Ridgid 12-R
- Не съхранявайте резбонарезните глави в инструмента, за да избегнете износване, причинено от търкането на метал в метал.**
- Винаги проявявайте здрав разум и бъдете внимателни, когато използвате инструменти.** Невъзможно е да се предвиди всяка ситуация, която може да доведе до опасни последствия. Не използвайте този инструмент, ако не разбирате настоящите указания за експлоатация или Ви се струва, че задачата е отвъд Вашите способности; свържете се с „Инструменти Milwaukee“ или обучен професионалист за допълнителна информация и обучение.
- Не сваляйте етикетите и типове табелки.** Тези табелки съдържат важна информация. Ако указателните табелки вече не са четливи или липсват, свържете се с клиентския сервиз на MILWAUKEE, за да получите безплатни резервни табелки.

⚠ ВНИМАНИЕ

Някои видове прах, отделящи се при използването на електрически инструменти за шкурене, рязане, шлифване и други строителни дейности, съдържат химикали, за които е известно, че причиняват рак, вродени дефекти и други възпроизводствени проблеми. Примерите за такива химикали включват:

- олово от бои на оловна основа,
- кварцов прах от тухли, цимент и други зидарски продукти, както и
- арсеник и хром от обработен с химикали дървен материал.

Рискът за Вас от излагане на въздействието на тези химикали варира в зависимост от честотата на вършене на такъв тип работа. За да намалите излагането си на въздействието на тези химикали, работете на добре проветрени места, използвайте одобрени средства за защита, като например маски за прах, които са специално проектирани да филтрират микроскопични частици.

ИЗПОЛЗВАНЕ ПО ПРЕДНАЗНАЧЕНИЕ

Този инструмент е предназначен за направа на резба на тръби и болтове с лява и дясна резба и с размер до 2 цола. Забранено е използването му за други цели.





ВНИМАНИЕ

Използвайте само аксесоари, които се препоръчват специално за този инструмент. Различните аксесоари могат да бъдат опасни.

Монтаж и сваляне на резбонарезните глави

Резбонарезната глава може да бъде поставена и от двете страни на инструмента.

Резбонарезната глава/адаптерът трябва да бъдат поставени от правилната страна на инструмента.

1. Извадете батерията.
2. Сглобете резбонарезната глава с адаптера, както е показано.
3. Винаги проверявайте дали резбонарезната глава е застопорена в инструмента, преди да започнете да правите резба.
4. За да я свалите, отключете задържащия пръстен на резбонарезната глава и я издърпайте от инструмента.



БЪЛ

ОПЕРАЦИЯ

Противодействие на резбонарезните сили

Винаги използвайте опорното устройство, предоставено заедно с инструмента. Опорното рамо се захваща за тръбата и помага за противодействие на резбонарезните сили.

ВНИМАНИЕ! Загубата на контрол по време на работа може да доведе до наранявания.

Избор на скорост

Ключът за избор на скорост се намира върху горната част на корпуса. Изчакайте инструмента да спре напълно, преди да смените скоростта.

Използване на ключа за управление

Ключът за управление може да бъде поставян в три позиции: по посока на часовниковата стрелка, обратно на часовниковата стрелка и заключване. Винаги изчаквайте мотора да спре напълно, преди да използвате ключа за управление.

За въртене по посока на часовниковата стрелка натиснете ключа за управление откъм лявата страна на инструмента.

Преди да го използвате, проверете посоката на въртене. Въртенето ще направи дясна резба, когато резбонарезната глава е била поставена от лявата (предната) страна на инструмента.

За въртене по посока обратна на часовниковата стрелка натиснете ключа за управление откъм дясната страна на инструмента. **Преди да го използвате, проверете посоката на въртене. Въртенето ще направи дясна резба, когато резбонарезната глава е била поставена от дясната (задната) страна на инструмента.**

Винаги заключвайте спусъка или изваждайте батерията, преди да обслужвате инструмента, да подмените аксесоари, да го прибирате за съхранение, както и винаги, когато не го използвате.

Направа на резба

Подгответе внимателно тръбата. Уверете се, че тръбата е отрязана право и е загладена. Отрязаната под ъгъл тръба може да повреди резбонарезната глава по време на нарязване и това да затрудни зацепването на главата. Тръбата трябва да е стабилна и укрепена, за да не се накланя по време на работа. Използвайте подходяща стойка за тръба, която поддържа цялата дължина на тръбата.

ВНИМАНИЕ! Докато работите с инструмента, не носете бижута и широки дрехи и не ползвайте парцал. Не носете ръкавици, които могат да се закачат, докато ръцете Ви са върху или близо до движещите се части — това увеличава риска от заплитане и нараняване. Щом резбонарезната глава зацепи върху тръбата, докато главата се придвижва към края на тръбата, ще се правят нарези.

ВНИМАНИЕ! Винаги дръжте инструмента здраво, за да противодействате на силите на въртене. В редки случаи опорното устройство може да се изплъзне и да позволи на инструмента да се движи.

Използвайте масленка, за да нанесете обилно количество резбонарезно масло върху областта. Това ще доведе до понижаване на необходимата резбонарезна сила на усукване, ще подобри качеството на резбата и ще удължи живота на резбонарезната глава.

ВНИМАНИЕ! Стружките могат да бъдат остри. Почистете разлятото или покапало масло, за да поддържате работното си място безопасно.

За лява резба, променете избраната посока (по посока/обратно на часовниковата стрелка).

Проверка на резбата/използване на калибър-втулка

1. Забършете маслото, стружките и отломките от резбата.
2. Проверете резбата. Нарезите трябва да бъдат гладки, пълни и в добра форма. Ако се забелязват неравности от рода на разкъсване на резбата, тънка резба или тръбата не е напълно кръгла, е възможно резбата да не се уплътнява добре.
3. За да проверите размера на резбата с калибър-втулка, навийте втулката върху тръбата и затегнете на ръка. Краят на тръбата трябва да е изравнен със страната на втулката (плюс или минус един оборот). Ако резбата не е правилна, отрежете я, регулирайте резбонарезната глава и направете нова резба. **ВНИМАНИЕ!** Използването на тръба с неправилна резба може да причини течове.

ПОДДРЪЖКА

Преди започване на каквито е да работи по машината извадете акумулатора.

Никога не отваряйте резбонарезната машина, сменяемата батерия или зарядното устройство.

Проверявайте резбонарезната машина за проблеми, като например шум или засичане на движещите се части, които могат да повлияят на работата на инструмента.

Проверявайте резците за пукнатини и други признаци на износване.

Почиствайте отворите от прах и отломки. Дръжте ръкохватката чиста, суха и незацапана с масло или смазка. За почистване използвайте единствено мек сапун и парцал, тъй като някои почистващи вещества и разтворители увреждат пластмасата и други изолирани части. Някои от тези вещества са бензин, терпентин, разредител за лак, разредител за боя, разтвори за почистване на хлорна основа, амоняк и съдържащи амоняк домакински препарати. Никога не използвайте възпламеними или запалителни разтворители в близост до инструментите. Проверявайте дали резбонарезната глава е остра и винаги подменяйте износените глави едновременно.

Подменяйте щанцата, когато се нащърби или повреди.

Винаги подменяйте резбонарезните глави едновременно.

За да избегнете нараняване и повреда, никога не потапяйте инструмента, сменяемата батерия или зарядното в течност и не позволявайте проникването на течност в тях.

Вентилационните шлицы на машината да се поддържат винаги чисти.

По-нататъшни дейности по обслужването и ремонтването на уреда могат да се извършват единствено в упълномощени специализирани работилници.

Да се използват само аксесоари на Milwaukee и резервни части на Milwaukee. Елементи, чията подмяна не е описана, да се дадат за подмяна в сервиз на Milwaukee (вижте брошурата „Гаранция и адреси на сервизи“).

При необходимост можете да поискате за уреда от Вашия сервиз или директно от Techtronic Industries GmbH, Max-Eyth-Straße 10, 71364 Winnenden, Germany, чертеж за в случай на експлозия, като посочите типа на машината и номер върху заводската табелка.

ONE-KEY™

За да научите повече за функционалността ONE KEY на този уред, прочетете приложеното кратко ръководство или ни посетете в интернет на <http://www.milwaukeeetool.com/one-key> Можете да изтеглите ONE KEY приложението на Вашия смартфон от App Store или Google Play.

Резултатът от изпитванията отговаря на нашите минимални изисквания съгласно EN 301 489-1 / EN 301 489-17. На клиента ще бъдат предоставени указания за експлоатация в ръководството за употреба.

АКУМУЛАТОРИ

Акумулатори, които не са ползвани по-дълго време, преди употреба да се дозаредят.

Температура над 50°C намалява мощността на акумулатора. Да се избягва по-продължително нагряване на слънце или от отопление.

Поддържайте чисти присъединителните контакти на зарядното устройство и на акумулатора.

За оптимална продължителност на живот след употреба батериите трябва да се заредят напълно.

За възможно по-дълга продължителност на живот батериите трябва да се изваждат от уреда след зареждане.

При съхранение на батериите за повече от 30 дни:

съхранявайте батерията при прилб. 27°C и на сухо място.

Съхранявайте батерията при 30 до 50 % от заряда.

Зареждайте батерията на всеки 6 месеца.

В гнездото за акумулатора на зарядните устройства не бива да попадат метални части (опасност от късо съединение).

ЗАЩИТА ОТ ПРЕТОВАРВАНЕ НА БАТЕРИЯТА

При претоварване на акумулатора поради много висока консумация на ток, напр. много високи въртящи моменти, заклиняване на свредлото, внезапен стоп или късо съединение, електрическият инструмент бърмчи 2 секунди и самостоятелно се изключва.

ПРЕВОЗ НА ЛИТИЕВО-ЙОННИ БАТЕРИИ

Литиево-йонните батерии са предмет на законовите разпоредби за превоз на опасни товари.

Превозът на тези батерии трябва да се извършва в съответствие с местните, националните и международните разпоредби и регламенти.

Потребителите могат да превозват тези батерии по пътя без допълнителни изисквания.

Превозът на литиево-йонни батерии от транспортни компании е предмет на законовите разпоредбите за превоз на опасни товари. Подготовката на превоза и самият превоз трябва да се извършват само от обучени лица. Целият процес трябва да е под професионален надзор.

Спазвайте следните изисквания при превоз на батерии:

Уверете се, че контактите са защитени и изолирани, за да се избегне късо съединение. Уверете се, че няма опасност от разместване на батерията в опаковката. Не превозвайте повредени батерии или такива с течове. Обърнете се към Вашата транспортна компания за допълнителни инструкции.

СЕ - ДЕКЛАРАЦИЯ ЗА СЪОТВЕТСТВИЕ

Ние декларираме, изцяло на наша отговорност, че продуктът, описан в „Технически данни“, съответства на всички необходими изисквания на директивите

2011/65/EC (RoHS)

2006/42/EO

2014/53/EC

и че са използвани следните хармонизирани стандарти

EN 62841-1:2015

EN 62841-2-9:2015

EN 55014-1-2:2017+A11:2020

EN 55014-2:2015

EN 301 489-1 V2.2.3

EN 301 489-17 V3.1.1

EN 300 328 V2.2.2

EN 62479:2010

EN IEC 63000:2018



Winnenden, 2020-11-09

Alexander Krug / Managing Director

Упълномощен за съставяне на техническата документация

Techtronic Industries GmbH

Max-Eyth-Straße 10, 71364 Winnenden, Germany



СИМВОЛИ



ВНИМАНИЕ! ПРЕДУПРЕЖДЕНИЕ! ОПАСНОСТ



Преди започване на каквито е да работи по машината извадете акумулатора.



Дръжте ръцете си далеч от движещите се части.



Преди пускане на уреда в действие моля прочетете внимателно инструкцията за използване.



При работа с машината винаги носете предпазни очила.



Винаги използвайте опорното рамо.



Винаги носете кожени ръкавици.



Това устройство се захранва с клетъчна литиева батерия от тип копче.

V

Напрежение



Постоянен ток



Електрическите уреди, батерии/акумулаторни батерии не трябва да се изхвърлят заедно с битовите отпадъци. Електрическите уреди и акумулаторни батерии трябва да се събират отделно и да се предават на службите за рециклиране на отпадъците според изискванията за опазване на околната среда. Информирайте се при местните служби или при местните специализирани търговци относно местата за събиране и центровете за рециклиране на отпадъци.



Европейски знак за съответствие



Британски знак за съответствие



Украински знак за съответствие



Евро-азиатски знак за съответствие



БЪЛ

DATE TEHNICE Dispozitiv pentru executarea filetelor în țevi	M18 FPT2
Număr producție	4773 51 01 000001-999999
Bandă de frecvență Bluetooth (benzi de frecvență)	2402 - 2480 MHz
Putere la înaltă frecvență	1,8 dBm
Versiune Bluetooth	4.0 BT signal mode
Tehnologia acumulatorului	Li-Ion
Tensiune acumulator	18 V
Turație nominală	
Viteza 1	0 min ⁻¹ ... 29 min ⁻¹
Viteza 2	0 min ⁻¹ ... 41 min ⁻¹
Capacitate	
Viteza 1	1 1/2" ... 2" 32 mm ... 50 mm
Viteza 2	1/8" ... 1 1/4" 3 mm ... 30 mm
Capete de filetat	Ridgid 12-R
Greutatea conform „EPTA procedură 01/2014” (Li-Ion 2.0 Ah ... 12.0 Ah)	10,54 kg ... 11,60 kg
Temperatură ambientală recomandată pentru funcționare	-18 °C ... +50 °C
Seturi de baterii recomandate	M18B... min. 6.0 Ah M18HB...
Încărcător de baterii recomandat	M12-18..., M1418C6
Informație privind zgomotul	
Valori măsurate determinate conform EN 62841. Nivelul de zgomot evaluat cu A al aparatului este tipic de:	
Nivelul presiunii sonore (Nesiguranță K=3dB(A))	74,2 dB(A)
Nivelul sunetului (Nesiguranță K=3dB(A))	85,2 dB(A)
Purtați căști de protecție	
Informații privind vibrațiile	
Valorile totale de oscilație (suma vectorială pe trei direcții determinate conform normei EN 62841.	
Valoarea emisiei de oscilații a_{hmax}	1,6 m/s ²
Nesiguranță K=	1,5 m/s ²



Ro

AVERTISMENT!

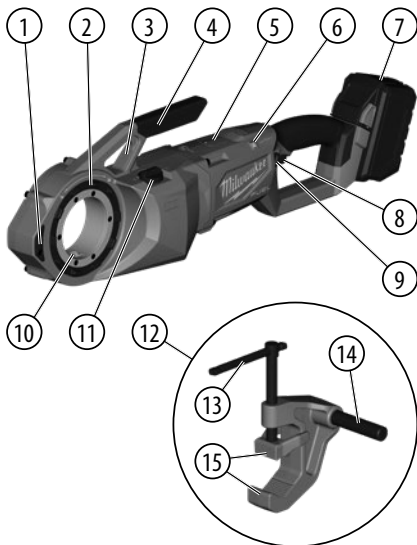
Nivelul vibrației și emisiei de zgomot indicat în această fișă informativă a fost măsurat în conformitate cu o metodă standard de testare specificată în EN 62841 și se poate utiliza pentru a compara dispozitivele între ele. Acesta se poate utiliza și într-o evaluare preliminară a expunerii.

Nivelul declarat al vibrației și emisiei sonore reprezintă principalele aplicații ale dispozitivului. Cu toate acestea, dacă dispozitivul este utilizat pentru aplicații diferite, cu accesorii diferite sau întreținute necorespunzător, emisia de vibrații și zgomote poate diferi. Acest lucru poate crește semnificativ nivelul expunerii pe întreaga perioadă de lucru.

O estimare a nivelului de expunere la vibrații și zgomot ar trebui să țină cont și de momentele în care dispozitivul este oprit sau când funcționează, dar nu realizează de fapt nicio lucrare. Acest lucru poate reduce semnificativ nivelul expunerii pe întreaga perioadă de lucru.

Identificați măsuri de siguranță suplimentare pentru a proteja operatorul de efectele vibrațiilor și/sau zgomotului, cum ar fi: întreținerea dispozitivului și a accesoriilor, menținerea caldă a mâinilor, organizarea modelelor de lucru.

Purtați aparatoare de urechi. Expunerea la zgomot poate duce la pierderea auzului.



Descrierea dispozitivului

- | | |
|---|------------------------|
| ① Mâner lateral | ⑧ Declanșator |
| ② Inel de blocare al capului de filetat | ⑨ Comutator de control |
| ③ Punct de fixare a brațului de susținere | ⑩ Transmisia cuplului |
| ④ Mâner de transport | ⑪ Selector de viteză |
| ⑤ Baterie internă | ⑫ Colier de sprijin |
| ⑥ Indicator ONE KEY | ⑬ Braț de strângere |
| ⑦ Bloc baterie | ⑭ Braț de sprijin |
| | ⑮ Fălci de prindere |

⚠️ AVERTISMENT

Citiți toate instrucțiunile de securitate, recomandările, reprezentările grafice și datele pe care le primiți livrate împreună cu aparatul. În cazul în care nu veți respecta următoarele instrucțiuni, se poate ajunge la electrocutare, incendii și/sau răniri grave.

Păstrați toate indicațiile de avertizare și instrucțiunile în vederea utilizărilor viitoare.

⚠️ INSTRUCȚIUNI DE SIGURANȚĂ PENTRU DISPOZITIVE PENTRU EXECUTAREA FILETELOR ÎN TEVI

- Utilizați întotdeauna dispozitivul de susținere livrat împreună cu dispozitivul. Pierderea controlului în timpul operării poate duce la vătămări corporale.
- Țineți mâncile și jachetele închise în timpul operării dispozitivului. Nu vă întindeți peste dispozitiv sau țevă. Imbrăcămintea se poate agăța țevă sau de dispozitiv, ducând la tragerea în interior.
- Procesul de lucru și operarea dispozitivului trebuie să fie controlate de o singură persoană. Persoanele suplimentare implicate în proces pot interveni prin operațiuni neintenționate și se poate ajunge la vătămări corporale.

d) Păstrați pardoselile uscate și fără materiale alunecoase, cum ar fi uleiul. Pardoselile alunecoase favorizează producerea accidentelor.

Instrucțiuni suplimentare de siguranță și de lucru

- Când executați filetul sau desprindeți capul de filetat de pe țevă, țineți ferm dispozitivul pentru a rezista forțelor, indiferent de dispozitivul de sprijin utilizat. Acest lucru va reduce riscul de lovire, strivire și alte răni.
- Nu utilizați capete de filetat care prezintă semne de uzură, sunt tocite sau deteriorate. Dispozitivele de tăiere ascuțite necesită un cuplu mai mic, iar dispozitivul este mai ușor de controlat.

• Utilizați doar:

- Rems Quick change 1/8" ... 2" (cu inele de adaptare)
- Rothenberger Capete de filetat 1/4" ... 2" (cu inele de adaptare)
- Ridgid 11-R 1/4" ... 2" (cu inele de adaptare)
- Ridgid 12-R

• Nu păstrați capetele de filetat în dispozitiv, pentru a preveni uzura prin frecarea metal pe metal.

- Bazați-vă întotdeauna pe simțul practic și fiți precauți la utilizarea dispozitivelor.** Nu este posibilă anticiparea fiecărei situații care poate avea un rezultat periculos. Nu utilizați acest dispozitiv dacă nu înțelegeți aceste instrucțiuni de operare sau dacă simțiți că lucrarea vă depășește aptitudinea; contactați Milwaukee Tool sau un profesionist instruit pentru informații suplimentare sau instruire.

- Nu înlăturați etichetele și plăcuțele de fabricație.** Aceste plăcuțe conțin informații importante. Dacă aceste plăcuțe indicatoare devin ilizibile sau dacă lipsesc, adresați-vă serviciului pentru clienți MILWAUKEE pentru a le înlocui gratuit.

⚠️ AVERTISMENT

Unele pulberi generate prin abraziune, tăiere, șlefuire, găurire și alte activități de construcție conțin substanțe chimice cunoscute ca provocând cancer, defecte congenitale sau alte daune asupra reproducerii. Câteva exemple de astfel de substanțe chimice sunt:

- plumbul din vopseaua pe bază de plumb
- cristalele de siliciu din cărămizi și ciment și din alte produse din zidărie și
- arsenicul și cromul din cheresteaua tratată chimic.

Riscul cauzat asupra dvs. de aceste expuneri variază în funcție de cât de des faceți acest tip de activitate. Pentru a vă reduce expunerea la aceste substanțe chimice: lucrați într-o zonă bine ventilată și lucrați cu echipamente de siguranță aprobate, cum ar fi măștile de praf special concepute pentru a filtra particulele microscopice.

CONDIȚII DE UTILIZARE SPECIFICE

Acest destinatar este conceput pentru executarea fileturilor de țevi și șuruburilor pentru fileturi pe dreapta și stânga, pentru dimensiuni de până la 2". Orice alte utilizări care nu sunt destinate scopului sunt interzise.

**AVERTISMENT**

Utilizați numai accesoriile recomandate în mod specific pentru acest dispozitiv. Orice alte accesorii pot fi periculoase.

Montarea/demontarea capetelor de filetat

Capul de filetat poate fi introdus pe oricare dintre părțile dispozitivului.

Capul de filetat/adaptorul trebuie introdus pe partea corectă a dispozitivului.

1. Scoateți blocul bateriei.
2. Montați capetele de filetat/adaptorul după cum se arată
3. Înainte de a începe o tăiere, verificați întotdeauna blocarea în siguranță a capului de filetat în dispozitiv.
4. Pentru îndepărtare, deblocați inelul de blocare al capului de filetat și trageți capul de filetat afară din dispozitiv.

OPERAREA

Rezistența la forțele de executare a filetelui

Utilizați întotdeauna dispozitivul de susținere livrat împreună cu dispozitivul. Brațul de susținere se angajează pe țeavă și ajută la rezistența contra forțelor care apar la executarea filetelui.

AVERTISMENT! Pierderea controlului în timpul operării poate duce la vătămări corporale.

Selectarea vitezei

Selectorul de viteză se află pe partea superioară a carcasei. Așteptați până când dispozitivul s-a oprit complet înainte de a schimba vitezele.

Utilizarea comutatorului de control

Comutatorul de control poate fi comutat în trei poziții: în sens orar, în sens antiorar și blocat. Așteptați întotdeauna ca motorul să se oprească complet înainte de a utiliza comutatorul de control.

Pentru rotirea în sens orar, apăsați comutatorul de control din partea stângă a dispozitivului. **Înainte de utilizare, verificați sensul de rotație. Această rotație va confecționa fileturi pe dreapta atunci când capătul de filetare este introdus din stânga (fața) dispozitivului.**

Pentru rotirea în sens antiorar, apăsați comutatorul de control din partea dreaptă a dispozitivului. **Înainte de utilizare, verificați sensul de rotație. Această rotație va confecționa fileturi pe dreapta atunci când capătul de filetare este introdus din dreapta (spatele) dispozitivului.**

Blocați întotdeauna declanșatorul sau scoateți blocul bateriilor înainte de a efectua lucrări de întreținere, schimbarea accesoriilor, depozitarea dispozitivului și oricând dispozitivul nu este utilizat.

Executarea filetelui

Pregătiți țeava în mod corespunzător. Asigurați-vă că țeava este tăiată perpendicular și debavurată. Tăierea țevii într-un unghi poate deteriora capetele de filetare în timpul executării filetelui și poate provoca dificultăți la angajarea capului de filetare. Țeava trebuie să fie stabilă și fixată pentru a preveni căderea în timpul utilizării. Utilizați suporturi pentru țevi adecvate pentru a susține țeava pe întreaga sa lungime.

AVERTISMENT! Nu purtați bijuterii, haine largi sau nu folosiți cărpe în timp ce operați dispozitivul. Nu purtați mănuși predispușe la tragerea în interior în timp ce împingeți sau în apropierea părților în mișcare; acest lucru crește riscul de prindere în interior și rănire. Odată ce capetele de filetat se angajează pe țeavă, fileturile vor fi executate pe măsură ce capetele de filetat se trag de pe capătul țevii.

AVERTISMENT! Țineți întotdeauna ferm dispozitivul, pentru a rezista forțelor generate de acesta. În cazuri rare, dispozitivele de susținere ar putea să alunece și să permită deplasarea dispozitivului.

Folosiți un unghior cu ulei pentru a aplica o cantitate generoasă de ulei pentru executarea filetelui pe zona respectivă. Acest lucru va reduce cuplul necesar pentru executarea filetelui, va îmbunătăți calitatea filetelui și va crește durata de viață a capului de filetat.

AVERTISMENT! Taișurile pot fi foarte ascuțite. Curățați orice scurgeri de ulei, pentru a menține un mediu de lucru sigur. Pentru fileturile pe stânga, inversați selecțiile în sens orar/antiorar.

Inspectarea fileturilor/utilizarea calibrului inelar

1. Ștergeți de pe filet orice urmă de ulei, șpan sau reziduuri.
2. Inspectați filetul. Fileturile trebuie să fie netede, complete și cu o formă corespunzătoare. Dacă se observă nereguli precum fileturile rupte, fileturile subțiri sau lipsa circularității în interiorul țevii, este posibil ca filetul să nu închidă etanș.
3. Pentru a verifica dimensiunea filetelui cu un calibrul inelar, înfiletați calibrul pe țeavă și strângeți-l manual. Capătul țevii trebuie să fie la același nivel cu partea laterală a calibrului (plus sau minus o rotație). Dacă filetul nu se măsoară corect, tăiați filetul, reglați capul de filetare și executați un alt filet. **AVERTISMENT!** Utilizarea unui filet care nu este calibrat corect poate provoca scurgeri.

INTREȚINERE

Îndepărtați acumulatorul înainte de începerea lucrului pe mașina. Nu desfaceți niciodată dispozitivul pentru executarea filetelor în țevi, bateria detașabilă sau încărcătorul.

Verificați ca dispozitivul pentru executarea filetelor în țevi să nu prezinte nicio problemă, cum ar fi zgomotul sau încălzirea componentelor mobile, care ar putea afecta dispozitivul.

Verificați ca dispozitivele de tăiere să nu prezinte crăpături sau alte semne de uzură.

Curățați praful și reziduurile de pe deschideri. Păstrați mânerul curat, uscat și fără uleiuri sau grăsimi. Pentru curățare, utilizați numai săpun delicat și o cârpă umedă, deoarece anumiți agenți de curățare și solvenți dăunează materialelor din plastic și altor componente izolate. Unii dintre aceștia includ benzina, terpenina, diluantul pentru lacuri și vopsele, solvenții de curățare clorurați, amoniacul și detergenții de uz casnic cu conținut de amoniac. Nu utilizați niciodată solvenți inflamabili sau combustibili în jurul dispozitivelor.

Verificați dacă capetele de filetare sunt bine ascuțite și înlocuiți capetele de filetare uzate.

Înlocuiți ștanțele dacă sunt ciobite sau deteriorate.

Înlocuiți capetele de filetare întotdeauna în set complet.



Ro

Pentru a evita rănirile și deteriorările, nu scufundați niciodată în lichide nealate, bateria detașabilă sau încărcătorul și nu permiteți niciodată pătrunderea lichidelor în acestea.

Fantele de aerisire ale mașinii trebuie să fie menținute libere tot timpul

Lucrările de service și de reparație suplimentare au voie să fie efectuate numai de ateliere de specialitate autorizate.

Utilizați numai accesorii și piese de schimb Milwaukee. Dacă unele din componente care nu au fost descrise trebuie înlocuite , vă rugăm contactați unul din agenții de service Milwaukee (vezi lista noastră pentru service / garanți

Dacă este necesară, se poate comanda o imagine descompusă a sculei. Vă rugăm menționați numărul art. Precum și tipul mașinii tipărit pe etichetă și comandați desenul la agenții de service locale sau direct la Techtronic Industries GmbH, Max-Eyth-Straße 10, 71364 Winnenden, Germany.



ONE-KEY™

Pentru a afla mai multe despre funcționalitatea ONE-KEY a acestui dispozitiv, vă rugăm să consultați ghidul rapid anexat acestui produs sau să accesați <http://www.milwaukeetool.com/one-key> Puteți descărca aplicația ONE-KEY de pe App Store sau Google Play pe Smartphone-ul dvs.

Rezultatul verificării satisface cerințele noastre minime în conformitate cu EN 301 489-1 / EN 301 489-17. Vom transmite clientului ghidul operațional integrat în Manualul de utilizare.

ACUMULATORI

Acumulatorii care nu au fost utilizați o perioadă de timp trebuie reîncărcați înainte de utilizare

Temperatura mai mare de 50°C (122°F) reduce performanța acumulatorului. Evitați expunerea prelungită la căldură sau radiație solară (ris de supraîncălzire)

Contactele încărcătoarelor și acumulatorilor trebuie păstrate curate.

În scopul optimizării duratei de funcționare, bateriile trebuie reîncărate complet după utilizare.

Pentru o durată de viață cât mai lungă, acumulatorii ar trebui scoși din încărcător după încărcare.

La depozitarea acumulatorilor mai mult de 30 zile:

Acumulatorii se depozitează la cca. 27°C și la loc uscat.

Acumulatorii se depozitează la nivelul de încărcare de cca. 30%-50%.

Acumulatorii se încarcă din nou la fiecare 6 luni.

Nu se permite introducerea nici unei piese metalice în locașul pentru acumulator al încărcătorului. (ris de scurtcircuit)

PROTECȚIE SUPRAÎNCĂRCARE ACUMULATOR

În caz de supraîncărcare a acumulatorului prin consum foarte ridicat de curent, de ex. cupluri mecanice extrem de mari, înțepenirea burghiului, întrerupere bruscă sau scurtcircuit, unealta electrică produce timp de 2 secunde un zgomot înfundat, după care se decuplează de la sine.

TRANSPORTUL ACUMULATORILOR CU IONI DE LITIU

Acumulatorii cu ioni de litiu cad sub incidența prescripțiilor legale pentru transportul de mărfuri periculoase.

Transportul acestor acumulatori trebuie să se efectueze cu respectarea prescripțiilor și reglementărilor pe plan local, național și internațional.

Consumatorilor le este permis transportul rutier nerestricționat al acestui tip de acumulatori.

Transportul comercial al acumulatorilor cu ioni de litiu prin intermediul firmelor de expediție și transport este supus reglementărilor transportului de mărfuri periculoase. Pregătirile pentru expediție și transport au voie să fie efectuate numai de către personal instruit corespunzător. Întregul proces trebuie asistat în mod competent.

Următoarele puncte trebuie avute în vedere la transportul acumulatorilor:

Pentru a se evita scurtcircuite, asigurați-vă de faptul că sunt protejate și izolate contactele. Aveți grijă ca pachetul de acumulatori să nu poată aluneca în altă poziție în interiorul ambalajului său. Este interzis transportarea unor acumulatori deteriorați sau care pierd lichid. Pentru indicații suplimentare adresați-vă firmei de expediție și transport cu care colaborați.

DECLARAȚIE DE CONFORMITATE

Declarăm pe propria răspundere că produsul descris în capitolul „Date tehnice” îndeplinește toate cerințele relevante ale directivelor

2011/65/UE (RoHS)

2006/42/CE

2014/53/UE

și au fost utilizate următoarele standarde armonizate

EN 62841-1:2015

EN 62841-2-9:2015

EN 55014-1:2017+A11:2020

EN 55014-2:2015

EN 301 489-1 V2.2.3

EN 301 489-17 V3.1.1

EN 300 328 V2.2.2

EN 62479:2010

EN IEC 63000:2018



Winnenden, 2020-11-09

Alexander Krug / Managing Director

Împuternicit să elaboreze documentația tehnică.

Techtronic Industries GmbH

Max-Eyth-Straße 10, 71364 Winnenden, Germany

SIMBOLURI



PERICOL! AVERTIZARE! ATENȚIE!



Îndepărtați acumulatorul înainte de începerea lucrului pe mașina



Feriți-vă mâinile de piesele mobile.



Va rugăm citiți cu atenție instrucțiunile înainte de pornirea mașinii



Purtați întotdeauna ochelari de protecție când utilizați mașina.



Utilizați întotdeauna brațul de susținere.



Purtați întotdeauna mănuși din piele.



Această sculă conține o baterie rotundă specializată tip litiu.



Tensiune



Curent continuu



Aparatele electrice, bateriile/acumulatorii nu se elimină împreună cu deșeurile menajere. Aparatele electrice și acumulatorii se colectează separat și se predau la un centru de reciclare, în vederea eliminării ecologice. Informați-vă de la autoritățile locale sau de la comercianții acreditați în legătură cu centrele de reciclare și de colectare.



Marcă de conformitate europeană



Marcă de conformitate britanică



Marcă de conformitate ucraineană



Marcă de conformitate eurasiatică



ТЕХНИЧКИ ПОДАТОЦИ Уред за режење навој на цевки	M18 FPT2
Производен број	4773 51 01 000001-999999
Фреквентна лента (фреквентни ленти) за блутут	2402 - 2480 MHz
високофреквентна моќност	1,8 dBm
Верзија блутут	4.0 BT signal mode
Батериска технологија	Li-Ion
Волтажа на батеријата	18 V
Номинална брзина	
1. брзина	0 min ⁻¹ ... 29 min ⁻¹
2. брзина	0 min ⁻¹ ... 41 min ⁻¹
Капацитет	
1. брзина	1 1/2" ... 2" 32 mm ... 50 mm
2. брзина	1/8" ... 1 1/4" 3 mm ... 30 mm
Матрични глави	Ridgid 12-R
Тежина според ЕПТА-процедурата 01/2014 (Li-Ion 2.0 Ah ... 12.0 Ah)	10,54 kg ... 11,60 kg
Препорачана температура на околината за работа	-18 °C ... +50 °C
Препорачани комплекти акумулаторски батерии	M18B... min. 6.0 Ah M18HB...
Препорачани полначи	M12-18..., M1418C6
Информации за бучавата Измерените вредности се одредени согласно стандардот EN 62841. А-оценетото ниво на бучава на апаратот типично изнесува:	
Ниво на звучен притисок. (Несигурност K=3dB(A))	74,2 dB(A)
Ниво на јачина на звук. (Несигурност K=3dB(A))	85,2 dB(A)
Носте штитник за уши.	
Информации за вибрации Вкупни вибрациски вредности (векторски збир на трите насоки) пресметани согласно EN 62841.	
Вибрациска емисиона вредност a _{hmax}	1,6 m/s ²
Несигурност K	1,5 m/s ²



ПРЕДУПРЕДУВАЊЕ!

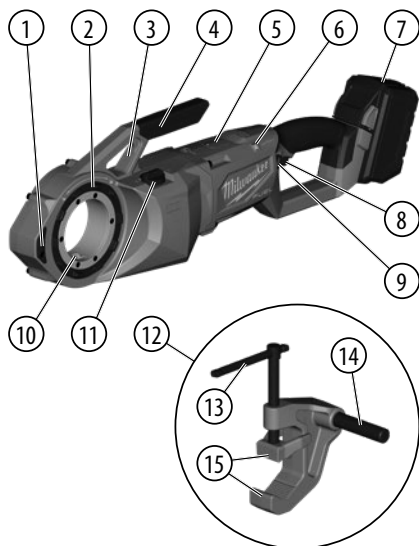
Нивото на вибрации и емисија на бучава дадени во овој информативен лист се измерени во согласност со стандардизиран метод на тестирање даден во EN 62841 и може да се користат за споредување на еден електричен алат со друг. Тие исто така може да се користат при првична проценка на изложеност.

Наведеното ниво на вибрации и емисија на бучава ја претставува главната примена на алатот. Сепак ако алатот се користи за поинакви примени, со поинаков прибор или лошо се одржува, вибрациите и емисијата на бучава може да се разликуваат. Тоа може значително да го зголеми нивото на изложеност преку целиот работен период.

Проценка на нивото на изложеност на вибрации и бучава треба исто така да се земе предвид кога е исклучен алатот или кога е вклучен, но не врши никаква работа. Тоа може значително да го намали нивото на изложеност преку целиот работен период.

Утврдете дополнителни безбедносни мерки за да се заштити операторот од ефектите на вибрациите и/или бучавата како на пр.: одржувајте го алатот и приборот, рацете нека ви бидат топли, организација на работните шеми.

Носете штитник за уши. Влијанието на бука може да предизвика губење на сетилото за слух.



Опис на уредот

- | | | | |
|---|---|----|--------------------------|
| 1 | Странична дршка | 9 | Контролен прекинувач |
| 2 | Прстен за заклучување на матричната глава | 10 | Пренос на вртежен момент |
| 3 | Место за прицврстување на раката за потпирање | 11 | Менувач на брзина |
| 4 | Рачка за носење | 12 | Стега за потпирање |
| 5 | Внатрешна батерија | 13 | Рака за затегнување |
| 6 | Индикатор ONE KEY | 14 | Рака за потпирање |
| 7 | Акумулатор | 15 | Челусти |
| 8 | Активатор (окидач) | | |

⚠ ПРЕДУПРЕДУВАЊЕ

Прочитајте ги сите безбедносни напомени, упатства, цртежи и податоци, коишто ги добивате заедно со уредот. Доколку не ги почитувате следните упатства, може да дојде до електричен удар, до пожар и/или до тешки повреди. Сочувајте ги сите безбедносни упатства и инструкции за во иднина.

⚠ БЕЗБЕДНОСНИ УПАТСТВА ЗА УРЕДИ ЗА РЕЖЕЊЕ НАВОЈ НА ЦЕВКИ

- Секогаш користете го уредот за потпирање доставен со алатот. Губењето контрола за време на работа може да доведе до телесна повреда.
- Чувајте ги ракавите и палтата закопчани додека работите со алатот. Не пресекувајте се преку алатот или цевката. Облеката може да биде зафатена од цевката или од алатот и да доведе до заплеткување.
- Само едно лице мора да го контролира работниот процес и работењето на алатот. Ако се вклучени дополнителни луѓе во процесот, тоа може да доведе до случајно активирање и телесна повреда.

d) Одржувајте ги подовите суви и без лизгави материјали како на пример масло. Лизгавите подови предизвикуваат незгоди.

Останати безбедносни и работни упатства

- Кога режете навој или ја наслонувате матричната глава на цевката, цврсто држете го алатот за да им се спротивставите на силите без оглед на користениот уред за потпирање. Ова ќе го намали ризикот од удирање, свиткување и други повреди.
- Не користете матрици што покажуваат знаци на абеење, испаненост или оштетување. На остриите алати за сечење им треба помал вртежен момент и алатот полесно се контролира.
- Користете само:**
 - Rems Quick change 1/8" ... 2" (со адаптерски прстени)
 - Rothenberger Матрични глави 1/4" ... 2" (со адаптерски прстени)
 - Ridgid 11-R 1/4" ... 2" (со адаптерски прстени)
 - Ridgid 12-R
- Матричните глави немојте да ги чувате во алатот, за да спречите абеење метал од метал.**
- Секогаш постапувајте со здрав разум и бидете внимателни кога користите алати.** Не е возможно да се предвиди секоја ситуација која може да доведе до опасен исход. Немојте да го користите алатот ако не ги разбирате упатствата за работа или ако мислите дека не сте способни да ја вршите работата; за дополнителни информации или обука, контактирајте со Milwaukee Tool или обучен професионалец.
- Немојте да ги отстранувате етикетите и плочките со упатства.** Овие плочки содржат важни информации. Ако плочките повеќе не се читливи или недостигаат, обратете се до сервисната служба на MILWAUKEE, за да добиете замена на истите.

⚠ ПРЕДУПРЕДУВАЊЕ

Некои прашинакостанати ко електрично шмирглање, сечење, брусење, дупчење и други градежни активности содржат хемикалии коишто предизвикуваат рак, вродени дефекти или други репродуктивни нарушувања. Некои примери за вакви хемикалии се:

- олово од боја на база на олово
- кристален силикат од цигли и цемент и други ѕидарски производи и
- арсеник и хром од хемиски третирана дрвена граѓа.

Ризикот од овие изложувања варира во зависност од тоа колку често го вршите овој тип работа. За да ја намалите изложеноста на овие хемикалии: работете во добро проветрено место и работете со одобрена заштитна опрема како на пример маски за прашина коишто се специјално наменети за филтрирање на микроскопски честички.

СПЕЦИФИЦИРАНИ УСЛОВИ НА УПОТРЕБА

Овој алат е наменет за режење навој на цевки и завртки за лев и десен навој со големина до 2". Други употреби кои не се за предвидената наменета, се забранети.



Mak



ПРЕДУПРЕДУВАЊЕ

Користете само додатоци специјално препорачани за овој алат. Другите може да бидат опасни.

Инсталирање / Вадење на матричните глави

Матричната глава може да се вметне од било која страна на алатот.

Матричната глава/адаптерот мора да се вметне од правилната страна на алатот.

1. Извадете го батериското пакување.
2. Монтирајте ги матричните глави/адаптери како што е прикажано
3. Секогаш проверете дали матричната глава е заклучена во алатот пред да го стартувате режењето.
4. За да ја отстраните, отклучете го прстенот за заклучување на матричната глава и исвадете ја матричната глава од алатот.



ОПЕРАЦИЈА

Отпорни сили на режење навој

Секогаш користете го уредот за потпирање доставен со алатот. Раката за потпирање се стега за цевката и помага во давањето отпор на силите на режење.

ПРЕДУПРЕДУВАЊЕ! Губењето контрола за време на работа може да доведе до телесна повреда.

Избор на брзина

Менувачот на брзина е на горниот дел од кукиштето. Оставете го алатот целосно да запре пред да ја смените брзината.

Користење на контролниот прекинувач

Контролниот прекинувач може да се стави во три позиции: во правец на движење на стрелките од часовникот, обратно од правецот на движење на стрелките на часовникот и заклучување. Секогаш оставете го моторот целосно да запре пред да го користите контролниот прекинувач.

За вртење во правец на движење на стрелките од часовникот, притиснете го контролниот прекинувач од левата страна на алатот. **Проверете го правецот на вртење пред употреба. Ова вртење ќе создаде десен навој кога матрицата е вметната од левата (предна) страна на алатот.**

За вртење во обратен правец од правецот на движење на стрелките на часовникот, притиснете го контролниот прекинувач од десната страна на алатот. **Проверете го правецот на вртење пред употреба. Ова вртење ќе создаде десен навој кога матрицата е вметната од десната (задна) страна на алатот.**

Секогаш заклучувајте го прекинувачот или извадете го батериското пакување пред одржување, промена на додатоци, складирање на алатот и секогаш кога не се користи алатот.

Режење навој

Правишно подгответе ја цевката. Проверете дали цевката е правоаголно пресечена и обезмастена. Засекувањето на цевката под агол може да ги оштети матриците додека се врши режење навој и може да предизвика тешко вовлекување на матричната глава. Цевката мора да биде стабилна и прицврстена за да спречи превртување за време на употреба. Користете соодветни држачи за цевка за да ја потпрете цевката по должина.

ПРЕДУПРЕДУВАЊЕ! Немојте да носите накит, лабава облека, или користете крпа додека работите со алатот. Немојте да носите ракавици подложни на кинење додека притискате врз или во близина на подвижни делови; ова го зголемува ризикот од заплеткување и повреда. Штом матрицата ќе ја зафати цевката, навојот се реже со собирање на матриците на крајот од цевката.

ПРЕДУПРЕДУВАЊЕ! Секогаш цврсто држете го алатот за да им се спротивставите на силите на алатот. Уредите за потпирање може, во ретки случаи, да се лизнат и да дозволат движење на алатот.

Користете подмачкувалка за да нанесете поголема количина на масло за режење навој на местото. Ова ќе го намали потребниот вртежен момент за режење навој, ќе го подобри квалитетот на навојот и ќе го зголеми работниот век на матрицата.

ПРЕДУПРЕДУВАЊЕ! Засеците може да бидат остри. Исчистете го вишокот масло за да одржите безбедна работна средина.

За леви навој, сменете го изборорот во правец на движење на стрелките на часовникот/во обратна насока од правецот на движење на стрелките на часовникот.

Проверка на навоите/Користење на прстен за мерење

1. Избришете го маслото, струганиците или остатоците од навојот.
2. Проверете го навојот. Навојот треба да биде мазен, целосен и во добра форма. Ако се видливи неправилности како на пример кинење на навој, тенок навој, незаобленост или овалност на цевката, навојот може да не дихтува.
3. За да ја проверите големината на навојот со прстен за мерење, навртете го инструментот на цевката и затегнете со рака. Крајот на цевката треба да биде израмнет со страната на инструментот (плус или минус едно вртење). Ако навојот не се мери правилно, пресечете го навојот, прилагодете ја матричната глава и нарежете друг навој. **ПРЕДУПРЕДУВАЊЕ!** Ако се користи навој што не се мери правилно, тоа може да предизвика истекувања.

ОДРЖУВАЊЕ

Извадете го батерискиот склоп пред отпочнување на каков и да е зафат врз машината.

Никогаш не го отворајте уредот за режење навој на цевки, батеријата што се отстранува или полначот.

Проверете го уредот за режење навој на цевки дали има какви било проблеми, како на пример бучава или заглавување на подвижните делови кои може да влијаат врз алатот.

Проверете ја алатката за сечење да не има пукнатини и други знаци на изабеност.

Чистете ја прашината и остатоците од отворите. Одржувајте ја рачката чиста, сува и без масло или мазира. Користете само благ сапун и влажна крпа за чистење, бидејќи одредени средства за чистење и растворувачи се штетни за пластика и други неизолирани делови. Некои од нив вклучуваат бензин, терпентин, разредувач за лак, разредувач за боја, хлорирани средства за чистење, амонијак и детергенти за домаќинството што содржат амонијак. Никогаш не користете запаливи или горливи растворувачи околу алатите.

Проверете дали се остри матриците и заменете ги изабените матрици секогаш во комплет.

Заменете ги матриците кога ќе се скршат или оштетат.

Секогаш заменувајте ги матриците во комплет.

За да избегнете повреда и оштетување, алатот, преносливата батерија или полначот никогаш не потопувајте ги во течност или, пак, не дозволувајте во нив да навлезе вода.

Вентилациските отвори на машината мора да бидат комплетно отворени постојано.

Освен тоа, сервисирањето и поправките смеат да ги извршуваат само овластени специјализирани работилници.

Користете само Milwaukee додаточи и резервни делови. Доколку некои од компонентите кои не се опишани треба да бидат заменети, Ве молиме контактирајте ги сервисните агенти на Milwaukee (консултирајте ја листата на адреси).

Доколку е потребно можно е да биде набавен детален приказ на алатот. Ве молиме наведете го бројот на артиклот како и типот на машина кој е отпечатан на етикетата и порачајте ја скицата кај локалниот застапник или директно кај: Techtronic Industries GmbH, Max-Eyth-Strasse 10, 71364 Winnenden, Germany.

ONE-KEY™

За да дознаете повеќе за ONE-KEY функциите на овој уред, прочитајте го приложеното упатство за брз старт или посетете нè на веб-страницата: <http://www.milwaukeeetool.com/one-key> Апликацијата ONE-KEY можете да ја симнете на Вашиот смартфон преку App Store или Google Play.

Резултатот од инспекцијата ги исполнува нашите минимални барања според EN 301 489-1 / EN 301 489-17. Во прирачникот за корисници на муштериите ќе им дадеме упатство за ракување.

БАТЕРИИ

Батериите кои не биле користени подолго време треба да се наполнат пред употреба.

Температура повисока од 50°C (122°F) го намалуваат траењето на батериите. Избегнувајте подолго изложување на батериите на високи температури или сонце (ризик од прегревање).

Клемите на полначот и батериите мора да бидат чисти.

За оптимален работен век батериите мора да се наполнат целосно по употреба.

За можно подолг век на траење, апаратите после нивното полнење треба да бидат извадени од апаратот за полнење на батериите.

Во случај на складирање на батеријата подолго од 30 дена:

Акумулаторот да се чува на температура од приближно 27°C и на суво место.

Акумулаторот да се складира на приближно 30%-50% од состојбата на наполнетост.

Акумулаторот повторно да се наполни на секои 6 месеци.

Метални парчиња не смеат да навлезат во делот за полнење на батерија (ризик од краток спој).

ЗАШТИТА ОД ПРЕОПТЕРЕТУВАЊЕ НА БАТЕРИЈАТА

При преоптоварување на батеријата со многу висока потрошувачка на струја, на пример екстремно високи вртежни моменти, заглавување на дупчалката, ненадејно запирање или краток спој, електро-уредот бучи 2 секунди, а потоа самостојно се гаси.

ТРАНСПОРТ НА ЛИТИУМ-ЈОНСКИ БАТЕРИИ

Литиум-јонските батери подлежат на законските одредби за транспорт на опасни материи.

Транспортот на овие батери мора да се врши согласно локалните, националните и меѓународните прописи и одредби. Потрошувачите на овие батери може да вршат непречен патен транспорт на истите.

Комерцијалниот транспорт на литиум-јонски батери од страна на шпедитерски претпријатија подложни на одредбите за транспорт на опасни материи. Подготовките за шпедиција и транспорт треба да ги вршат исклучиво соодветно обучени лица. Целокупниот процес треба да биде стручно надгледуван.

При транспортот на батери треба да се внимава на следното:

Осигурајте се дека контактите се заштитени и изолирани, а се тоа со цел да се избегнат кратки споеви. Внимавајте да не дојде до измествување на батериите во нивната амбалажа. Забранет е транспорт на оштетени или протечени литиум-јонски батери. За понатамошни инструкции обратете се до Вашето шпедитерско претпријатие.



Mak

ЕУ-ДЕКЛАРАЦИЈА ЗА СООБРАЗНОСТ

Под целосна лична одговорност изјавуваме дека производот опишан во „Технички податоци“ е во сообразност со сите релевантни прописи од директивите

2011/65/EU (RoHS)

2006/42/EC

2014/53/EU

и дека се применети следните хармонизирани стандарди

EN 62841-1:2015

EN 62841-2-9:2015

EN 55014-1:2017+A11:2020

EN 55014-2:2015

EN 301 489-1 V2.2.3

EN 301 489-17 V3.1.1

EN 300 328 V2.2.2

EN 62479:2010

EN IEC 63000:2018



Winnenden, 2020-11-09

Alexander Krug / Managing Director

Ополномоштен за составување на техничката документација.

Techtronic Industries GmbH

Max-Eyth-Straße 10, 71364 Winnenden, Germany

СИМБОЛИ



ВНИМАНИЕ! ПРЕДУПРЕДУВАЊЕ! ОПАСНОСТ!



Извадете го батеријскиот склоп пред отпочнување на каков и да е зафат врз машината.



Држете ги рацете подалеку од движечките делови.



Ве молиме пред да ја стартувате машината обрнете внимание на упатствата за употреба.



Секогаш при користење на машината носете ракавици.



Секогаш користете рака за потпирање.



Секогаш носете кожни ракавици.



Овој уред содржи една копчасти литиумска батерија.



Напон



Истосмерна струја



Електричните апарати и батериите што се полнат не смеат да се фрлат заедно со домашниот отпад. Електричните апарати и батериите треба да се собираат одделно и да се однесат во соодветниот погон заради нивно фрлање во склад со начелата за заштита на околината. Информирајте се кај Вашите местни служби или кај специјализираниот трговски претставник, каде има такви погони за рециклажа и собирни станици.



Европска ознака за сообразност



Британска ознака за сообразност



Украинска ознака за сообразност



Евроазиска ознака за сообразност

ТЕХНІЧНІ ХАРАКТЕРИСТИКИ Труборізний інструмент	M18 FPT2
Номер виробу	4773 51 01 000001-999999
Діапазон частот Bluetooth (діапазони частот)	2402 - 2480 MHz
потужність високої частоти	1,8 dBm
Версія Bluetooth	4.0 BT signal mode
Акумуляторна технологія	Li-Ion
Напруга знімної акумуляторної батареї	18 V
Номінальна кількість обертів	
1-а передача	0 min ⁻¹ ... 29 min ⁻¹
2-а передача	0 min ⁻¹ ... 41 min ⁻¹
Продуктивність	
1-а передача	1 1/2" ... 2" 32 mm ... 50 mm
2-а передача	1/8" ... 1 1/4" 3 mm ... 30 mm
Нарізні патрони	Ridgid 12-R
Вага згідно з процедурою ЕРТА 01/2014 (Li-Ion 2.0 Ah ... 12.0 Ah)	10,54 kg ... 11,60 kg
Температура навколишнього середовища, рекомендована для експлуатації	-18 °C ... +50 °C
Рекомендовані акумулятори	M18B... min. 6.0 Ah M18NB...
Рекомендовані зарядні пристрої	M12-18..., M1418C6
Інформація про шум Виміряні значення визначені згідно з EN 62841. Рівень шуму "А" приладу становить в типовому випадку:	
Рівень звукового тиску (похибка K = 3 дБ(A))	74,2 dB(A)
Рівень звукової потужності (похибка K = 3 дБ(A))	85,2 dB(A)
Використовувати засоби захисту органів слуху!	
Інформація щодо вібрації Сумарні значення вібрації (векторна сума трьох напрямків), встановлені згідно з EN 62841.	
Значення вібрації a _{hmax}	1,6 m/s ²
похибка K =	1,5 m/s ²



ПОПЕРЕДЖЕННЯ!

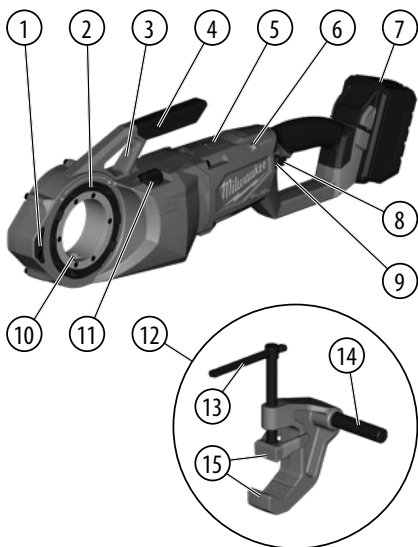
Заявлені значення шумового випромінювання, вказані в цьому інформаційному аркуші, було виміряно відповідно до стандартизованого випробування згідно з EN 62841 та можуть використовуватися для порівняння одного інструмента з іншим. Вони також можуть використовуватися для попередньої оцінки рівня впливу на організм.

Вказані значення вібрації та шумового випромінювання дійсні для основних областей застосування інструмента. Якщо інструмент використовується в інших областях застосування чи з іншим приладдям або не проходить належне обслуговування, значення вібрації та шумового випромінювання можуть відрізнятися. Це може суттєво збільшити рівень впливу на організм протягом загального періоду роботи.

Під час оцінки рівня впливу вібрації та шумового випромінювання на організм також необхідно враховувати періоди, коли інструмент вимкнено, чи коли він працює, але фактично не використовується для виконання роботи. Це може суттєво знизити рівень впливу на організм протягом загального періоду роботи.

Визначте додаткові заходи для захисту оператора від впливу вібрації та/або шуму, наприклад, обслуговування інструмента та його приладдя, зберігання рук у теплі, організація графіків роботи.

Користуйтеся засобами захисту органів слуху. Вплив шуму може спричинити втрату слуху.



Опис пристрою

- | | |
|-------------------------------------|------------------------------|
| 1 Бокове зачеплення | 8 Пусковий курок |
| 2 Стопорне кільце нарізного патрона | 9 Перемикач управління |
| 3 Точка кріплення опорного важеля | 10 Передача крутного моменту |
| 4 Ручка для перенесення | 11 Перемикач швидкостей |
| 5 Внутрішній одноразовий акумулятор | 12 Допоміжний зажим |
| 6 Індикатор ONE KEY | 13 Важіль для затягування |
| 7 Акумуляторна батарея | 14 Опорний важіль |
| | 15 Лещата |

⚠ ПОПЕРЕДЖЕННЯ

Ознайомтеся з усіма вказівками щодо техніки безпеки, інструкціями, ілюстраціями та відомостями, що було надано разом із приладом. Недотримання наведених далі інструкцій може спричинити ураження електричним струмом, пожежу та/або тяжкі травми.

Зберігайте всі вказівки з техніки безпеки та інструкції на майбутнє.

⚠ ІНСТРУКЦІЇ З ТЕХНІКИ БЕЗПЕКИ ДЛЯ ТРУБОНАРИЗНИХ ІНСТРУМЕНТІВ

- Завжди використовуйте опору конструкцію, надану разом з інструментом. Втрата управління під час роботи може призвести до поранення.
- Під час роботи з інструментом рукави та верхній одяг повинні бути застібнуті. Не протягуйте руки в напрямку до інструменту або труби. Труба або інструмент можуть зачепитися за одяг, що призведе до затягування рухомими деталями.
- Керувати процесом і роботою інструменту повинна тільки одна людина. Залучення інших людей може привести до порушення уважності та поранень.

d) Підлоги повинні бути сухими та без слизьких матеріалів, наприклад масла. Слизька підлога може стати причиною нещасних випадків.

Додаткові інструкції з техніки безпеки та експлуатації

- Під час створення нарізки чи зняття нарізного патрона з труби міцно утримуйте інструмент, щоб компенсувати виникаючі сили (незалежно від використання опорної конструкції). Це знизить ризик ударів, защемлень та інших поранень.
- Не використовуйте патрони з ознаками зношення, затупіння або пошкодження. Для гострих нарізних інструментів потрібен менший крутний момент, і ними легше управляти.
- Використовуйте тільки:**
 - Rems Quick change 1/8" ... 2" (з перехідними кільцями)
 - Rothenberger Нарізні патрони 1/4" ... 2" (з перехідними кільцями)
 - Ridgid 11-R 1/4" ... 2" (з перехідними кільцями)
 - Ridgid 12-R
- Не зберігайте нарізні патрони в інструменті, щоб запобігти зношуванню через тертя металу об метал.**
- Завжди керуйтеся загальними правилами раціональної поведінки та будьте обережні під час роботи з інструментами.** Неможливо передбачити всі ситуації, які можуть мати небезпечні наслідки. Не використовуйте інструмент, якщо ви не розумієте ці інструкції з експлуатації або якщо ви вважаєте, що ваші здібності недостатні для виконання роботи; зверніться в компанію Milwaukee Tool або до досвідченого спеціаліста для отримання додаткової інформації чи проведення інструктажу.
- Не видаляйте етикетки та фірмові щітки.** Вони містять важливу інформацію. Якщо текст на вказівних табличках стає нечитабельним або відсутній, зверніться до служби підтримки MILWAUKEE для безкоштовної заміни табличок.

⚠ ПОПЕРЕДЖЕННЯ

Пил, що виникає під час механічного шліфування, пиляння, свердління та інших будівельних робіт, може містити хімічні речовини, які викликають рак, порушення репродуктивної функції та інші розлади репродуктивної системи. Деякі приклади таких хімічних речовин наведено нижче.

- Свинець із фарб, які містять свинець
- Кристалічний діоксид кремнію з цеглин і цементу та інших матеріалів для стінобудування
- Миш'як і хром із хімічно оброблених лісоматеріалів.

Ризик ураження цими хімікатами залежить від частоти виконання робіт цього типу. Для зменшення ризику ураження цими хімікатами: працюйте у добре вентильованих приміщеннях, використовуйте затверджене захисне спорядження, наприклад респіратори, спеціально призначені для фільтрації мікроскопічних частинок.

ВИКОРИСТАННЯ ЗА ПРИЗНАЧЕННЯМ

Цей інструмент призначений для створення право- та лівосторонньої нарізки розміром до 2 дюймів на трубах і болтах. Використання в інших цілях, які не відповідають призначенню, заборонено.

СКЛАДАННЯ



ПОПЕРЕДЖЕННЯ

Використовуйте допоміжне приладдя, спеціально рекомендоване для цього інструменту. Інше приладдя може становити небезпеку.

Установлення/зняття нарізних патронів

Патрон можна вставляти з будь-якого боку інструмента.

Патрон/адаптер необхідно вставляти з правильного боку інструмента.

1. Вийміть акумулятор.
2. Зберіть патрони/адаптери, як показано на рисунку
3. Перед початком нарізання завжди перевіряйте кріплення патрона в інструменті.
4. Для виймання розблокуйте стопорне кільце головки патрона та витягніть її з інструмента.

ЕКСПЛУАТАЦІЯ

Компенсація сил, що виникають під час нарізання

Завжди використовуйте опорну конструкцію, надану разом з інструментом. Опорний важіль притискається до труби та допомагає компенсувати сили, що виникають під час нарізання.

ПОПЕРЕДЖЕННЯ! Втрата управління під час роботи може призвести до поранення.

Вибір швидкості

Перемикач швидкостей розташований у верхній частині корпусу. Перед зміною швидкості дочекайтеся повної зупинки інструмента.

Використання перемикача управління

Перемикач управління можна встановити в трьох положеннях: за годинниковою стрілкою, проти годинникової стрілки та блокування. Перед використанням перемикача управління обов'язково дочекайтеся повної зупинки інструмента.

Для обертання за годинниковою стрілкою натисніть перемикач управління з лівого боку інструмента. **Перед використанням перевірте напрямок обертання. Це обертання призведе до створення правосторонньої нарізки, коли патрон вставляється з лівої (передньої) сторони інструмента.**

Для обертання проти годинникової стрілки натисніть перемикач управління з правого боку інструмента. **Перед використанням перевірте напрямок обертання. Це обертання призведе до створення правосторонньої нарізки, коли патрон вставляється з правої (задньої) сторони інструмента.**

Завжди блокуйте кнопку запуску або виймайте акумулятор перед виконанням технічного обслуговування, заміною приладдя, зберіганням інструмента та завжди, коли інструмент не використовується.

Нарізання

Підготуйте трубу належним чином. Переконайтеся в тому, що трубу обрізано під прямим кутом і що вона не має задирок. Обрізання труби під косим кутом може привести до пошкодження патронів під час нарізання та може заважати їх зачепленню. Під час використання труба повинна мати стійке положення й бути захищеною від перекидання. Використовуйте відповідні опори для підтримки довгих труб.

ПОПЕРЕДЖЕННЯ! Не носіть прикраси або вільний одяг і не використовуйте ганчірки під час роботи інструмента. Не надягайте рукавички, які можуть зачепитися за рухомі частини після дотику до них або поруч із ними; це збільшує ризик затягування рухомими деталями та ризик поранення. Коли патрони увійдуть у контакт із трубою, почнеється нарізання, оскільки вони автоматично притягнуться до кінця труби.

ПОПЕРЕДЖЕННЯ! Завжди тримайте інструмент міцно, щоб протидіяти винакаючим силам. У поодиноких випадках опорні конструкції можуть зісковзнути, спричинивши переміщення інструменту.

За допомогою лубрикатора рясно нанесіть на відповідну область мастило для нарізання. Це знизить необхідний крутний момент для нарізання, поліпшить якість нарізки та збільшить тривалість служби патрона.

ПОПЕРЕДЖЕННЯ! Зрізи можуть бути гострими. Прибирайте розлите масло, щоб підтримувати безпеку на робочому місці. Для лівосторонньої нарізки змініть вибраний напрям обертання (за годинниковою стрілкою/проти годинникової стрілки).

Перевірка нарізки/використання кільцевого калібру

1. Очистьте нарізку від масла, стружки або сміття.
 2. Огляньте нарізку. Вона повинна бути гладкою, повною та мати добрий стан. Якщо ви бачите дефекти, такі як розризи нарізки, тонка нарізка або деформація круглого профілю труби, нарізка може не забезпечити ущільнення.
 3. Для перевірки розміру нарізки за допомогою кільцевого калібру нагвинтіть його на трубу та затягніть вручну. Кінець труби повинен бути на одному рівні з боковою стороною калібру (плюс-мінус один оберт). Якщо нарізка не калібрується належним чином, зріжте її, відрегулюйте головку патрона та повторіть нарізання заново.
- ПОПЕРЕДЖЕННЯ!** Використання нарізки з неправильним калібруванням може спричинити витік.

ОБСЛУГОВУВАННЯ

Перед будь-якими роботами на приладі виїняти змінну акумуляторну батарею.

У жодному разі не відкривайте труборізний інструмент, знімний акумулятор чи зарядний пристрій.

Перевіряйте труборізний інструмент на наявність будь-яких проблем, таких як шуми чи заклинювання рухомих деталей, що може впливати на роботу пристрою.

Перевірте різальні інструменти на наявність тріщин або інших ознак зношення.



Очищайте отвори від пилу та бруду. Ручка повинна бути чистою та сухою, без масла чи мастила. Для очищення використовуйте лише м'який мильний розчин і м'яку тканину, оскільки деякі очисні засоби та розчинники можуть пошкодити пластикові та інші ізольовані деталі. Поміж іншого, до них належать бензин, скипидар, розчинник для лаку, розчинник для фарби, хлорвмісні очисні засоби, аміак і побутові очисні засоби, що містять аміак. У жодному разі не користуйтеся займистими чи вибухонебезпечними розчинниками поблизу інструментів. Перевіряйте гострість губки і замінійте зношені патрони повним комплектом.

Замінійте губки, якщо вони мають щербини чи пошкодження.

Завжди замінійте патрони повним комплектом.

Щоб уникнути травм та пошкодження майна, в жодному разі не опускайте інструмент, знімний акумулятор і зарядний пристрій у рідину та не допускайте проникнення рідини всередину цих пристроїв.

Завжди підтримувати чистоту вентиляційних отворів.

Подальші роботи з обслуговування та ремонту можуть виконуватися лише уповноваженими спеціалізованими майстернями.

Використовувати тільки комплектуючі та запчастини Milwaukee. Деталі, заміна яких не описується, замінювати тільки в відділі обслуговування клієнтів Milwaukee (зверніть увагу на брошуру „Гарантія / адреси сервісних центрів“).

У разі необхідності можна запросити креслення з зображенням вузлів машини в перспективному вигляді, для цього потрібно звернутися в ваш відділ обслуговування клієнтів або безпосередньо в Techtronic Industries GmbH, Max-Eyth-Straße 10, 71364 Winnenden, Німеччина, та вказати тип машини та шестизначний номер на фірмовій таблиці з даними машини.

ONE-KEY™

Додаткову інформацію щодо функції ONE-KEY цього пристрою див. в наданому до цього продукту короткому посібнику щодо початку роботи або на нашому інтернет-сайті <http://www.milwaukeeetool.com/one-key>

Можна завантажити застосунок ONE-KEY через App Store або Google Play на ваш смартфон.

Результат випробування відповідає нашим мінімальним вимогам згідно з EN 301 489-1 / EN 301 489-17. Ми надамо замовнику інструкції з експлуатації в посібнику користувача.

АКУМУЛЯТОРНІ БАТАРЕЇ

Знімну акумуляторну батарею, що не використовувалася тривалий час, перед використанням необхідно підзарядити.

Температура понад 50 °C зменшує потужність знімної акумуляторної батареї. Уникати тривалого нагрівання сонячними променями або системою обігріву.

З'єднувальні контакти зарядного пристрою та знімної акумуляторної батареї повинні бути чистими.

Для забезпечення оптимального строку експлуатації акумуляторні батареї після використання необхідно повністю зарядити.

Для забезпечення максимального можливого терміну експлуатації акумуляторні батареї після зарядки необхідно виймати з зарядного пристрою.

При зберіганні акумуляторної батареї понад 30 днів:

Зберігати акумуляторну батарею при температурі приблизно 27 °C в сухому місці.

Зберігати акумуляторну батарею в стані зарядки приблизно 30-50 %.

Кожні 6 місяців заново заряджати акумуляторну батарею.

В гніздо зарядного пристрою, яке призначене для встановлення знімної акумуляторної батареї, не повинні потрапляти металеві деталі (небезпека короткого замикання).

ЗАХИСТ АКУМУЛЯТОРНОЇ БАТАРЕЇ ВІД ПЕРЕВАНТАЖЕННЯ

При перевантаженні акумуляторної батареї внаслідок занадто великого споживання струму, наприклад, при занадто високому крутильному моменту, заклинованні свердла, раптової зупинці або короткому замкненню, електроінструмент подає сигнал на протязі 2 секунд та самостійно вимикається.

ТРАНСПОРТУВАННЯ ЛІТІЙ-ІОННИХ АКУМУЛЯТОРНИХ БАТАРЕЙ

Літій-іонні акумуляторні батареї підпадають під законоположення про перевезення небезпечних вантажів.

Транспортування таких акумуляторних батарей повинно відбуватися із дотриманням місцевих, національних та міжнародних приписів та положень.

споживачі можуть без проблем транспортувати ці акумуляторні батареї по вулиці.

Комерційне транспортування літій-іонних акумуляторних батарей експедиторськими компаніями підпадає під положення про транспортування небезпечних вантажів. Підготовку до відправлення та транспортування можуть здійснювати виключно особи, які пройшли відповідне навчання. Весь процес повинні контролювати кваліфіковані фахівці.

При транспортуванні акумуляторних батарей необхідно дотримуватись зазначених далі пунктів:

Переконайтеся в тому, що контакти захищені та ізольовані, щоб запобігти короткому замиканню. Слідкуйте за тим, щоб акумуляторна батарея не переміщувалася всередині упаковок. Пошкоджені акумуляторні батареї, або акумуляторні батареї, що потекли, не можна транспортувати. Для отримання подальших вказівок звертайтеся до своєї експедиторської компанії.

СЕРТИФІКАТ ВІДПОВІДНОСТІ ВИМОГАМ ЄС

Ми заявляємо на власну відповідальність, що виріб, описаний в „Технічних даних“, відповідає всім застосовним положенням директиви

2011/65/EU (RoHS)

2006/42/EC

2014/53/EU

та наступним гармонізованим нормативним документам:

EN 62841-1:2015

EN 62841-2-9:2015

EN 55014-1:2017+A11:2020

EN 55014-2:2015

EN 301 489-1 V2.2.3

EN 301 489-17 V3.1.1

EN 300 328 V2.2.2

EN 62479:2010

EN IEC 63000:2018



Winnenden, 2020-11-09

Alexander Krug / Managing Director

Уповноважений із складання технічної документації.

Techtronic Industries GmbH

Max-Eyth-Strasse 10, 71364 Winnenden, Germany

СИМВОЛИ



УВАГА! ПОПЕРЕДЖЕННЯ! НЕБЕЗПЕЧНО!



Перед будь-якими роботами на приладі виийняти змінну акумуляторну батарею.



Тримайте руки на безпечній відстані від рухомих деталей.



Уважно прочитайте інструкцію з експлуатації перед введенням приладу в дію.



Під час роботи з машиною завжди носити захисні окуляри.



Завжди використовуйте опорний важіль.



Завжди носіть шкіряні рукавички.



Пристрій використовує кнопковий/плаский круглий літєвий акумулятор.



Напруга



Постійний струм



Електроприлади, батареї/акумулятори заборонено утилізувати разом з побутовим сміттям. Електричні прилади і акумулятори слід збирати окремо і здавати в спеціалізовану компанію для утилізації відповідно до норм охорони довкілля. Зверніться до місцевих органів або до вашого дилера, щоб отримати адреси пунктів вторинної переробки та пунктів прийому.



Європейський знак відповідності



Британський знак відповідності



Український знак відповідності



Євроазіатський знак відповідності



تنبيه! تحذير! خطر!



انزع البطارية قبل التعامل مع الجهاز.



أبعد يديك عن الأجزاء المتحركة.



يرجى قراءة التعليمات بعناية قبل بدء تشغيل الجهاز.



ارتد دائماً نظارات الوقاية عند استخدام الجهاز.



استخدم دائماً ذراع التدعيم.



ارتدي دائماً قفازات من الجلد.



يحتوي هذا الجهاز على بطارية من خلايا الليثيوم على شكل عملة معدنية/أزرار.



الجهد الكهربى V

التيار المستمر



يحظر التخلص من الأجهزة الكهربائية والبطاريات/البطاريات القابلة للشحن في القمامة المنزلية. يجب جمع الأجهزة الكهربائية والبطاريات القابلة للشحن منفصلة وتسليمها للتخلص منها بشكل لا يضر بالبيئة لدى شركة إعادة استغلال. الرجاء الاستفسار لدى الهيئات المحلية أو لدى التجار المتخصصين عن مواقع إعادة الاستغلال ومواقع الجمع.



علامة التوافق الأوروبية



علامة التوافق البريطانية



علامة التوافق الأوكرانية



علامة التوافق الأوروبية الأسيوية



Ara

نعلن تحت مسؤوليتنا وحدنا أن المنتج المعين تحت اسم
„البيانات الفنية“ يستوفي جميع الأحكام ذات الصلة ضمن
التوجيهات

2011/65/EU (RoHS)

2006/42/EG

2014/53/ EU

والمعايير المتسقة التالية

EN 62841-1:2015

EN 62841-2-9:2015

EN 55014-1:2017+A11:2020

EN 55014-2:2015

EN 301 489-1 V2.2.3

EN 301 489-17 V3.1.1

EN 300 328 V2.2.2

EN 62479:2010

EN IEC 63000:2018



Winnenden, 2020-11-09

Alexander Krug / Managing Director
معمدة للمطابقة مع الملف الفني

Techtronic Industries GmbH
Max-Eyth-Straße 10, 71364 Winnenden,
Germany

لمعرفة المزيد حول عمل خاصية „المفتاح الواحد“ المزود بها
هذا الجهاز، اقرأ الدليل المختصر المرفق أو تفضل بزيارة
موقع الإنترنت

<http://www.milwaukeeetool.com/one-key>

يمكنك تحميل تطبيق „المفتاح الواحد“ عن طريق App
Store أو Google Play على هاتفك الذكي.

نتائج الفحص تليي أقل متطلباتنا تبعاً للمعايير
EN 301 489-1 / EN 301 489-17. وسنقدم إرشادات
التشغيل للتعديل في دليل المستخدم.

البطاريات

يجب إعادة شحن البطارية غير المستخدمة لفترة قبل
الاستخدام.

تقلل درجات الحرارة التي تتجاوز 50° سيلزيوس
(122° فهرنهايت) من أداء البطارية. تجنب التعرض الزائد
للحرارة أو أشعة الشمس (خطر التسخين)..

يجب الحفاظ على محتويات الشواحن و البطاريات نظيفة.
للحصول على فترة استخدام مثالية، يجب شحن البطاريات
تماماً، بعد الاستخدام.

للحصول على أطول عمر ممكن للبطارية، انزع البطارية من
الشاحن بمجرد شحنها تماماً.

لتخزين البطارية أكثر من 30 يوم:

خزن البطارية بحيث تكون درجة الحرارة أقل من 27°
سيلزيوس وبعيداً عن أي رطوبة

خزن البطارية مشحونة بنسبة تتراوح بين 50% - 30
اشحن البطارية كالمعتاد، وذلك كل ستة أشهر من التخزين.

يجب تجنب دخول أي أجزاء معدنية في قسم البطارية الخاصة
بالشاحن (خطر الماس الكهربائي)..

حماية البطارية

في المواقف التي يكون فيها عزم الدوران عالٍ بشدة، وإعاقة
الحركة والتباطؤ والقصور في الدائرة الكهربائية الذي ينتج عنه
سحب لعدد كبير من التيار الكهربائي، ستتهز الآلة لمدة 2 ثانية
ثم تتوقف عن العمل.

نقل بطاريات الليثيوم

تخضع بطاريات الليثيوم أيون لشروط قوانين نقل السلع
الخطرة.

ويجب نقل هذه البطاريات وفقاً للأحكام والقوانين المحلية
والوطنية والدولية.

يمكن للمستخدم نقل البطاريات برأ دون الخضوع لشروط
أخرى.

يخضع النقل التجاري لبطاريات الليثيوم أيون عن طريق
الغبر إلى قوانين نقل السلع الخطرة. يتعين أن يقوم أفراد
مدربون جيداً بالإعداد لعملية النقل والقيام بها بصحبة خبراء
مثلهم.

متى تُنقل البطاريات:

عند التأكد من حماية أطراف توصيل البطارية وعزلها تجنباً
لحدوث قصر بالدائرة. عند التأكد من حماية حزمة البطارية
من الحركة داخل صندوق التعبئة. يُرجى عدم نقل البطاريات
التي بها تشققات أو تسربات. يُرجى البحث مع شركة الشحن
عن نصيحة أخرى



1. أزل حزمة البطارية.
2. قم بتجميع حوامل لقم اللولبية/المهاتبات كما هو موضح
3. تحقق دائماً من تأمين قفل حامل لكمة اللولبية في الأداة قبل البدء في القطع.
4. لغرض الفك، حرر حلقة تأمين حامل لكمة اللولبية واجذب حامل لكمة اللولبية لإخراجه من الأداة.

فحص سنون اللولبية/استخدام مقياس حلقي

1. امسح أي زيت أو رقائق أو برادة ناجمة عن اللولبية.
2. افحص اللولبية. يجب أن تكون سنون اللولبية ناعمة وكاملة وجيدة الشكل. وإذا شوهدت أية تشوهات مثل تمزق اللولبية، أو سنون اللولبية الرفيعة، أو اختلال في استدارة الأنابيب، فقد لا يتم إحكام اللولبية.
3. لفحص مقياس اللولبية باستخدام مقياس حلقي، اربط المقياس على الأنابيب وأحكام ربطه يدوياً. ويجب أن تكون نهاية الأنابيب متحاذية مع جانب المقياس (زائد أو ناقص لفة واحدة). إذا لم يكن قياس اللولبية صحيحاً، فاقطع اللولبية، واضبط حامل لكمة اللولبية، واقطع سنون لولبية أخرى. **تحذير!** استخدام لولبة ذات قياس غير صحيح قد يتسبب في حدوث تسريبات.

التشغيل

مقاومة قوى اللولبية

استخدم دائماً تجهيزة التدعيم الموردة مع الأداة. حيث يثبت ذراع التدعيم بالأنبوب ويساعد في مقاومة قوى اللولبية. **تحذير!** فقدان السيطرة على الأداة أثناء التشغيل يمكن أن يؤدي إلى حدوث إصابات جسيمة.

اختيار السرعة

يوجد محدد السرعة أعلى جسم الجهاز. دع الأداة تتوقف تماماً قبل تغيير السرعات.

استخدام مفتاح التحكم

يمكن ضبط مفتاح التحكم على ثلاثة أوضاع: في اتجاه عقارب الساعة، وعكس اتجاه عقارب الساعة، وتأمين القفل. احرص دائماً على ترك المحرك يتوقف تماماً قبل استخدام مفتاح التحكم.

للدوران في اتجاه عقارب الساعة، اضغط على مفتاح التحكم من الجانب الأيسر للأداة. تحقق من اتجاه الدوران قبل الاستخدام. ينتج عن هذا الدوران لولبية يمينى عند إدخال لكمة اللولبية من الجانب الأيسر (الأمامي) للأداة.

للدوران عكس اتجاه عقارب الساعة، اضغط على مفتاح التحكم من الجانب الأيمن للأداة. تحقق من اتجاه الدوران قبل الاستخدام. ينتج عن هذا الدوران لولبية يسارية عند إدخال لكمة اللولبية من الجانب الأيمن (الخلفي) للأداة.

احرص دائماً على تأمين قفل المشغل أو إزالة حزمة البطارية قبل إجراء الصيانة وتغيير الملحقات وتخزين الأداة وفي أي وقت لا تكون فيه الأداة قيد الاستخدام.

اللولبية

تحضير الأنبوب بشكل صحيح. تأكد من قطع الأنبوب بإتقان وبلا شذرات. حيث يمكن أن يؤدي قطع الأنابيب بزواوية إلى إتلاف لقم اللولبية أثناء عمل اللولبية ويمكن أن يتسبب في صعوبة تشييق حامل لكمة اللولبية. ويجب أن يكون الأنبوب مستقيماً ومؤمناً لمنع الانقلاب أثناء الاستخدام. استخدم حوامل الأنابيب المناسبة لتدعيم طول الأنبوب.

تحذير! تجنب ارتداء مجوهرات أو ملابس فضفاضة أو استخدام قطعة قماش أثناء التشغيل. وتجنب ارتداء القفازات المعرضة للتمزق أثناء الضغط على الأجزاء المتحركة أو بالقرب منها؛ فهذا يزيد من خطر التشابك والإصابة. وبمجرد تشييق لقم اللولبية مع الأنبوب، سيتم قطع سنون اللولبية أثناء سحب لقم اللولبية نفسها إلى نهاية الأنبوب.

تحذير! امسك الأداة دائماً بإحكام لمقاومة قوى الأداة. فقد تتعرض تجهيزات التدعيم، في حالات نادرة، للانزلاق ومن ثم تسمح للأداة بالحرك.

استخدم مزيتة لوضع كمية وفيرة من زيت قطع سنون اللولبية على المنطقة الممنعية. وسبويدي ذلك إلى خفض عزم اللولبية الضروري، وتحسين جودة اللولبية، وزيادة عمر لكمة اللولبية.

تحذير! قد تكون القطعيات حادة. قم بتنظيف أي انسكابات زيت للحفاظ على بيئة عمل آمنة.

الصيانة

انزع البطارية قبل التعامل مع الجهاز.

لا تفتح مطلقاً ماكينة لولبة الأنابيب أو البطارية القابلة للشحن أو الشاحن.

افحص ماكينة لولبة الأنابيب بحثاً عن أية مشكلات مثل أصوات الضجيج أو انحصار الأجزاء المتحركة والتي قد تؤثر على الأداة.

تحقق من أدوات القطع للتأكد من عدم وجود شقوق وأية علامات أخرى للتآكل.

نظّف الغبار والفئات من الفتحات. حافظ على نظافة المقبض، وجفاهة، وعدم احتوائه على زيت أو شحم. استخدم الصابون المعتدل فقط وقطعة من القماش الرطب للتنظيف، حيث تنتسبب بعض المنظفات والمذيبات في الأضرار بالأجزاء البلاستيكية والأجزاء المعزولة الأخرى. حيث يحتوي بعضها على الجازولين، والتريبندين، ومخفف طلاء اللك، ومخفف الطلاء، ومذيبات التنظيف التي تحتوي على الكلور، والأمونيا، والمنظفات المنزلية التي تحتوي على الأمونيا. لا تستخدم المذيبات القابلة للاشتعال بالقرب من الأدوات.

تحقق من أن لقم اللولبية حادة وحرص على تغيير لقم اللولبية المتآكلة دائماً كمجموعة متكاملة.

استبدل الاسطمبات عندما تصبح متكسرة أو تالفة.

احرص دائماً على تغيير لقم اللولبية كمجموعة متكاملة.

لتجنب الإصابة والتلف لا تغمر الأداة أو البطارية القابلة للإزالة أو الشاحن في سائل أو تسمح للسائل باختراقها.

يجب أن تكون فتحات تهوية الجهاز نظيفة طوال الوقت.

أعمال الصيانة والإصلاح الأخرى يجب ألا تتم إلا بمعرفة ورش فنية متخصصة.

استخدم فقط ملحقات ميلوكي وكذلك قطع غبار ميلوكي. إذا كانت المكونات التي يجب تغييرها غير مذكورة، يرجى الاتصال بأحد عملاء صيانة ميلوكي (انظر قائمة عناوين الضمان/الصيانة الخاصة بنا).

عند الحاجة يمكن طلب رمز انفجار الجهاز بعد ذكر طراز الألة والرقم السداسي المذكور على بطاقة طاقة الآلة لدى جهة خدمة العملاء أو مباشرة لدى شركة

Techtronic Industries GmbH
Max-Eyth-Straße 10
71364 Winnenden
، ألمانيا

- عند لولبية أو تدعيم رأس الأنبوب، أمسك الأداة بإحكام لمقاومة القوى فضلاً عن تجهيزه التدعيم المستخدمة. وسوف يقلل ذلك من خطر الاصطدام والسحق والإصابات الأخرى.
- لا تستخدم لقم اللولبية التي تظهر عليها علامات التآكل أو التلثة أو التالفة. فإدوات القطع الحادة تتطلب عزم دوران أقل كما يمكن التحكم في الأداة بمزيد من السهولة.

• استخدم فقط:

• Rems Quick change 1/8" ... 2" (مع حلقات مهابئة)

• Rothenberger حوامل لقم اللولبية 2" ... 1/4" (مع حلقات مهابئة)

• Ridgid 11-R 1/4" ... 2" (مع حلقات مهابئة)
Ridgid 12-R •

• لا تُخزن حوامل لقم اللولبية في الأداة لمنع تآكل المعدن على المعدن.

• استخدم حُكمك السليم على الأمور دائماً وتوخ الحذر عند استخدام الأدوات. لا يمكن التنبيه بكل موقف قد يؤدي إلى نتيجة خطيرة. لا تستخدم هذه الأداة إذا لم تفهم إرشادات التشغيل تلك أو كنت تشعر أن العمل أكبر من قدراتك؛ تواصل مع Milwaukee Tool أو مع محترف مُدرّب للحصول على المزيد من المعلومات أو التدريب.

• يحظر نزع لافتة الطراز والبطاقة الملصقة. هذه البطاقات تتضمن معلومات هامة. إذا أصبحت هذه البطاقات غير مقروءة أو غير متوافرة يرجى التوجه إلى خدمة العملاء بشركة MILWAUKEE للحصول على بديل مجاني.

⚠ تحذير

يحتوي بعض الغبار الذي يصنعه الترميل الألي، والنشر، والتجليخ، والحفر، وأعمال الإنشاء الأخرى على مواد كيميائية من المعروف أنها تسبب السرطان، أو تشوهات الولادة، أو الأضرار الإنجابية الأخرى. من الأمثلة على تلك المواد الكيميائية:

- الرصاص الناتج عن الطلاء المصنوع من الرصاص
 - السيليكا البلورية الناتجة عن القرميد والأسمنت ومنتجات البناء الأخرى
 - الزرنيخ والكروم الناتجين عن الخشب المعالج كيميائياً.
- وبتراوح نطاق الخطر الذي تتعرض له جزءاً التّعرض لتلك المواد، وفقاً لمدى تكرارية قيامك بهذا النوع من العمل لتقليل التّعرض لتلك المواد الكيميائية: اعمل في منطقة ذات تهوية جيدة، واملع معدات سلامة معتمدة، مثل أقنعة الغبار المُصممة خصيصاً لفلتره الجزيئات المجهرية.

شروط الاستخدام المحددة

هذه الأداة مخصصة لقطع سنون لولبية الأنابيب وسنون لولبية البراغي لعمل سنون لولبية يمتد حتى مقاس 2 بوصة. وتُحظر الاستخدامات الأخرى غير المخصصة للغرض المقرر.

التجميع

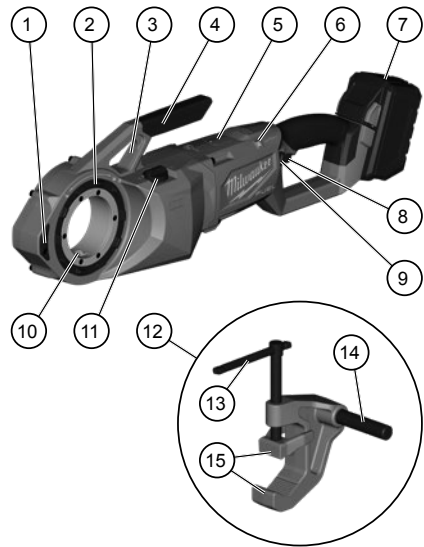
⚠ تحذير

• لا تستخدم إلا الملحقات الموصى بها خصيصاً لهذه الأداة. فالملحقات الأخرى قد تكون خطيرة.

تركيب / فك حوامل لقم اللولبية

يمكن إدخال حامل لقم اللولبية من أي من جانبي الأداة.

يجب إدخال حامل لقم اللولبية/المهابي من الجانب الصحيح للأداة.



وصف الجهاز

- | | | | |
|---|-------------------------------|---|--------------------|
| ① | مقبض جانبي | ⑧ | الزناد |
| ② | حلقة تأمين حامل لقمه اللولبية | ⑨ | مفتاح التحكم |
| ③ | موضع تثبيت ذراع التدعيم | ⑩ | انتقال عزم الدوران |
| ④ | مقبض الحمل | ⑪ | محدد السرعة |
| ⑤ | بطارية داخلية | ⑫ | قامطة التدعيم |
| ⑥ | مؤشر مفتاح واحد | ⑬ | ذراع إحكام الربط |
| ⑦ | حزمة البطاريات | ⑭ | ذراع التدعيم |
| | | ⑮ | زراريات |

⚠ تحذير

اقرأ جميع تعليمات السلامة والإرشادات والشروح والبيانات المرفقة مع الجهاز. قد يؤدي عدم مراعاة التعليمات المدرجة أدناه إلى التّعرض للإصابة بصدمة كهربائية أو الحريق أو إصابة خطيرة.

احتفظ بجميع التنبيهات والتعليمات للرجوع إليها مستقبلاً.

⚠ إرشادات السلامة لماكينات لولبية الأنابيب

- (a) استخدم دائماً تجهيزه التدعيم الموردة مع الأداة. إذا كان فقدان السيطرة على الأداة أثناء التشغيل يمكن أن يؤدي إلى حدوث إصابات جسدية.
- (b) احرص دائماً على غلق أزرار الأكام والسّترات أثناء تشغيل الأداة. ولا تمد يدك عبر الأداة أو الأنبوب. حيث يمكن أن تُعلق الملابس بالأنبوب أو الأداة مما يؤدي إلى حدوث تشابك.

(c) يجب أن يتحكم شخص واحد فقط في سير العمل وتشغيل الأداة. حيث قد يؤدي الأشخاص الإضافيون المشاركون في العملية إلى إطلاق أي عملية تشغيل دون قصد وحدوث إصابات جسدية.

(d) حافظ على الأرضيات في حالة جافة وخالية من المواد الزلقة مثل الزيت؛ فالأرضيات الزلقة تتسبب في وقوع حوادث.

إرشادات أمان وعمل إضافية

M18 FPT2	البيانات الفنية ماكينة لولبة الأنابيب
4773 51 01 000001-999999	إنتاج عدد
2402 - 2480 MHz	نطاق تردد البلوتوث (نطاقات التردد)
1,8 dBm	أقصى قدرة للتردد العالي
4.0 BT signal mode	إصدار - البلوتوث
Li-Ion	تكنولوجيا المرحم
18 V	فولطية البطارية
0 min-1 ... 29 min-1 0 min-1 ... 41 min-1	الحد الأقصى للسرعة المقدرة السرعة 1 السرعة 2
1 1/2" ... 2" 32 mm ... 50 mm 1/8" ... 1 1/4" 3 mm ... 30 mm	القدرة السرعة 1 السرعة 2
Ridgid 12-R	حوامل لقم اللولبية
10,54 kg ... 11,60 kg	الوزن وفقاً لنهج EPTA رقم 01/2014 (Li-Ion 2.0 Ah ... 12.0 Ah)
-18 °C ... +50 °C	درجة حرارة البيئة المحيطة المنصوح بها من أجل التشغيل
M18B... min. 6.0 Ah M18HB...	البطاريات المنصوح بها
M12-18..., M1418C6	جهاز الشحن المنصوح به
معلومات الضوضاء القيم التي تم قياسها محددة وفقاً للمعايير الأوروبية EN 62841 مستويات ضوضاء الجهاز، ترجيحاً بشكل نموذجي كالتالي:	
74,2 dB(A) 85,2 dB(A)	مستوى ضغط الصوت (الارتباب في القياس = 3 ديسيبل (أ)) مستوى شدة الصوت (الارتباب في القياس = 3 ديسيبل (أ)) ارتد واقيات الأذن!
معلومات الاهتزاز قيم الذبذبات الإجمالي (مجموع الكميات الموجية في المحاور الثلاثة) محددة وفقاً للمعايير الأوروبية EN 62841.	
1,6 m/s ² 1,5 m/s ²	قيمة انبعاث الذبذبات a_{hmax} الارتباب في القياس

تحذير!

تم قياس مستوى الاهتزاز وانبعاث الضوضاء الوارد في ورقة المعلومات هذه، وفقاً لاختبار قياسي محدد في المواصفة EN 62841، ويمكن استخدامه لمقارنة آلة مع أخرى. كما يمكن استخدام ذلك أيضاً في إجراء تقييم أولي للتعرض. يمثل مستوى الاهتزاز وانبعاث الضوضاء المعلن عنه الاستخدامات الأساسية للآلة. ومع ذلك، إذا استعملت الآلة في استخدامات مختلفة، أو بملحقات مختلفة، أو تم صيانتها على نحو سيئ، فقد يختلف مستوى الاهتزاز وانبعاث الضوضاء. وهذا قد يزيد إلى حد كبير - من مستوى التعرض خلال مدة العمل الإجمالية.

عند تقييم مستوى التعرض للاهتزاز والضوضاء، ينبغي أيضاً أن يوضع في الاعتبار فترات إطفاء الآلة أو تشغيلها دون أن تقوم بأي وظيفة فعلياً. فهذا قد يقلل - إلى حد كبير - من مستوى التعرض خلال مدة العمل الإجمالية.

تعرف على تدابير السلامة الإضافية؛ لحماية المشغل من تأثيرات الاهتزاز أو الضوضاء أو كليهما، مثل: صيانة الآلة وملحقاتها، والحفاظ على دفء اليدين، وتنظيم نماذج العمل.

ارتد واقيات الأذن. ارتد قد يسبب التعرض للضوضاء إلى فقدان السمع.

Copyright 2021
Techtronic Industries GmbH
Max-Eyth-Straße 10
71364 Winnenden
Germany
+49 (0) 7195-12-0
www.milwaukeeetool.eu

Techtronic Industries (UK) Ltd
Fieldhouse Lane
Marlow Bucks SL7 1HZ
UK



**EAC UK
CA**

(02.21)

4931 4258 87