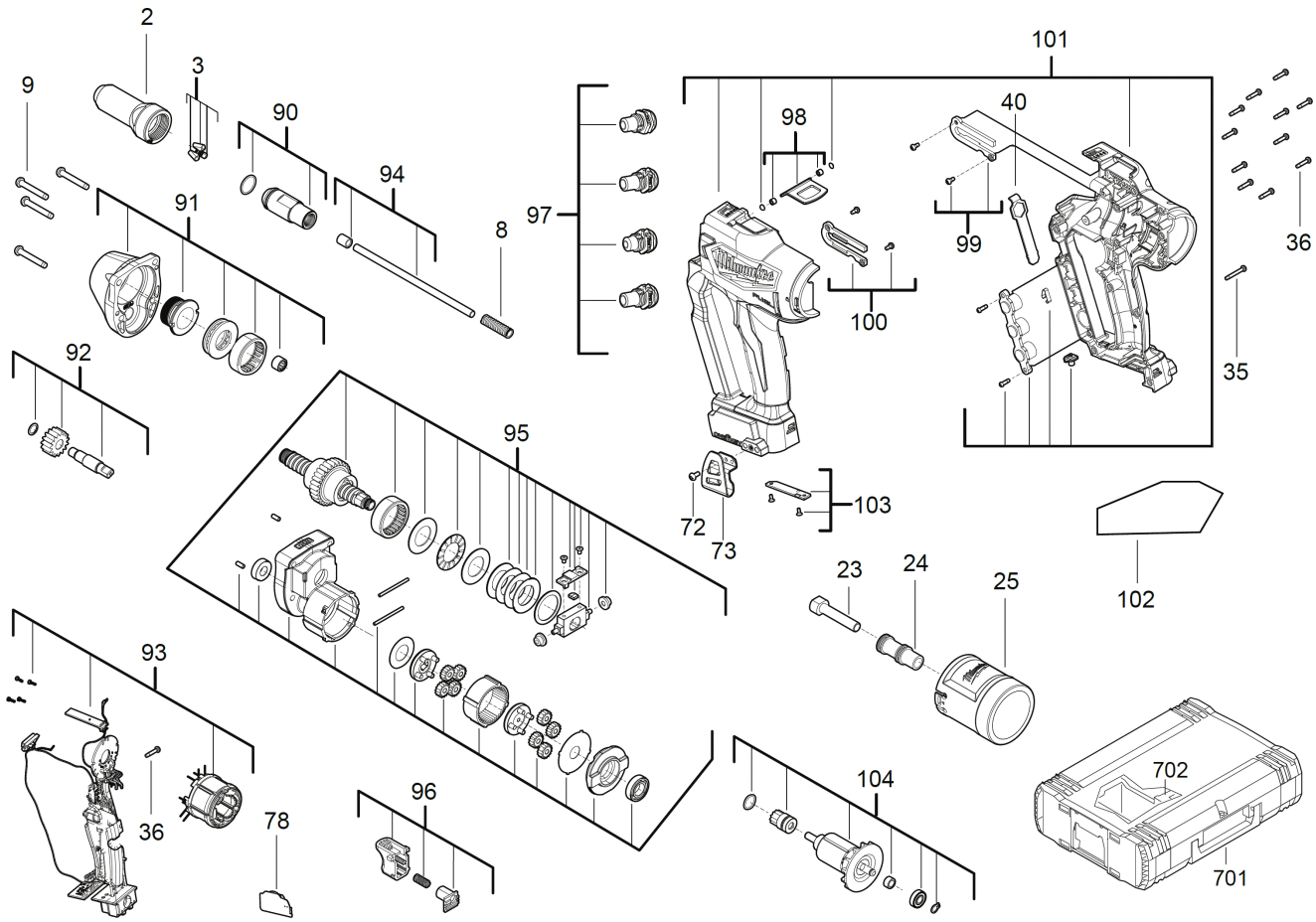


# M18ONEFPRT-202X RIVET TOOL IN2

4933478602 - M18ONEFPRT-202X - 4000483105





Position	Quantity	Description	Part number	EAN
0002	1	SLEEVE	4931479221	4058546367893
0003	1	JAW	4931494033	4058546429140
0008	1	SPRING	4931479223	4058546367916
0009	4	SCREW	4931435158	4002395860722
0023	1	GUIDE	4931479224	4058546367923
0024	1	GUIDE SLEEVE	4931479225	4058546367930
0025	1	CUP	4931479226	4058546367947
0035	1	SCREW	4931466865	4058546280826
0036	12	SCREW	660570005	4002395827329
0040	1	WRENCH	4931479227	4058546367954
0072	1	SCREW	4931465986	4058546272036
0073	1	HOOK	4931436134	4002395879427
0078	1	ELECTRONIC	4931479063	4058546366315
0090	1	SLEEVE	4931479228	4058546367961
0091	1	GEAR CASE	4931479229	4058546367978
0092	1	OUTPUT SHAFT KIT	4931479230	4058546367985
0093	1	ELECTRONIC	4931479231	4058546385460
0094	1	PLUNGER RODS	4931479232	4058546385477
0095	1	GEAR BOX ASSY	4931479233	4058546385484
0096	1	SWITCH	4931479234	4058546385491
0097	1	M18 Fuel Rivet Tool Retention Nose SET	4932478961	4058546362430
0098	1	SUSPENSION BOW	4931479235	4058546385507
0099	1	LOCKING PIECE	4931479236	4058546385514
0100	1	LOCKING PIECE	4931479237	4058546385521
0101	1	HOUSING	4931479238	4058546385538
0102	1	RATING PLATE	4931479239	4058546385545
0103	1	COVER	4931479240	4058546385552
0104	1	ROTOR	4931479241	4058546385569
0701	1	HD Box 1 - 1pc	4932453385	4002395146376
0702	1	INSERT	4931479242	4058546385576