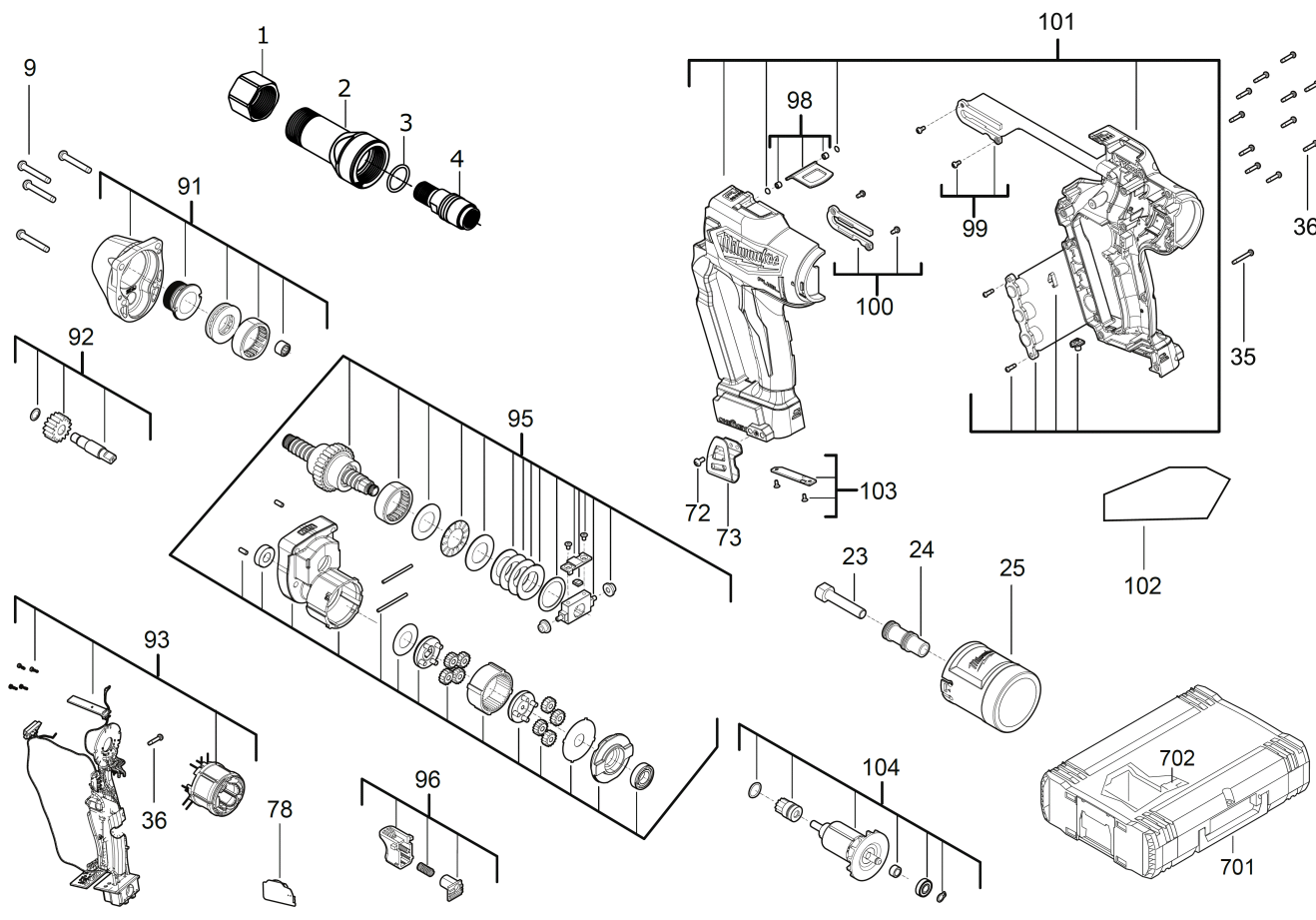


# **M18ONEFLT-502X LOCKBOLT TOOL IN2**

**4933478638 - M18ONEFLT-202X - 4000483945**



Position	Quantity	Description	Part number	EAN
0001	1	NUT	4931480239	4058546422547
0002	1	GUIDE SLEEVE	4931480240	4058546422554
0003	1	O-RING	4931480241	4058546422561
0004	1	SLEEVE	4931480242	4058546422578
0009	4	SCREW	4931435158	4002395860722
0023	1	GUIDE	4931479224	4058546367923
0024	1	GUIDE SLEEVE	4931479225	4058546367930
0025	1	CUP	4931494030	4058546429119
0035	1	SCREW	4931466865	4058546280826
0036	12	SCREW	660570005	4002395827329
0072	1	SCREW	4931465986	4058546272036
0073	1	HOOK	4931436134	4002395879427
0078	1	ELECTRONIC	4931479063	4058546366315
0091	1	GEAR CASE	4931479229	4058546367978
0092	1	OUTPUT SHAFT KIT	4931479230	4058546367985
0093	1	ELECTRONIC	4931479231	4058546385460
0095	1	GEAR BOX ASSY	4931479233	4058546385484
0096	1	SWITCH	4931479234	4058546385491
0098	1	SUSPENSION BOW	4931479235	4058546385507
0099	1	LOCKING PIECE	4931479236	4058546385514
0100	1	LOCKING PIECE	4931479237	4058546385521
0101	1	HOUSING	4931479238	4058546385538
0102	1	RATING PLATE	4931480243	4058546422585
0103	1	COVER	4931479240	4058546385552
0104	1	ROTOR	4931479241	4058546385569
0702	1	INSERT	4931479242	4058546385576
0701	1	HD Box 1 - 1pc	4932453385	4002395146376