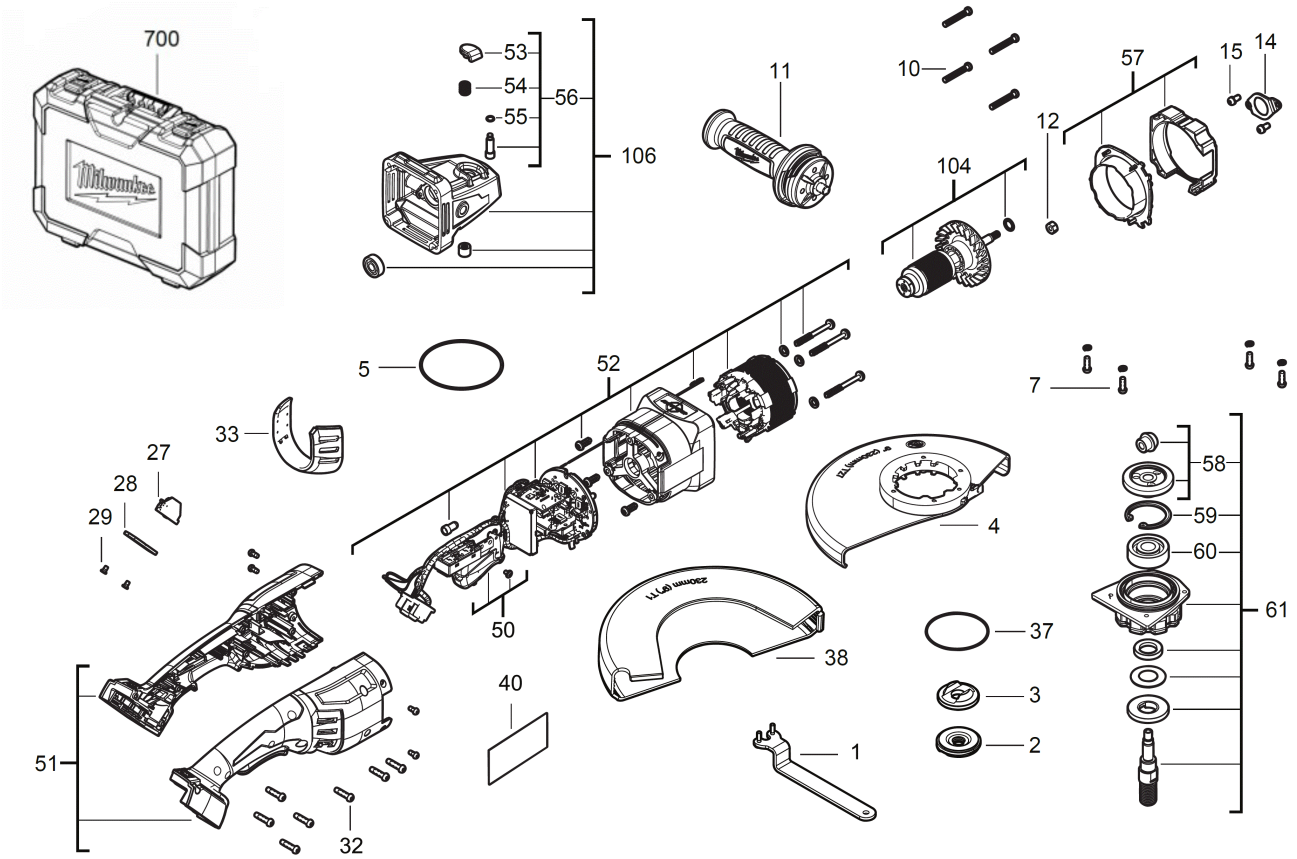


# M18ONEFLAG230XPDB-0 M18 FUEL A.GRIND XXX

4933478781 - M18ONEFLAG230XPDB-0 - 4000483568





Position	Quantity	Description	Part number	EAN
0001	1	WRENCH	4931466274	4058546274917
0002	1	FIXTEC NUT	4931480289	4058546423049
0003	1	FLANGE	4931465842	4058546239428
0004	1	GUARD	4931480290	4058546423056
0005	1	O-RING	4931465844	4058546239442
0007	4	SCREW	660414013	4002395823796
0010	4	SCREW	4931461254	4058546034269
0011	1	AUXILIARY HANDLE	4931435002	4002395855919
0012	1	NUT	671686001	4002395824526
0014	1	RETAINER	4931435039	4002395860364
0015	2	SCREW	4931465856	4058546239565
0027	1	CONTACT CASE	4931479415	4058546387303
0028	1	COVER	4931480291	4058546423063
0029	2	HOUSING	4931465365	4058546234652
0032	7	SCREW	4931453124	4002395152780
0033	1	DUST FILTER	4931465848	4058546239480
0037	1	O-RING	4931465849	4058546239497
0038	1	GUARD	4931480292	4058546423070
0040	1	RATING PLATE	4931480293	4058546423087
0050	1	SWITCH	4931480294	4058546423094
0051	1	HOUSING	4931480295	4058546423100
0052	1	ELECTRONIC	4931480296	4058546423117
0053	1	PUSH-BUTTON	4931452762	4002395169948
0054	1	SPRING	4931435005	4002395855940
0055	1	O-RING	4931435006	4002395855957
0056	1	SPINDLE LOCK	4931480297	4058546423124
0057	1	AIR DEFLECTOR RING	4931480298	4058546423131
0058	1	BEVEL GEAR PAIR	4931480299	4058546423148
0059	1	CLAMPING RING	4931465851	4058546239510
0060	1	BALL BEARING	4931465850	4058546239503
0061	1	SPINDLE KIT	4931480300	4058546423155
0104	1	ROTOR	4931480301	4058546423162
0106	1	GEAR COVER	4931480302	4058546423179
0700	1	CARRYING CASE	4931480303	4058546423186