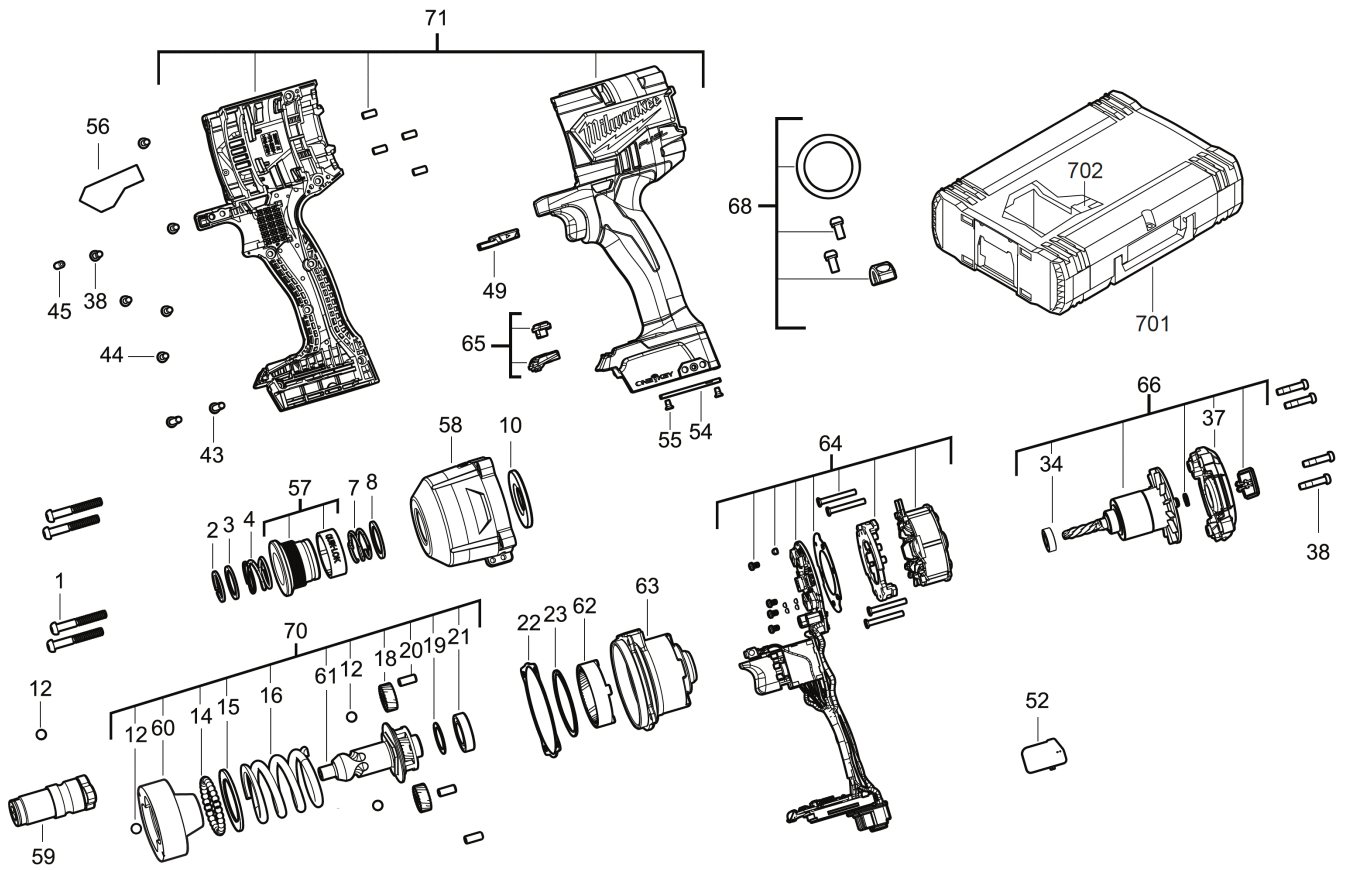


M18ONEFHIWH716-0X IMPACT WRENCH 7/16 XXX

4933479152 - M18ONEFHIWH716-0X - 4000481195





Position	Quantity	Description	Part number	EAN
0001	4	FEED SCREW	4931465519	4058546236199
0002	1	RETAINING RING	4931479732	4058546394950
0003	1	WASHER	4931479733	4058546394967
0004	1	SPRING	4931479734	4058546394974
0007	1	SPRING	4931479735	4058546394981
0008	1	WASHER	4931479736	4058546394998
0010	1	DISC	4931465517	4058546236175
0012	4	BALL	4931436148	4002395880935
0014	28	BALL	4931440453	4002395892020
0015	1	BEARING WASHER	4931465313	4058546234133
0016	1	SPRING	4931479737	4058546395001
0018	3	GEAR	4931479738	4058546395018
0019	1	WASHER	4931479739	4058546395025
0020	3	BOLT	4931454847	4058546020217
0021	1	BALL BEARING	4931479740	4058546395032
0022	1	GASKET	4931465318	4058546234188
0023	1	RETAINING RING	4931479741	4058546395049
0034	1	BEARING	680273003	4002395843305
0037	1	BEARING COVER	4931465323	4058546234232
0038	5	SCREW	4931465324	4058546234249
0043	2	SCREW	4931465325	4058546234256
0044	5	SCREW	4931465326	4058546234263
0045	1	PIN	5131000000	
0049	1	SWITCH LEVER	4931465328	4058546234287
0052	1	ELECTRONIC	4931479742	4058546395056
0054	1	COVER	4931465384	4058546234843
0055	2	SCREW	4931465385	4058546234850
0056	1	RATING PLATE	4931479743	4058546395063
0057	1	SLEEVE	4931479744	4058546395070
0058	1	GEAR CASE	4931479745	4058546395087
0059	1	ANVIL	4931479746	4058546395094
0060	1	HAMMER	4931479747	4058546395100
0061	1	CAM SHAFT	4931479748	4058546395117
0062	1	INTERN.GEARED WHEEL	4931479749	4058546395124
0063	1	GEAR CASE	4931479750	4058546395131
0064	1	ELECTRONIC	4931479751	4058546395148
0065	1	SLIDER	4931473336	4058546336387
0066	1	ROTOR	4931479752	4058546395155
0068	1	HOLDING RING	4931479753	4058546395162
0070	1	GEAR BOX ASSY	4931479754	4058546395179
0071	1	HOUSING	4931479755	4058546395186
0701	1	HD Box 1 - 1pc	4932453385	4002395146376
0702	1	INSERT	4931479756	4058546395193