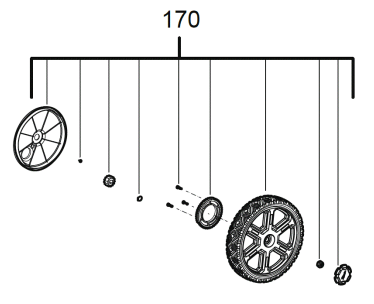
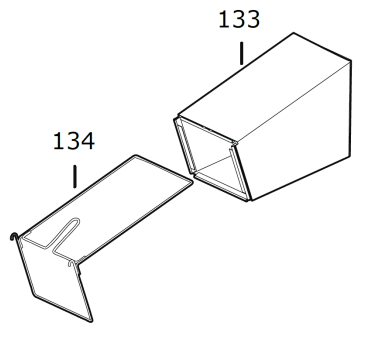
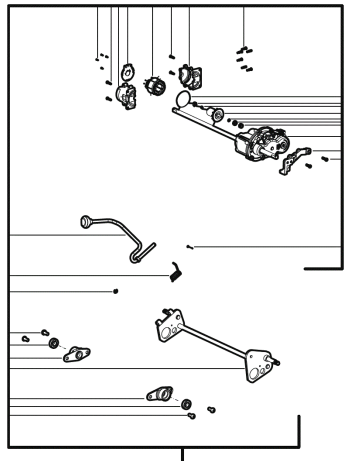
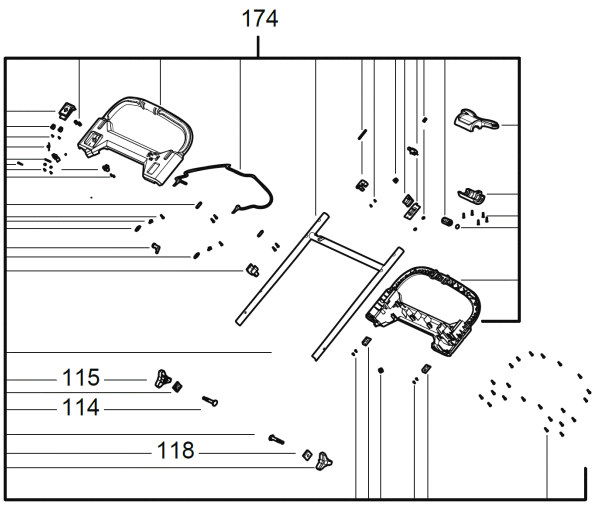
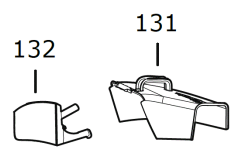
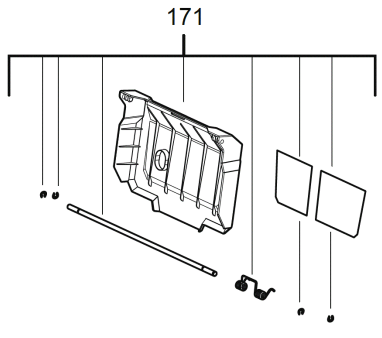
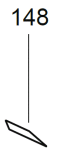
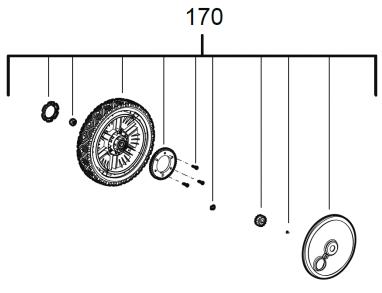
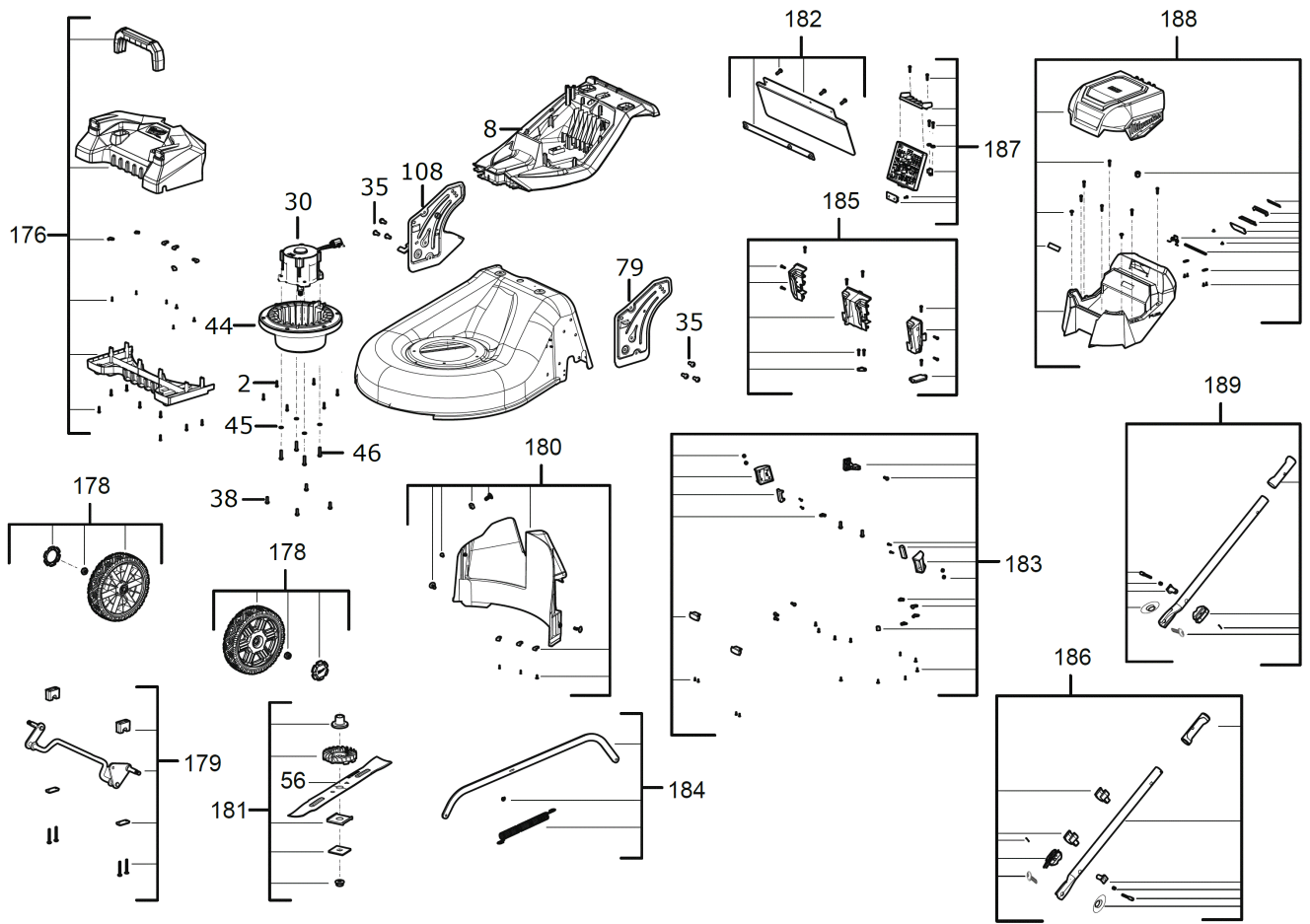


# M18F2LM53-122 SELF-PROP. LAWN MOWER IN2

4933479585 - M18F2LM53-122 - 4000497258







Position	Quantity	Description	Part number	EAN
0002	6	SCREW	4931479948	4058546397111
0008	1	HOUSING	4931494111	4058546429928
0030	1	MOTOR	4931494112	4058546429935
0035	6	SCREW	4931494113	4058546429942
0038	4	SCREW	4931494114	4058546429959
0044	1	MOTOR HOUSING	4931494115	4058546429966
0045	4	WASHER	4931480509	4058546425241
0046	4	SCREW	4931494116	4058546429973
0056	1	MOWER BLADE 21IN/ 53 CM	4932479818	4058546376123
0079	1	BRACKET	4931494117	4058546429980
0108	1	BRACKET	4931494118	4058546466909
0114	2	SCREW	4931480478	4058546424930
0115	2	KNOB HANDLE	4931480479	4058546424947
0118	2	HOLDING PLATE	4931480480	4058546424954
0131	1	DIRECT.DUST CHUTE	4931495374	4058546490423
0132	1	GUARD PLUG	4931495375	4058546490430
0133	1	GRASS-CATCHING BAG	4931495376	4058546490447
0134	1	FRAME	4931495377	4058546490454
0148	1	RATING PLATE	4931495437	4058546491055
0170	2	DRIVE WHEEL	4931480482	4058546424978
0171	1	COVER ASSY	4931480483	4058546424985
0174	1	HANDLE COMPL.	4931480486	4058546425012
0175	1	DRIVE MOTOR	4931480487	4058546425029
0176	1	HOUSING	4931480488	4058546425036
0178	2	WHEEL	4931480490	4058546425050
0179	1	AXLE	4931480491	4058546425067
0180	1	DEFLECTOR	4931480492	4058546425074
0181	1	CLAMPING SET	4931480493	4058546425081
0182	1	GUARD CAP SET	4931480494	4058546425098
0183	1	LED LIGHT	4931480495	4058546425104
0184	1	SUPPORT BRACKET	4931480496	4058546425111
0185	1	GUIDE RAIL	4931480497	4058546425128
0186	1	HANDLE RIGHT	4931480498	4058546425135
0187	1	ELECTRONIC	4931480499	4058546425142
0188	1	BATTERY BOX	4931495378	
0189	1	HANDLE LEFT	4931480501	4058546425166