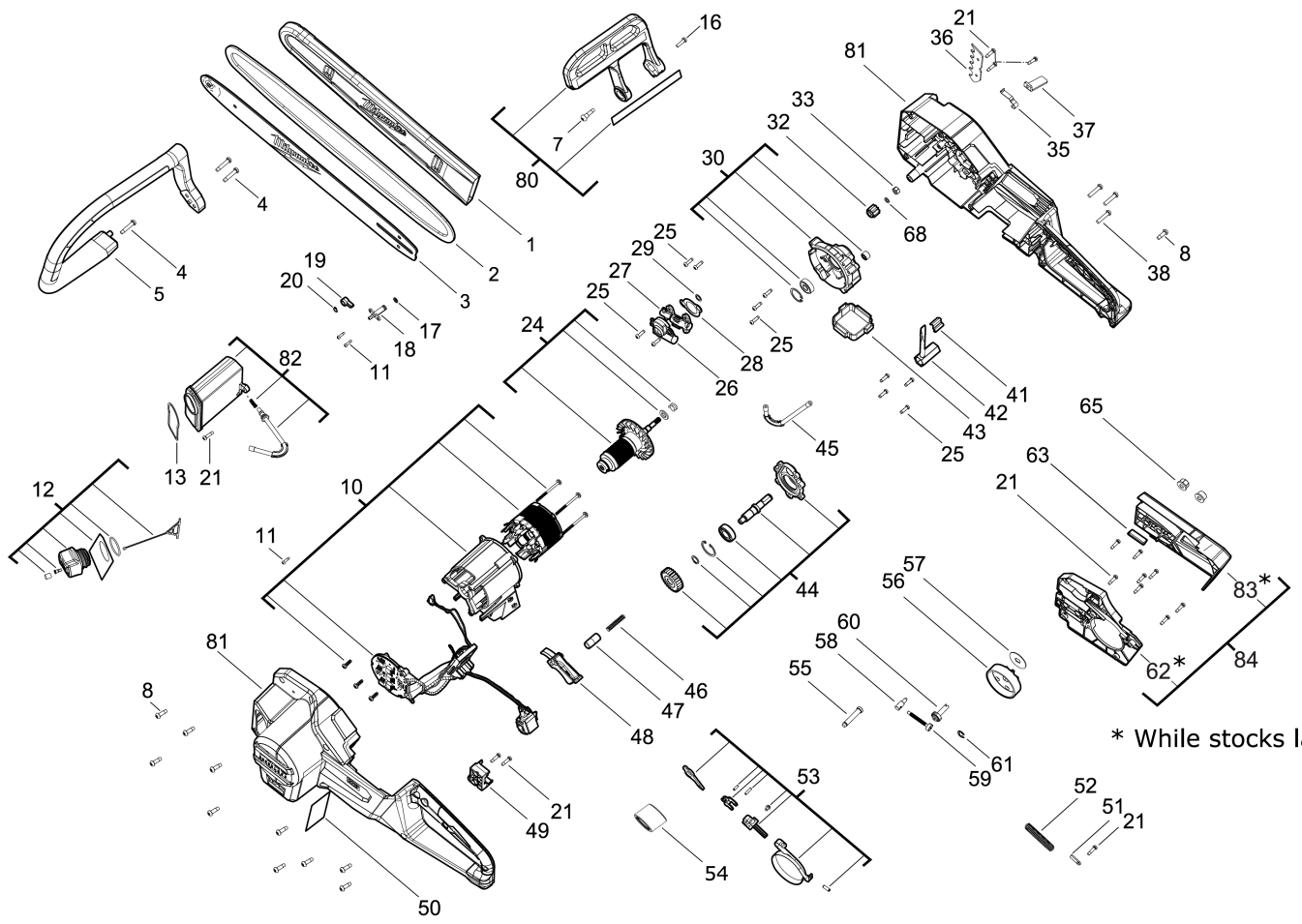


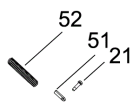
# M18FCHS35-122 FUEL CHAIN SAW 35CM IN2

4933479679 - M18FCHS35-122 - 4000491102





\* While stocks last



Position	Quantity	Description	Part number	EAN
0001	1	SCABBARDS	4931480244	4058546422592
0004	3	SCREW	4931454838	4058546020125
0005	1	HANDLE	4931465907	4058546240073
0007	1	SCREW	4931465908	4058546240080
0008	11	SCREW	4931465909	4058546240097
0010	1	ELECTRONIC	4931465910	4058546240103
0011	3	SCREW	4931436686	4002395258260
0012	1	CAP	4931480245	4058546422608
0013	1	SEAL RING	4931465912	4058546240127
0016	1	SCREW	4931465913	4058546240134
0017	1	O-RING	4931465914	4058546240141
0018	1	CONNECTOR	4931465915	4058546240158
0019	1	SWITCH	4931465916	4058546240165
0020	1	HOLDING RING	4931465917	4058546240172
0021	15	SCREW	660024030	4002395826957
0024	1	ROTOR	4931465918	4058546240189
0025	11	SCREW	4931435150	4002395859948
0026	1	DUST CAP	4931465919	4058546240196
0027	1	OIL PUMP	4931465920	4058546240202
0028	1	SEAL	4931465921	4058546240219
0029	1	WASHER	4931465922	4058546240226
0030	1	GEAR BOX	4931465923	4058546240233
0032	1	PINION	4931465924	4058546240240
0033	1	NUT	4931465925	4058546240257
0035	1	SPRING	4931465926	4058546240264
0036	1	WASHER	4931465927	4058546240271
0037	1	CORE LIFTER RING	4931465928	4058546240288
0038	3	SCREW	4931465929	4058546240295
0041	1	WRENCH	4931465930	4058546240301
0042	1	WRENCH	4931465931	4058546240318
0043	1	WIRE STRAP	4931465932	4058546240325
0044	1	GEAR BOX COVER	4931465933	4058546240332
0045	1	WIRE	4931465934	4058546240349
0046	1	SPRING	4931465935	4058546240356
0047	1	BUTTON	4931465936	4058546240363
0048	1	TRIGGER	4931465937	4058546240370
0049	1	SWITCH RETAINER	4931465938	4058546240387
0050	1	RATING PLATE	4931480246	4058546422615
0051	1	RETAINING PLATE	4931465940	4058546240400
0052	1	SPRING	4931465941	4058546240417
0053	1	STOP WASHER	4931465942	4058546240424
0054	1	BUSH	4931465943	4058546240431
0055	1	BOLT	4931465944	4058546240448
0056	1	DRIVING ROLL	4931465945	4058546240455
0057	1	WASHER	4931465946	4058546240462
0058	1	SCREW	4931465947	4058546240479
0059	1	SCREW	4931465948	4058546240486
0060	1	SCREW	4931465949	4058546240493
0061	1	SLEEVE	4931436401	4002395250295
0062	1	COVER	5131000000	

Position	Quantité	Désignation	Référence	EAN
0063	1	BRACKET	4931494478	4058546470500
0065	2	NUT	4931465951	4058546240516
0068	1	WASHER	4931465952	4058546271695
0080	1	HANDLE	4931480247	4058546422622
0081	1	HOUSING	4931465954	4058546271718
0082	1	TANK	4931465955	4058546271725
0083	1	COVER	4931465956	4058546271732
0084	1	COVER	4931494479	4058546470517
0002	1	SAW CHAIN FOR M18FCHS35	4932479820	4058546376147
0003	1	GUIDE BAR 14IN/35CM M18 FCHS35	4932480172	4058546404574