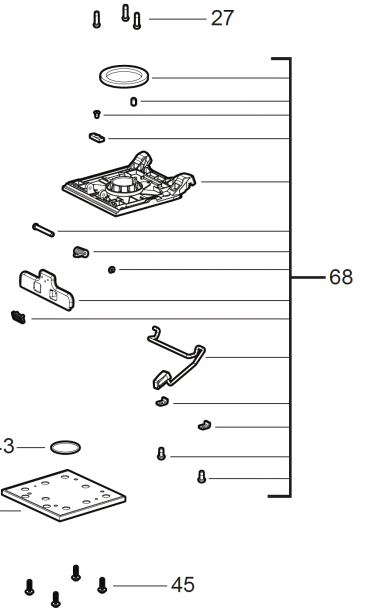
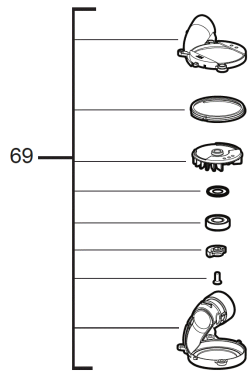
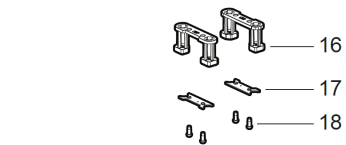
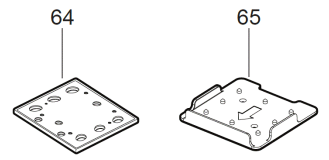
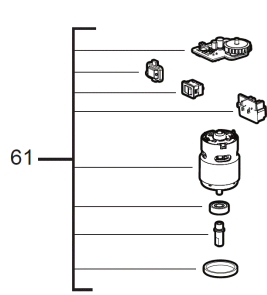
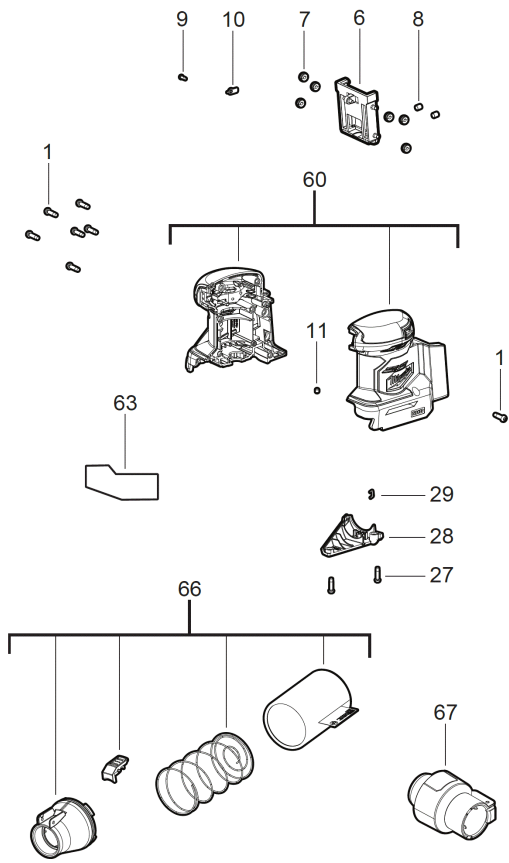


# M18BQSS-0 QUARTER SHEET SANDER XXX

4933479966 - M18BQSS-0 - 4000491411





Position	Quantity	Description	Part number	EAN
0001	8	SCREW	4931465326	4058546234263
0006	1	CONNECTION	4931494192	4058546467647
0007	6	INSULATOR	4931494193	4058546467654
0008	2	RUBBER STOP	4931453340	4002395163861
0009	1	SCREW	4931461353	4058546035259
0010	1	HOLDING PLATE	4931494194	4058546467661
0011	1	FOAM SLUG	4931494195	4058546467678
0016	2	SHOCK ABSORBER	4931494196	4058546467685
0017	2	PLATE	4931494197	4058546467692
0018	4	SCREW	4931494198	4058546467708
0027	5	SCREW	4931454381	4058546008093
0028	1	HOUSING	4931494200	4058546467722
0029	1	CLIP	4931494201	4058546467739
0043	1	O-RING	4931494202	4058546467746
0045	4	SCREW	4931494203	4058546467753
0060	1	HOUSING	4931494204	4058546467760
0061	1	ELECTRONIC	4931494205	4058546467777
0062	1	GRINDING DISK	4931494206	4058546467784
0063	1	RATING PLATE	4931494207	4058546467791
0064	1	VELCRO GRIND. PLATE	4931494208	4058546467807
0065	1	HOLE PUNCH	4931494209	4058546467814
0066	1	DUST BAG	4931494210	4058546467821
0067	1	DUST EXTR.CONNECTOR	4931494211	4058546467838
0068	1	BASE PLATE	4931494212	4058546467845
0069	1	FAN	4931494213	4058546467852