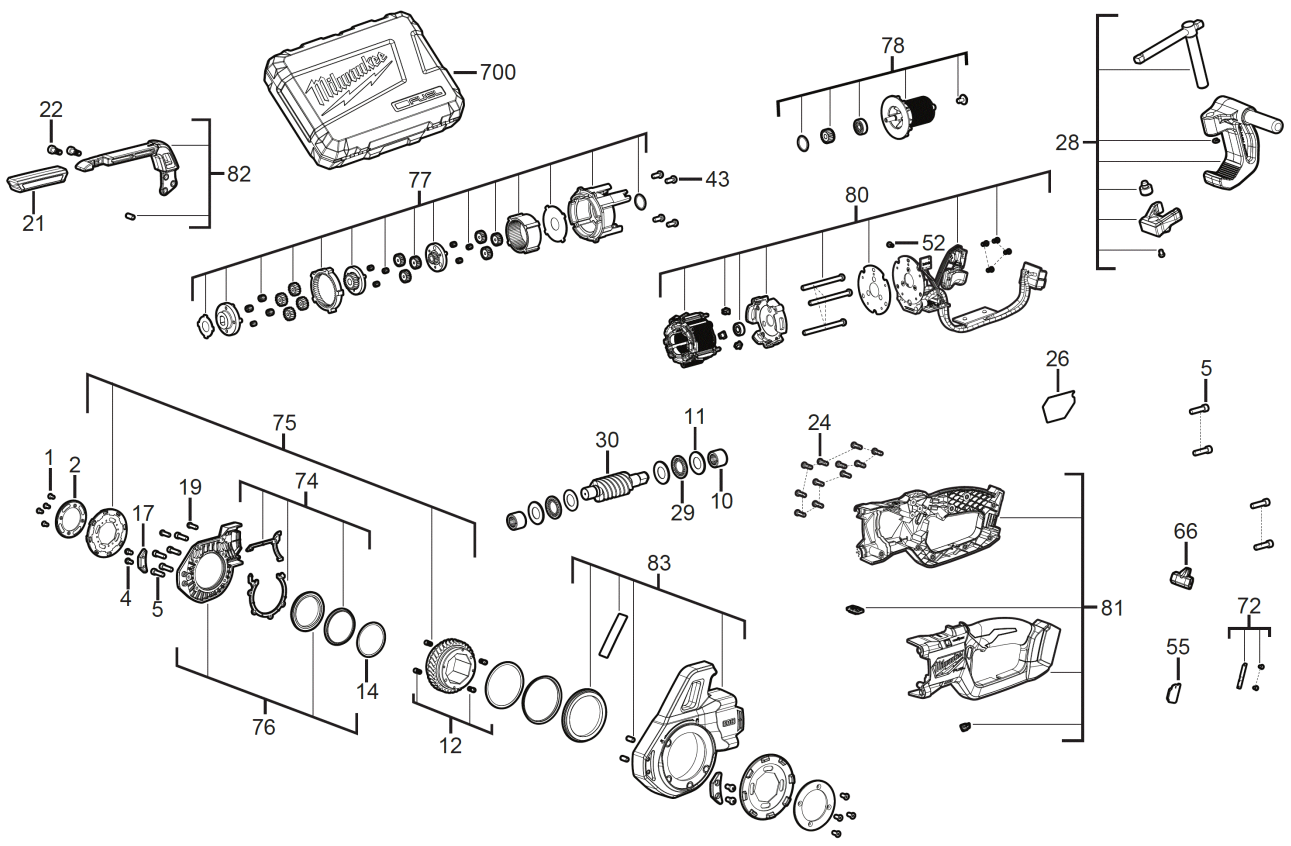


M18FPT114-0C PIPE THREADER 1 1/4in XXX

4933480220 - M18FPT114-0C - 4000491382





| Position | Quantity | Description | Part number | EAN |
|----------|----------|-----------------|-------------|---------------|
| 0001 | 8 | SCREW | 4931479164 | 4058546367329 |
| 0002 | 2 | RETAINING PLATE | 4931494230 | 4058546468026 |
| 0004 | 4 | SCREW | 4931494231 | 4058546468033 |
| 0005 | 9 | SCREW | 4931479165 | 4058546367336 |
| 0010 | 2 | BEARING | 4931494232 | 4058546468040 |
| 0011 | 4 | WASHER | 4931494233 | 4058546468057 |
| 0012 | 1 | PLUNGER | 4931494234 | 4058546468064 |
| 0014 | 2 | WASHER | 4931494235 | 4058546468071 |
| 0017 | 2 | RUBBER | 4931494236 | 4058546468088 |
| 0019 | 2 | SCREW | 4931465929 | 4058546240295 |
| 0021 | 1 | RUBBER CAP | 4931494237 | 4058546468095 |
| 0022 | 2 | SCREW | 4931494238 | 4058546468101 |
| 0024 | 11 | SCREW | 4931494239 | 4058546468118 |
| 0026 | 1 | RATING PLATE | 4931494240 | 4058546468125 |
| 0028 | 1 | CLAMPING PIECE | 4931494241 | 4058546468132 |
| 0029 | 2 | BEARING | 4931494242 | 4058546468149 |
| 0030 | 1 | PINION SHAFT | 4931494243 | 4058546468156 |
| 0043 | 4 | SCREW | 4931494244 | 4058546468163 |
| 0052 | 1 | SCREW | 4931494245 | 4058546468170 |
| 0055 | 1 | ELECTRONIC | 4931494246 | 4058546468187 |
| 0066 | 1 | SLIDER | 4931494247 | 4058546468194 |
| 0072 | 1 | COVER | 4931494248 | 4058546468200 |
| 0074 | 1 | SEAL | 4931494249 | 4058546468217 |
| 0075 | 2 | LOCKING RING | 4931494250 | 4058546468224 |
| 0076 | 1 | GEAR BOX COVER | 4931494251 | 4058546468231 |
| 0077 | 1 | GEAR BOX | 4931494252 | 4058546468248 |
| 0078 | 1 | ROTOR | 4931494253 | 4058546468255 |
| 0080 | 1 | ELECTRONIC | 4931494254 | 4058546468262 |
| 0081 | 1 | HOUSING | 4931494255 | 4058546468279 |
| 0082 | 1 | HANDLE | 4931494256 | 4058546468286 |
| 0083 | 1 | GEAR CASE | 4931494257 | 4058546468293 |
| 0700 | 1 | CARRYING CASE | 4931494258 | 4058546468309 |