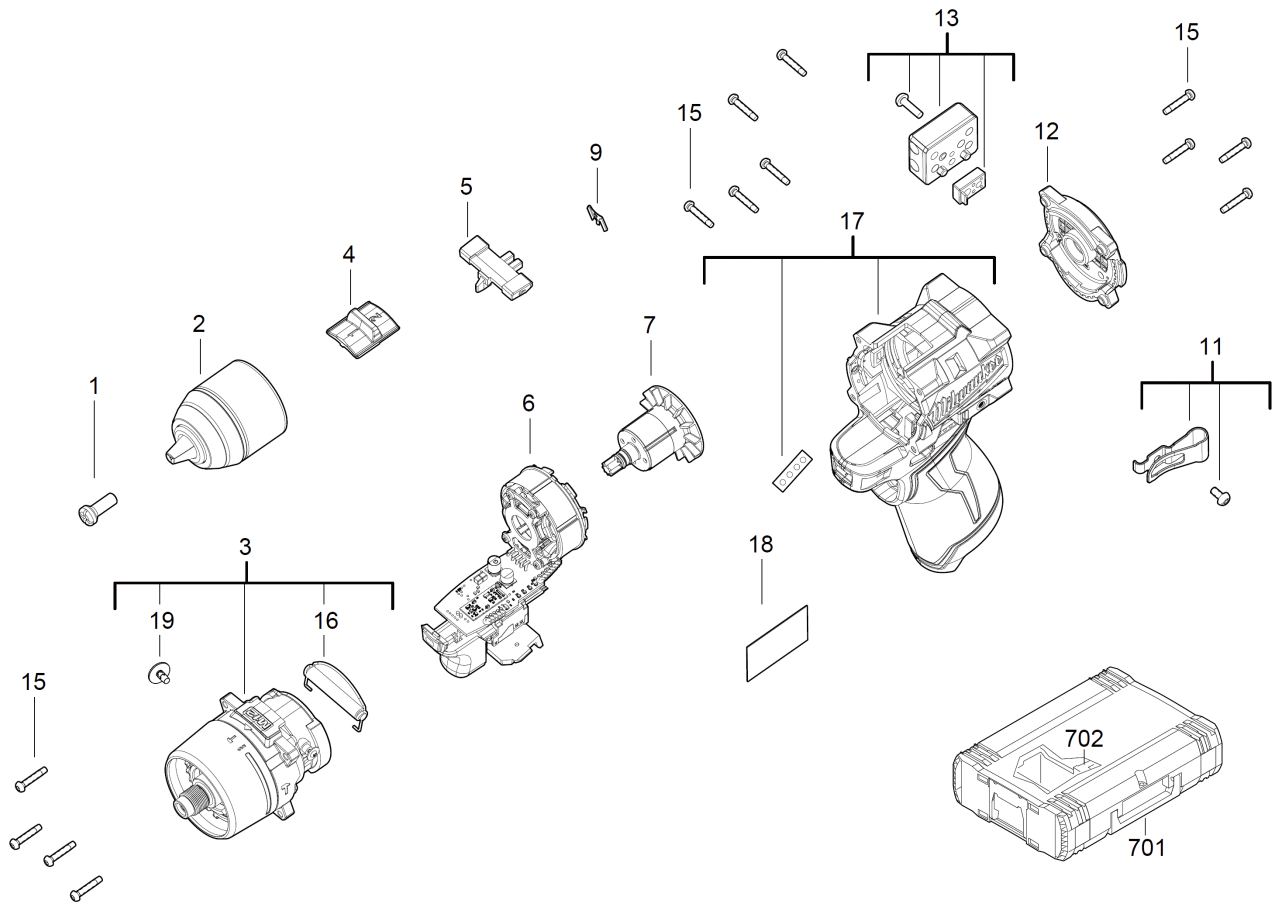


M12FPP2F2-602X FUEL POWER PACK IN2

4933480591 - M12FPP2F2-602X - 4000481337



| Position | Quantity | Description | Part number | EAN |
|----------|----------|----------------|-------------|---------------|
| 0001 | 1 | SCREW | 4931465497 | 4058546235970 |
| 0002 | 1 | CHUCK | 4931494218 | 4058546467906 |
| 0003 | 1 | GEAR BOX ASSY | 4931494228 | 4058546468002 |
| 0004 | 1 | SLIDER | 4931494220 | 4058546467920 |
| 0005 | 1 | SLIDER | 4931494221 | 4058546467937 |
| 0006 | 1 | ELECTRIC FIELD | 4931494222 | 4058546467944 |
| 0007 | 1 | MOTOR | 4931494223 | 4058546467951 |
| 0009 | 1 | CONNECTOR | 4931436292 | 4002395252909 |
| 0011 | 1 | BELT CLIP | 4931494056 | 4058546429379 |
| 0012 | 1 | CAP | 4931494224 | 4058546467968 |
| 0013 | 1 | BITHOLDER | 4931494057 | 4058546429386 |
| 0015 | 13 | SCREW | 4931465499 | 4058546235994 |
| 0016 | 1 | RACKING LEVER | 4931465508 | 4058546236083 |
| 0017 | 1 | HOUSING | 4931494225 | 4058546467975 |
| 0018 | 1 | RATING PLATE | 4931494229 | 4058546468019 |
| 0019 | 2 | SCREW | 661262001 | 4002395839858 |
| 0701 | 1 | HD Box 1 - 1pc | 4932453385 | 4002395146376 |
| 0702 | 1 | INSERT | 4931494227 | 4058546467999 |