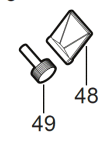
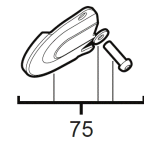
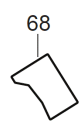
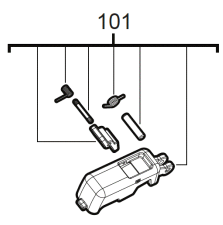
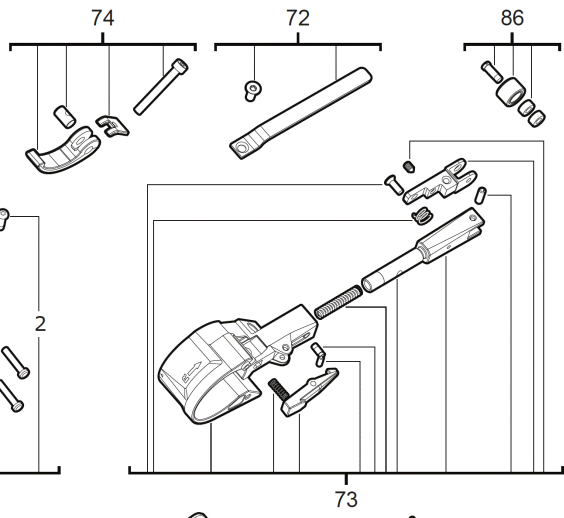
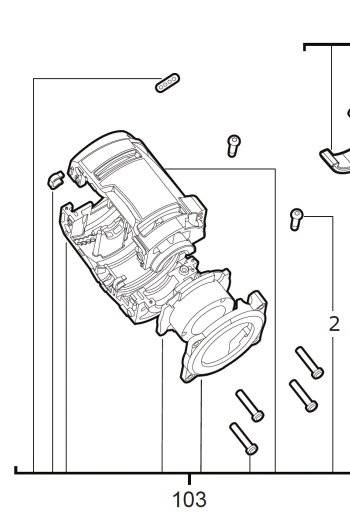
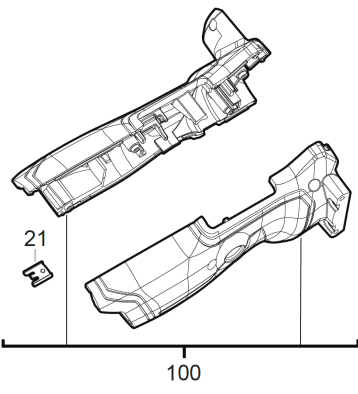
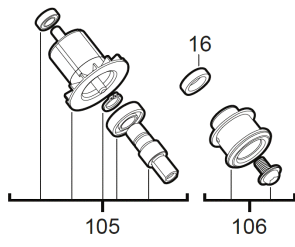
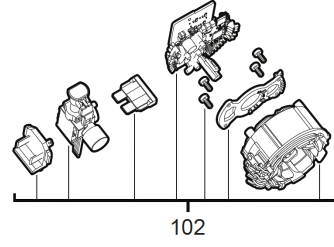
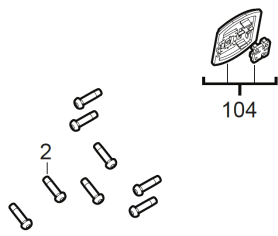


M12FBFL10-0 BANDFILE 10MM BARE XXX

4933480958 - M12FBF10-0 - 4000491922





| Position | Quantity | Description | Part number | EAN |
|----------|----------|-----------------|-------------|---------------|
| 0002 | 10 | SCREW | 660570005 | 4002395827329 |
| 0016 | 1 | FELT WASHER | 4931466154 | 4058546273712 |
| 0021 | 1 | CLIP | 4931494861 | 4058546474331 |
| 0048 | 1 | BRACKET | 4931494862 | 4058546474348 |
| 0049 | 1 | SCREW | 4931494863 | 4058546474355 |
| 0068 | 1 | RATING PLATE | 4931494864 | 4058546474362 |
| 0072 | 1 | SHOE | 4931494865 | 4058546474379 |
| 0073 | 1 | HOLDING BRACKET | 4931494866 | 4058546474386 |
| 0074 | 1 | RELEASE LEVER | 4931494867 | 4058546474393 |
| 0075 | 1 | COVER ASSY | 4931494868 | 4058546474409 |
| 0086 | 1 | BOLT SET | 4931494869 | 4058546474416 |
| 0100 | 1 | HANDLE HALF | 4931494870 | 4058546474423 |
| 0101 | 1 | TRIGGER | 4931494871 | 4058546474430 |
| 0102 | 1 | ELECTRONIC | 4931494872 | 4058546474447 |
| 0103 | 1 | MOTOR HOUSING | 4931494873 | 4058546474454 |
| 0104 | 1 | COVER | 4931494874 | 4058546474461 |
| 0105 | 1 | ARMATURE | 4931494875 | 4058546474478 |
| 0106 | 1 | DRIVE SHAFT | 4931494876 | 4058546474485 |