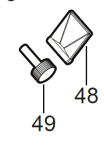
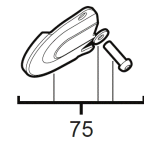
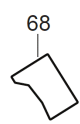
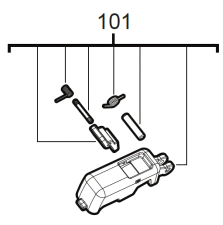
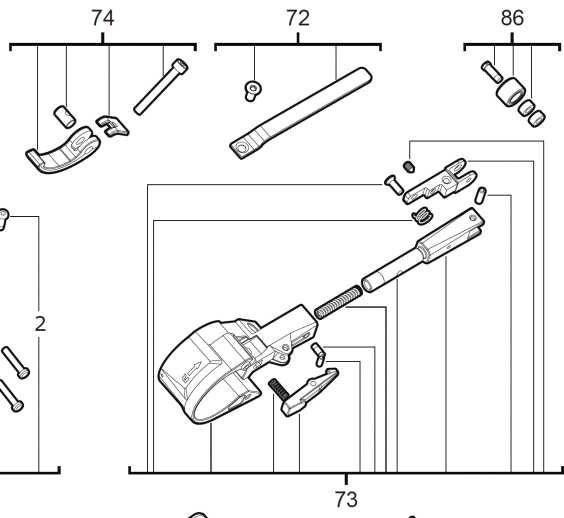
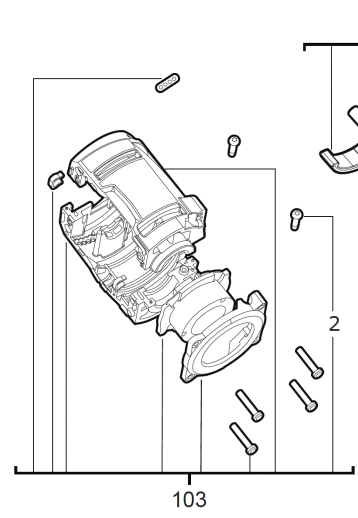
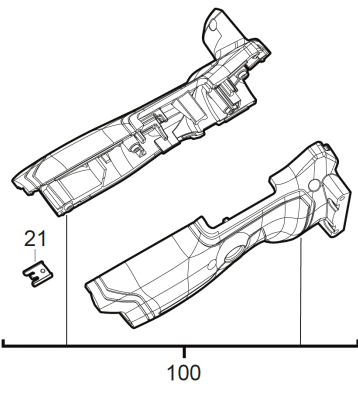
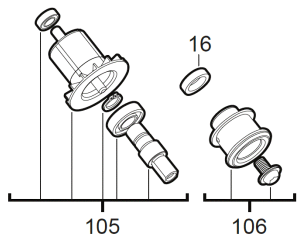
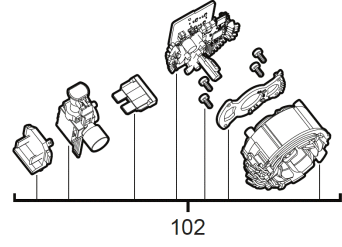
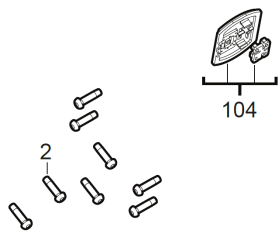


M12FBFL10-402B BANDFILE 10MM 4AH KIT IN2

4933480959 - M12FBF10-402B - 4000491922





Position	Quantity	Description	Part number	EAN
0002	10	SCREW	660570005	4002395827329
0016	1	FELT WASHER	4931466154	4058546273712
0021	1	CLIP	4931494861	4058546474331
0048	1	BRACKET	4931494862	4058546474348
0049	1	SCREW	4931494863	4058546474355
0068	1	RATING PLATE	4931494864	4058546474362
0072	1	SHOE	4931494865	4058546474379
0073	1	HOLDING BRACKET	4931494866	4058546474386
0074	1	RELEASE LEVER	4931494867	4058546474393
0075	1	COVER ASSY	4931494868	4058546474409
0086	1	BOLT SET	4931494869	4058546474416
0100	1	HANDLE HALF	4931494870	4058546474423
0101	1	TRIGGER	4931494871	4058546474430
0102	1	ELECTRONIC	4931494872	4058546474447
0103	1	MOTOR HOUSING	4931494873	4058546474454
0104	1	COVER	4931494874	4058546474461
0105	1	ARMATURE	4931494875	4058546474478
0106	1	DRIVE SHAFT	4931494876	4058546474485