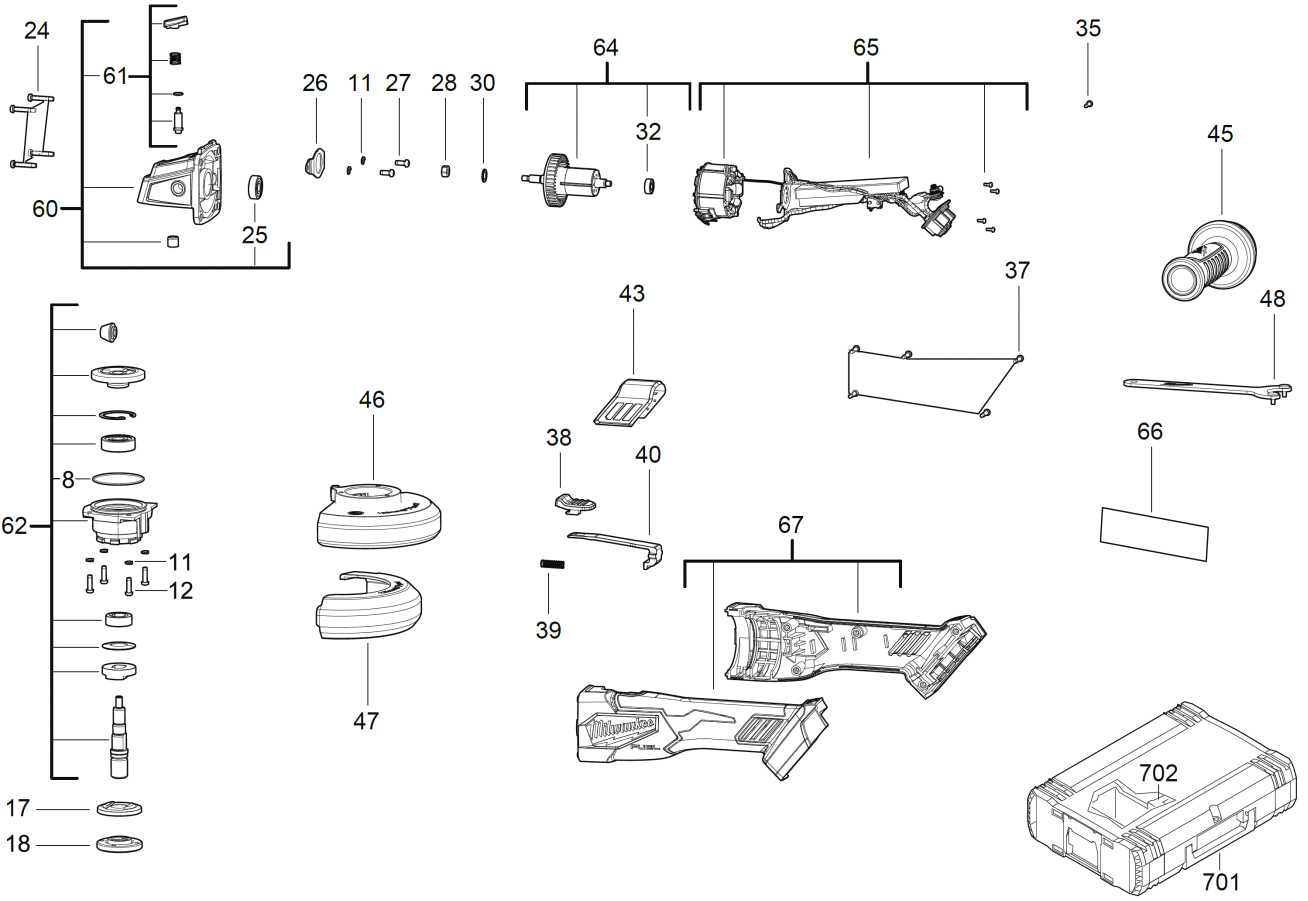


M18FPP2E3-502XEU FUEL POWER PACK IN2

4933492516 - M18FPP2E3-502XEU - 4000483056



Position	Quantity	Description	Part number	EAN
0008	1	O-RING	4931479267	4058546385828
0011	6	PROTECTION WASHER	680866003	4002395823895
0012	4	SCREW	4931435150	4002395859948
0017	1	FLANGE	4931479268	4058546385835
0018	1	FLANGE NUT	4931441309	4002395887699
0024	4	SCREW	660024024	4002395823758
0025	1	BALL BEARING	4931448373	4002395250769
0026	1	RETAINER	4931479269	4058546385842
0027	2	SCREW	660165015	4002395849826
0028	1	NUT	671686001	4002395824526
0030	1	WASHER	4931479270	4058546385859
0032	1	BALL BEARING	4931479271	4058546385866
0035	1	SCREW	4931436686	4002395258260
0037	5	SCREW	660031017	4002395825189
0038	1	SLIDER	4931479272	4058546385873
0039	1	SPRING	4931479273	4058546385880
0040	1	SLIDE	4931479274	4058546385897
0043	1	DUST CAP	4931479275	4058546385903
0045	1	AUXILIARY HANDLE	4931435002	4002395855919
0046	1	GUARD	4931479287	4058546386023
0047	1	CUTTING GUARD	4931479288	4058546386030
0048	1	WRENCH	4931479278	4058546385934
0060	1	GEAR CASE	4931479279	4058546385941
0061	1	SPINDLE LOCK	4931479280	4058546385958
0062	1	SPINDLE KIT	4931479281	4058546385965
0064	1	ROTOR	4931479282	4058546385972
0065	1	ELECTRONIC	4931479283	4058546385989
0066	1	RATING PLATE	4931479289	4058546386047
0067	1	HOUSING	4931479285	4058546386009
0701	1	HD Box 1 - 1pc	4932453385	4002395146376
0702	1	INSERT	4931479286	4058546386016