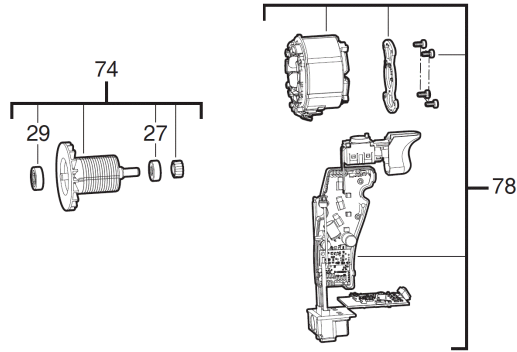
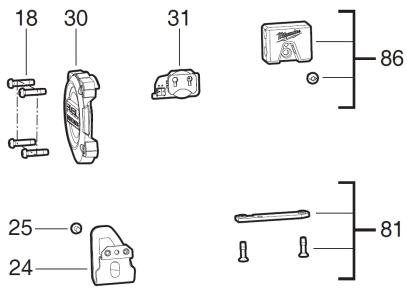
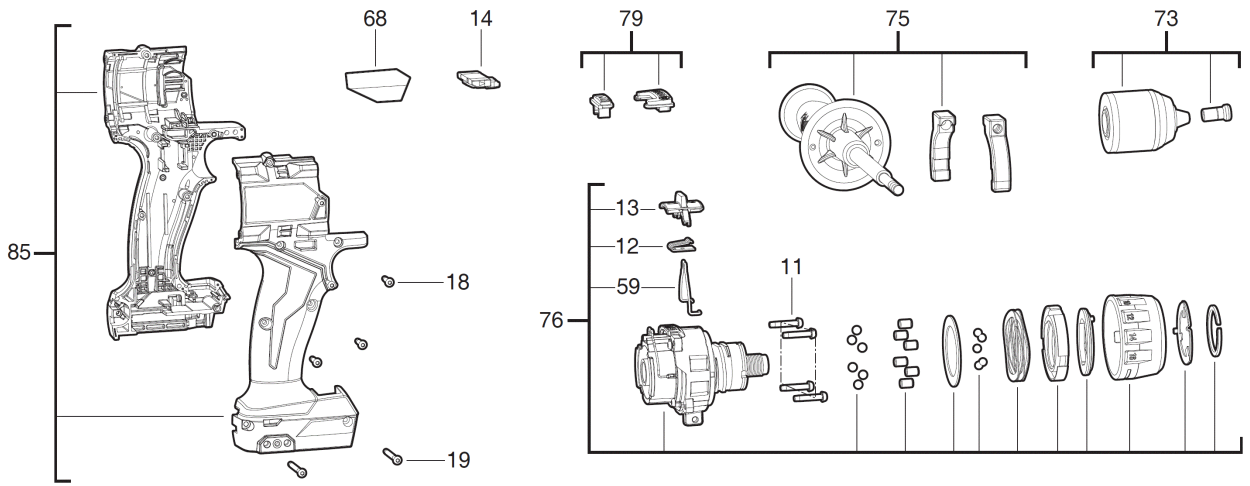


M18ONEPD3-502X PERCUSSION DRILL GEN4 IN2

4933492801 - M18ONEPD3-502X - 4000481700



Position	Quantity	Description	Part number	EAN
0011	4	SCREW	4931465984	4058546272012
0012	1	SPRING	4931494904	4058546474768
0013	1	SWITCH BUTTON	4931494905	4058546474775
0014	1	SWITCH LEVER	4931494903	4058546474751
0018	9	SCREW	4931465499	4058546235994
0019	2	SCREW	4931454852	4058546020262
0024	1	HOOK	4931436134	4002395879427
0025	1	SCREW	4931465986	4058546272036
0027	1	BALL BEARING	4931479944	4058546397074
0029	1	BALL BEARING	4931465987	4058546272043
0030	1	PROTECTIVE CAP	4931494902	4058546474744
0031	1	ELECTRONIC	4931479063	4058546366315
0059	1	SPRING	4931494906	4058546474782
0068	1	RATING PLATE	4931495403	4058546490713
0073	1	CHUCK	4931494919	4058546485870
0074	1	ARMATURE	4931494909	4058546474812
0075	1	HANDLE SET	4931494911	4058546474836
0076	1	GEAR BOX	4931494918	4058546485863
0078	1	ELECTRONIC	4931495404	4058546490720
0079	1	SWITCH	4931495400	4058546490683
0081	1	COVER ASSY	4931495395	4058546490638
0085	1	HOUSING	4931495401	4058546490690
0086	1	HOLDER	4931494914	4058546474867
0701	1	HD Box 1 - 1pc	4932453385	4002395146376
0702	1	INSERT	4931495402	4058546490706