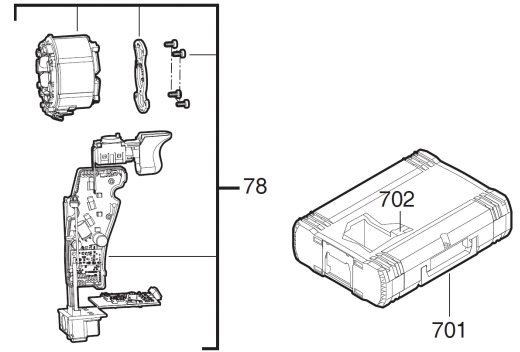
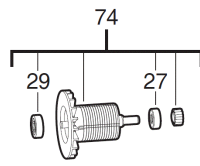
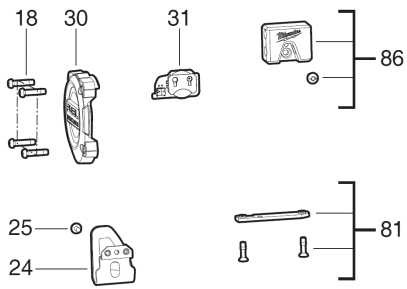
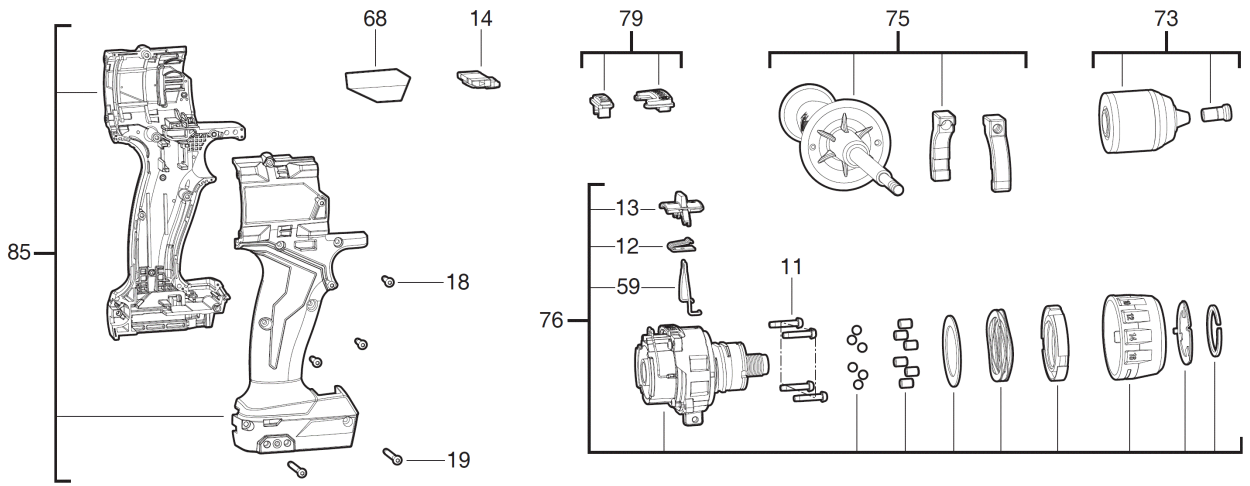


M18ONEDD3-502X DRILL DRIVER GEN4 IN2

4933492802 - M18ONEDD3-502X - 4000481692





| Position | Quantity | Description | Part number | EAN |
|----------|----------|----------------|-------------|---------------|
| 0011 | 4 | SCREW | 4931465984 | 4058546272012 |
| 0012 | 1 | SPRING | 4931494904 | 4058546474768 |
| 0013 | 1 | SWITCH BUTTON | 4931494905 | 4058546474775 |
| 0014 | 1 | SWITCH LEVER | 4931494903 | 4058546474751 |
| 0018 | 9 | SCREW | 4931465499 | 4058546235994 |
| 0019 | 2 | SCREW | 4931454852 | 4058546020262 |
| 0024 | 1 | HOOK | 4931436134 | 4002395879427 |
| 0025 | 1 | SCREW | 4931465986 | 4058546272036 |
| 0027 | 1 | BALL BEARING | 4931479944 | 4058546397074 |
| 0029 | 1 | BALL BEARING | 4931465987 | 4058546272043 |
| 0030 | 1 | PROTECTIVE CAP | 4931494902 | 4058546474744 |
| 0031 | 1 | ELECTRONIC | 4931479063 | 4058546366315 |
| 0059 | 1 | SPRING | 4931494906 | 4058546474782 |
| 0068 | 1 | RATING PLATE | 4931495398 | 4058546490669 |
| 0073 | 1 | CHUCK | 4931494915 | 4058546474874 |
| 0074 | 1 | ARMATURE | 4931494909 | 4058546474812 |
| 0075 | 1 | HANDLE SET | 4931494911 | 4058546474836 |
| 0076 | 1 | GEAR BOX | 4931494908 | 4058546474805 |
| 0078 | 1 | ELECTRONIC | 4931495399 | 4058546490676 |
| 0079 | 1 | SWITCH | 4931495400 | 4058546490683 |
| 0081 | 1 | COVER ASSY | 4931495395 | 4058546490638 |
| 0085 | 1 | HOUSING | 4931495401 | 4058546490690 |
| 0086 | 1 | HOLDER | 4931494914 | 4058546474867 |
| 0701 | 1 | HD Box 1 - 1pc | 4932453385 | 4002395146376 |
| 0702 | 1 | INSERT | 4931495402 | 4058546490706 |